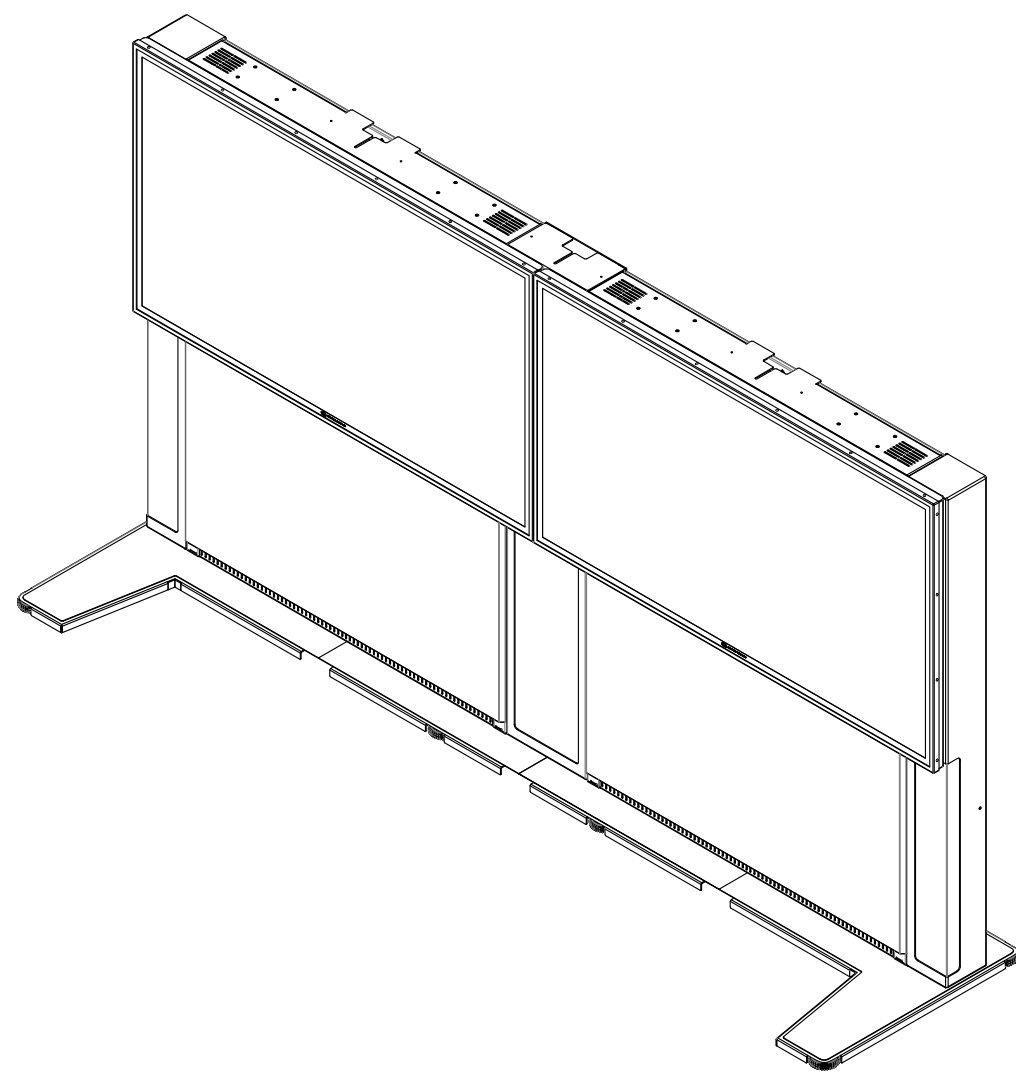
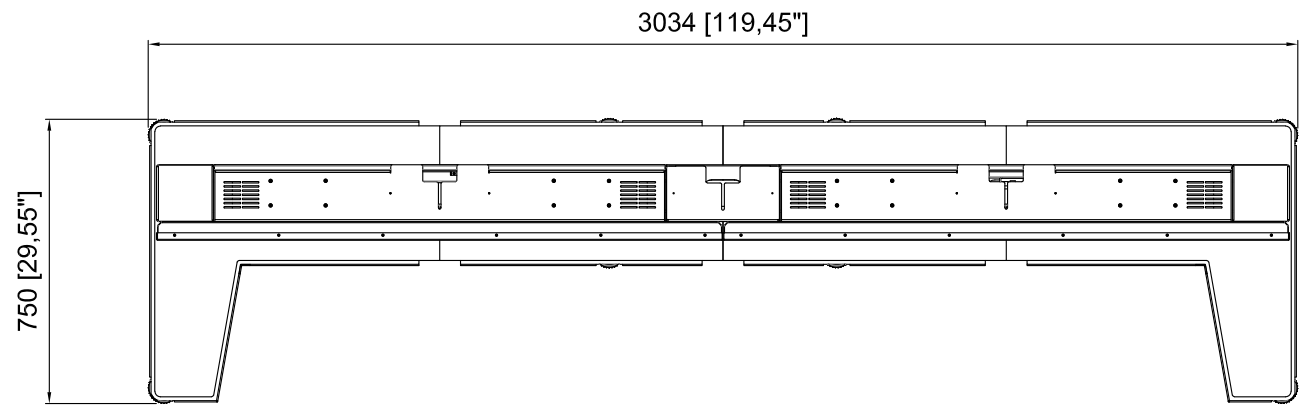
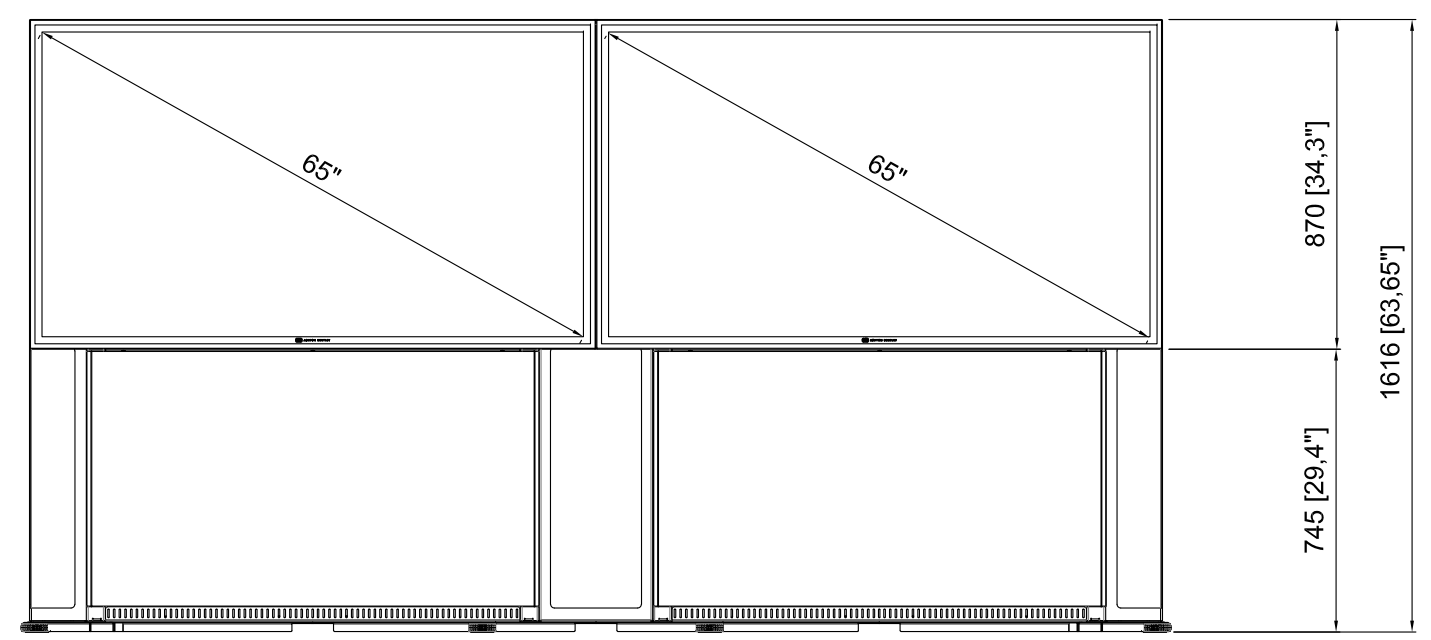
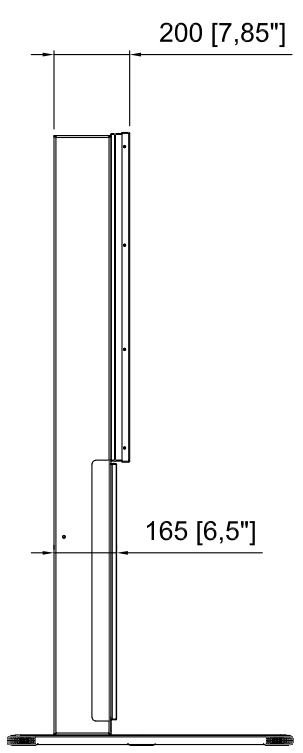


6	7	8
CHANGE No	REV	DESCRIPTION
	01	ORIGINAL
	02	ADDED DIMENSIONS & DRAWING NUMBER
		DRAWN
		DATE
		JR
		03-12-2018
		JR
		30-07-2019



ISOMETRIC VIEW



DO NOT SCALE DRAWING. SCALE NOTE(S) ARE SCALE REFERENCES RELATIVE TO MAIN VIEW ONLY AND MAY NOT REFLECT ACTUAL PART SIZE ON DRAWING. REMOVE SHARP EDGES UNLESS SPECIFIED.

THIS DOCUMENT AND ALL ASPECTS OF ITS CONTENTS ARE PROTECTED BY COPYRIGHT LAW AND MAY NOT BE REPRODUCED IN ANY MANNER, OR FOR ANY PURPOSE, EXCEPT BY WRITTEN PERMISSION OF ASHTON BENTLEY GROUP LTD, THE COPYRIGHT HOLDER.

**ASHTON BENTLEY GROUP LTD.**  
23 SCHOONER PARK, SCHOONER COURT, CROSSWAYS BUSINESS PARK, DARTFORD, KENT, DA2 6NW UNITED KINGDOM

THE ITEMS DETAILED IN THIS DRAWING ARE PART OF AN ASHTON BENTLEY PRODUCT WHICH IS PROTECTED UNDER UK PATENT NO. GB2502100

DRAWN BY:	DATE:
J ROWE	30-07-2019
APPROVED BY:	DATE:
R MCARDELL R VINTON	30-07-2019 30-07-2019
THIRD ANGLE PROJECTION:	

TITLE:	ab265 Freestanding Base
DRAWING NUMBER:	740-00045
SOFTWARE:	SOLIDWORKS 2017 - AUTOCAD LT 2017
DRAWING SIZE:	A3
USED ON:	
SHEET:	1 OF 1
REV:	02

MATERIAL:	PROTECTIVE FINISH:	SURFACE ROUGHNESS:	DIMENSIONS IN:
---	---	---	MM
		STATIC WEIGHT:	TOLERANCES:
		---	(UNLESS STATED)
			SCALE:
			1:20

A  
B  
C  
D  
E