

1

2

3

4

5

6

7

8

| CHANGE No | REV | DESCRIPTION | DRAWN | DATE |
|-----------|-----|-----------------------------------|-------|------------|
| | 01 | ORIGINAL | AM | 19-10-2017 |
| | 02 | ADDED DIMENSIONS & DRAWING NUMBER | JR | 30-07-2019 |

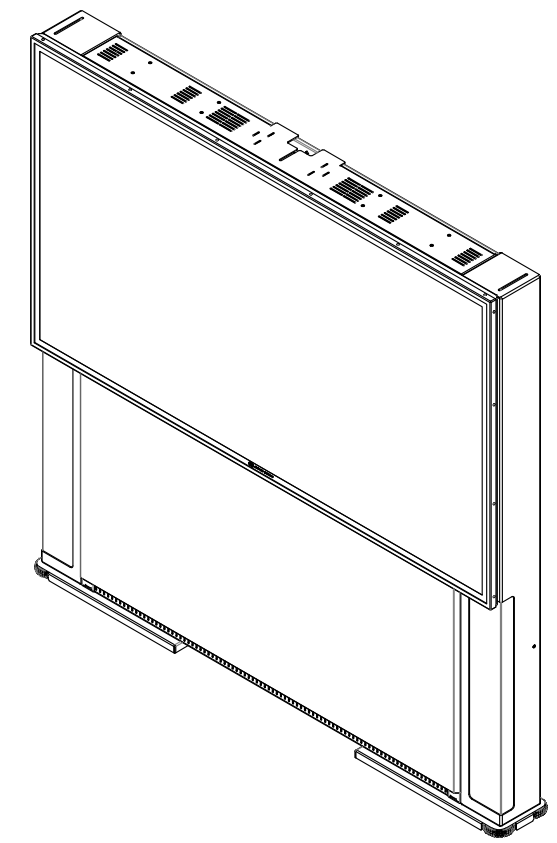
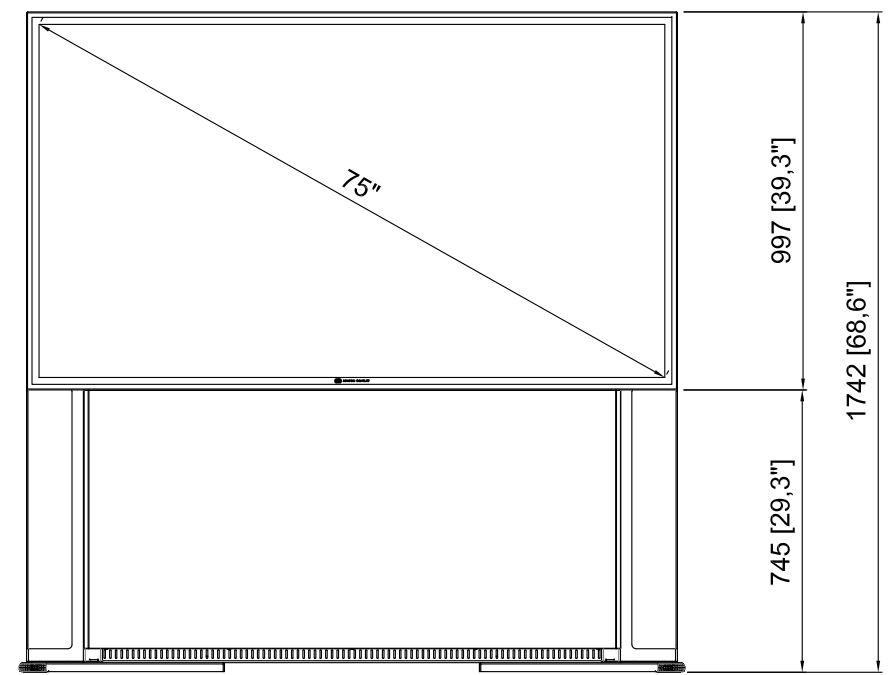
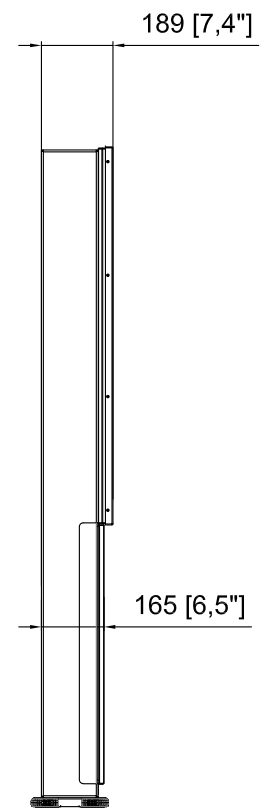
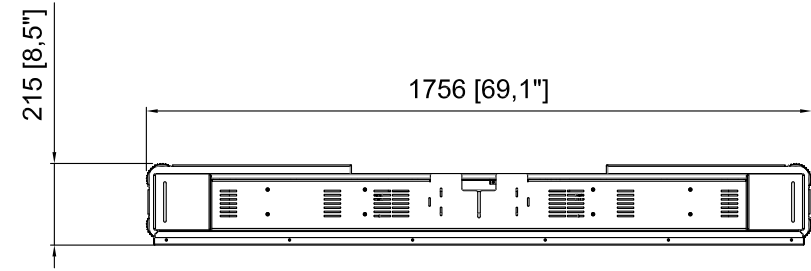
A

B

C

D

E



DO NOT SCALE DRAWING. SCALE NOTE(S) ARE SCALE REFERENCES RELATIVE TO MAIN VIEW ONLY AND MAY NOT REFLECT ACTUAL PART SIZE ON DRAWING. REMOVE SHARP EDGES UNLESS SPECIFIED.

THIS DOCUMENT AND ALL ASPECTS OF ITS CONTENTS ARE PROTECTED BY COPYRIGHT LAW AND MAY NOT BE REPRODUCED IN ANY MANNER, OR FOR ANY PURPOSE, EXCEPT BY WRITTEN PERMISSION OF ASHTON BENTLEY GROUP LTD, THE COPYRIGHT HOLDER.

ASHTON BENTLEY GROUP LTD.
23 SCHOONER PARK, SCHOONER COURT, CROSSWAYS BUSINESS PARK, DARTFORD, KENT, DA2 6NW UNITED KINGDOM

| | | | |
|-----------|--------------------|--------------------|-----------------------------|
| MATERIAL: | PROTECTIVE FINISH: | SURFACE ROUGHNESS: | DIMENSIONS IN: MM |
| --- | --- | --- | TOLERANCES: (UNLESS STATED) |
| | | STATIC WEIGHT: | --- |
| | | | SCALE: 1:20 |

| | |
|-------------------------|--------------------------|
| DRAWN BY: | DATE: |
| J ROWE | 30-07-2019 |
| APPROVED BY: | DATE: |
| R MCARDELL R VINTON | 30-07-2019 30-07-2019 |
| THIRD ANGLE PROJECTION: | |

| | |
|------------------|-----------------------------------|
| TITLE: | ab175 Slimline Base |
| DRAWING NUMBER: | 740-00040 |
| SOFTWARE: | SOLIDWORKS 2017 - AUTOCAD LT 2017 |
| DRAWING SIZE: A3 | USED ON: |
| SHEET: 1 OF 1 | REV: 02 |