

Overview

Technology enabled tables that integrate seamlessly with the Ashton Bentley range of display systems.

This combination provides a very easy to use complete collaboration space that is simple to deploy in any room, and very intuitive to use.

Removing the frustration often found with tables covered in cables and other technology.

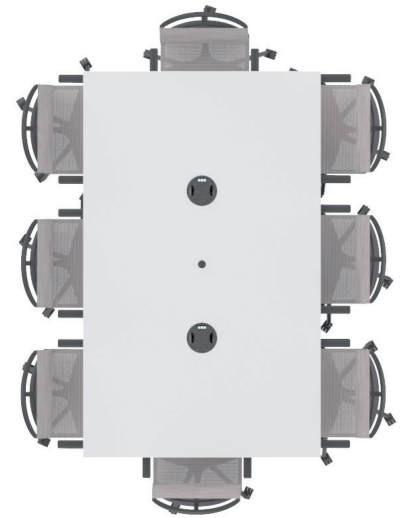


Shaped table with Single 65" display. Showing integrated table box and cable grommet

Key Features

- Simple and quick to assemble
- Reduce surface clutter with concealed power and connectivity
- Under table connectivity hub (**interface**) for laptops, microphones, network (with POE) and USB. Easily add VoIP phones or Touch Panels with no additional cables
- Cable retractors for laptop inputs. Concealed when not in use
- Choice of laptop connectivity and simple button selection
- Cable management with discreet surface grommets for phones, touch panels and microphones

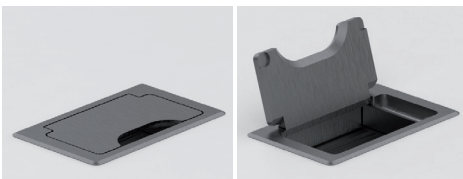
- Only one CAT6A cable to connect table to the display



Optimised for Video

The Ashton Bentley range of 'shaped' tables have been designed to make sure most people are on camera for video calls. Plus able to view the displays and still engage with others across the table.

Table Options



Cable Access

Small rectangular table box with hinged lid to allow cables (such as laptop and mobile power) to be neatly passed through the table surface to the sockets in the table legs. Reduce table clutter.



Chairs

An optional range of chairs and stools in various colours are available, manufactured by Sedus from Germany. Height options:

- Standard
- High Stool



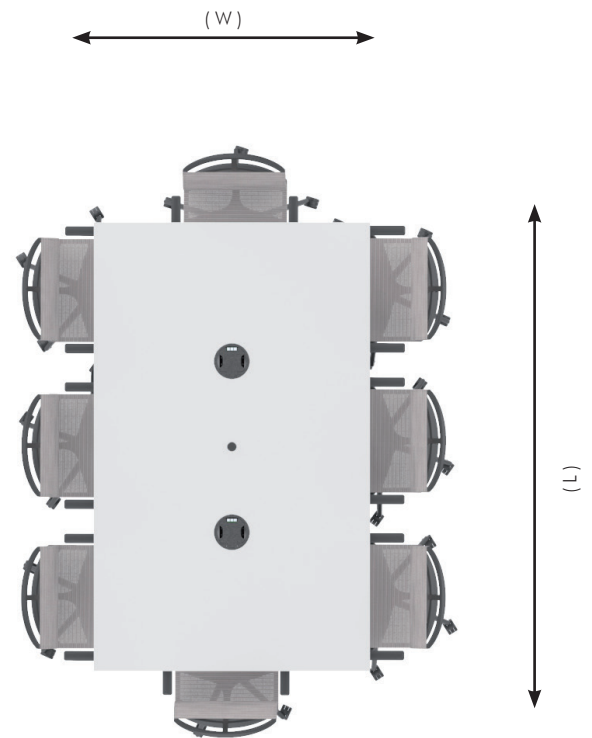
Custom Finish Options

Our standard colour is black/white
We can supply custom:

- Leg colours
- Table surface finish

What You Get

- Table surface with cable grommets and cut-outs for table boxes
- Standard hard-wearing matt white surface for reduced glare from overhead lights
- Legs with mains power and USB charging, and receptacle for laptop power supply
- Table boxes in table surface with all mechanics and cables concealed within the table legs.
- Adjustable feet for uneven floors
- Cable access into table legs at floor level or from below



Tablebox & Retractors

We simplify the user experience by removing complicated controls and connectivity that often delay meetings. The table boxes conveniently located table box, with cable retractors for laptop inputs and simple button panel, is connected to the **abox** in the chassis.

Connect your laptop and the system turns on automatically. Want to see another laptop, aux input or take a call, then just press a button.

Cables & Hardware

- All internal cables are supplied
- Retractors for laptop inputs are supplied, with any combination of VGA, HDMI, DisplayPort and MiniDP. USB-C coming soon.

Mechanical Data

Overall Dims (Excluding Chairs)	(H) 740mm (W) 1290mm (L) 2100mm
Recommended Room Space (Minimum)	(W) 3500mm (L) 4650mm
Weight	53kg
Warranty	3 Year

Power Data

Mains power required to supply the mains and USB charge sockets in the table legs.

Mains sockets available for most country power supplies.