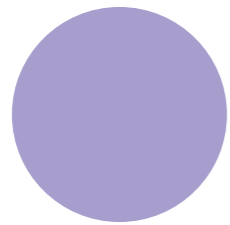


TTP6

Telepresence Table For 6. Assembly Guide



Please read before proceeding.

Before proceeding with assembly, connection, and operation, please ensure that you read this document fully, and any additional documentation that may be included with the product.

Please keep this Assembly Guide for future reference.

We have tried to make this Assembly Guide as simple as possible to follow, however we are always keen to improve. So if you find anything that is not clear or inaccurate, please let us know by sending your suggestions to: support@ashtonbentley.com.

Trademark Information

Ashton Bentley®, and the names and marks associated with Ashton Bentley Group Limited's products, are trademarks and/or service marks of Ashton Bentley Trading Limited, and are registered and/or common law marks in the United Kingdom and various other countries. All other trademarks are property of their respective owners.

Patent Information

The accompanying product is protected by one or more UK, EU, US, and foreign patents and/or pending patent applications held by Ashton Bentley Trading Limited.

No part of this documentation may be reproduced or transmitted in any form or by any means, electronic or mechanical, for any purpose, without the express written permission of Ashton Bentley Trading Limited. Under the law, reproducing includes translating into another language or format. As between the parties, Ashton Bentley Trading Limited retains title to and ownership of all proprietary rights with respect to the software contained within its products.

Any software is protected by copyright laws and international treaty provision. Therefore, the software must be treated like any other copyrighted material (e.g., a book or sound recording).

Every effort has been made to ensure that the information in this manual is accurate. Ashton Bentley Trading Limited is not responsible for printing or clerical errors. Information in this document is subject to change without notice.

www.ashtonbentley.com

23 Schooner Court, Crossways Business Park, Dartford, DA2 6NW, United Kingdom.

© 2024 Ashton Bentley Trading Limited All rights reserved

1. Important Safety Information

Telepresence Table For 6.

Assembly Guide

Important safety information.

General

The following information and precautions should always be followed to reduce the risk of damage or injury. If in any doubt about installation, operation or maintenance please contact your vendor or Ashton Bentley.

- Follow all warnings and instructions in this document and marked on the equipment.
- Allow plenty of space in the construction area.
- Only operate the system indoors, in a dry environment.
- Always use suitable cable management or install cables under a raised floor to avoid trip hazards.
- Do not block or cover any vents on the products.

Displays, Chassis and Tables.

As some parts are large and heavy, we recommend a two-person assembly. If tethering a Chassis to a wall using the supplied Ashton Bentley Wall Brackets, ensure the wall is solid, stable, and that suitable fixings (not provided) are used.

Recommendations and warnings.

Symbols are used where extra attention is required. For example, if an item is heavy and requires a minimum number of personnel.



Electrical.

If the incoming mains electrical feed is unstable or prone to transient input voltage spikes of more than 1KV, we recommend the use of a surge protector connected to the power input cable.

If any of the following are noticed, then do not use the product until everything is back to a fully safe state:

- Damaged power cables, plugs, power supplies/adapters, extension cords or surge protectors
- Signs of overheating, such as smoke, sparks, or fire.
- Signs of liquid ingress or an object that has fallen onto the electronic elements of the product, the power cable, or the power supply/adapter.

Note:

Never wrap a power cable around a power supply/adapter or other object. Always route power cables so that they will not be walked on, tripped over, or pinched by objects.

Do not use any power supply/adapter that shows corrosion at the ac input pins or shows signs of overheating (such as deformed plastic).

The power cable and supply/adapter provided with this product are intended to be used with this product only. Do not use them with any other products. The use of 3rd party power supplies/adaptors will invalidate the warranty.

Do not use the system, disconnect any cables, perform installation, maintenance, or reconfiguration of this product during an electrical storm.

Any product not supplied by Ashton Bentley should not be used if any of the above or other faults are experienced. Immediately disconnect from the Ashton Bentley product, along with the power supply and contact the product manufacturer for further instructions, or until a suitable replacement can be made.

2. Product Components

Telepresence Table For 6.

Assembly Guide

Product Components.

The product is supplied in one or more boxes. Depending on your Tablebox configuration there will be a combination of the following boxes listed below.

TP Table Leg (with 1 x Dual Power Outlets & USB Charging) (Part No. 900-00567)

*Four legs supplied

1x	Slim Table Leg Upright (Small) Assembly	810-00282
1x	Slim Table Leg Cover (TP) Assembly	810-00284
1x	TP Leg Blanking Plate	430-00658
1x	Power Socket Module (Region Specific)	



Top Plate for TP End Leg Assembly (Part No. 900-00621)

2x	TP Table Leg Top Plate Assembly	431-00171
1x	TP Modesty Panel Side Bracket Assembly	810-00315
1x	General Table Assembly Fixings Kit	820-00034



Top Plate for TP Middle Leg Assembly (Part No. 900-00644)

2x	Slim Table Leg Middle Top Plate (TP) Assembly	810-00304
1x	TP Modesty Panel Side Bracket Assembly	810-00316
1x	General Table Assembly Fixings Kit	820-00034
1x	Table Surface Joining Kit	820-00035



Vanity Panel Kit for Single Section of TP tables (Part No. 900-00623)

3x	TP Modesty Panel	431-00171
----	------------------	-----------



TP6 Three Section 6 Seat Table Surface (Part No. 900-00619)

1x	Centre Table Surface Section	431-00145
1x	Left Table Surface Section	431-00145
1x	Right Table Surface Section	431-00145
5x	39mm Circular Cable Grommet	432-00016



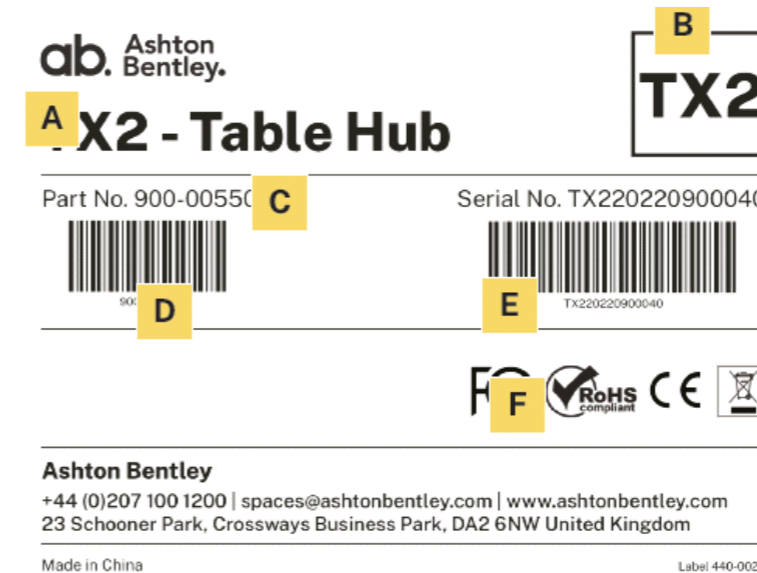
TP6 Vanity Panel Bracket Kit (Part No. 900-00622)

3x	TP Cable Tray	430-00693
3x	TP Modesty Panel -Lower Mounting Plate	431-00171
3x	TP Modesty Panel Long Bracket	430-00696
8x	AB Female Knob	432-00008
5x	AB Male Knob	432-00009



Each box will have a label attached that identifies what it contains, plus some additional information. Some labels have more details than others depending on contents.

A sample label looks like this:



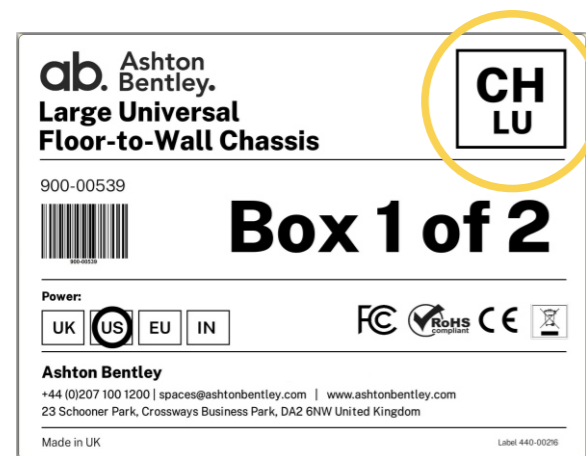
- A: Product Description
- B: Box ID
- C: Part Number
- D: Part Number Barcode
- E: Serial Number Barcode (if applicable)
- F: Compliance & Conformity

3. How to use this Assembly Guide

How to use this Assembly Guide.

Product Components

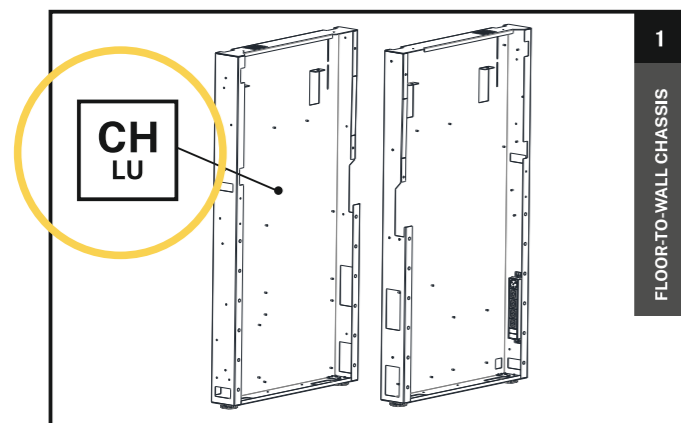
The product is supplied in several boxes. Each box has a label that contains information about the contents and a Box ID which can be located as shown below:



Box ID

Box ID is referenced in the instructions so you can locate the parts required at that point of assembly.

For example, in the instructions:



AB Knobs

The product is assembled using AB Knobs that are designed to be tightened by hand. Always ensure all knobs are secure before proceeding to the next step.

Some parts require particular attention, and these are indicated as follows:



Important instruction

The following symbols show the correct procedure.

Incorrect



Correct



4. Pre-Installation

Telepresence Table For 6.

Assembly Guide

Notes.

Make sure the work area is clear and safe. Wear any appropriate PPE.

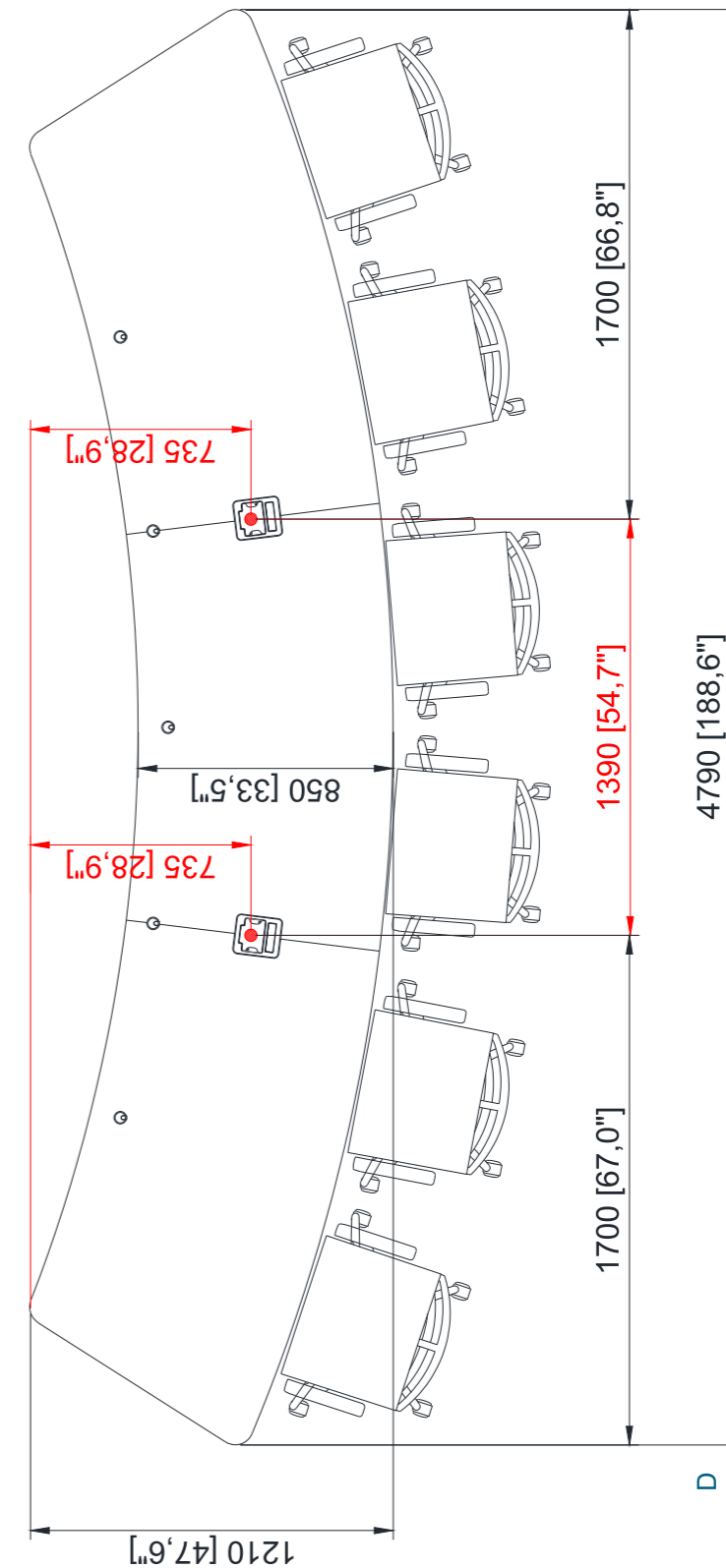
Check if any items are heavy and require more personnel.

If using any power tools, follow all safety protocols.

If integrating with any other manufactures products make sure that these are set-up according to the manufacturer's instructions.

Ensure that any local electrical codes are followed.

Floor Grommet Placement Dimensions.

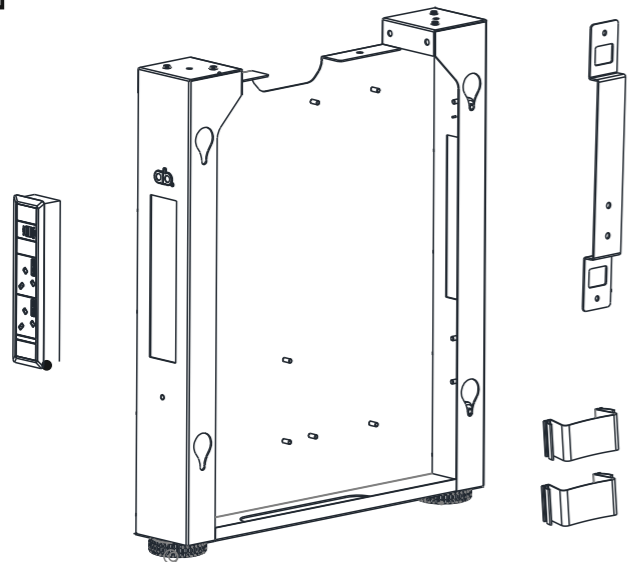


5. Assembly

Telepresence Table For 6.

Assembly Guide

TL-TP



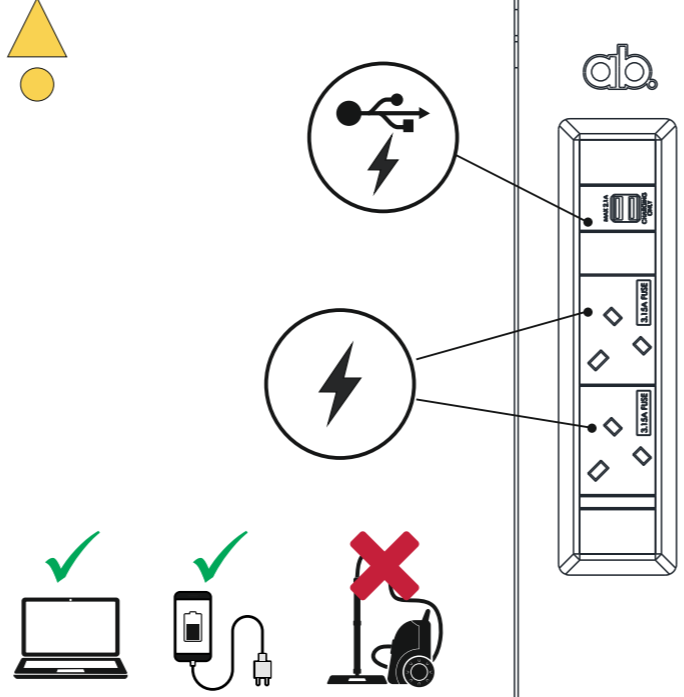
1

LEGS AND POWER BLOCKS

x4 Legs

NOTE: Power Blocks, Clips & Bracket supplied with legs

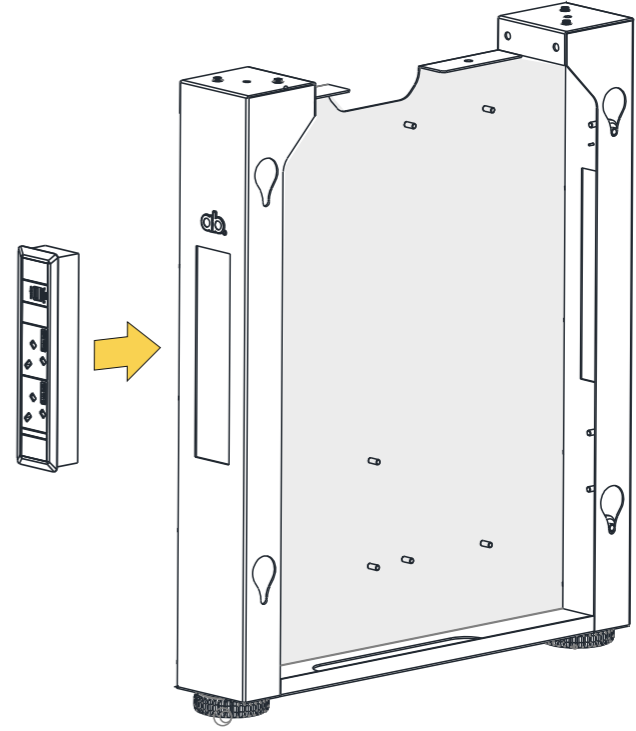
TOP



1a

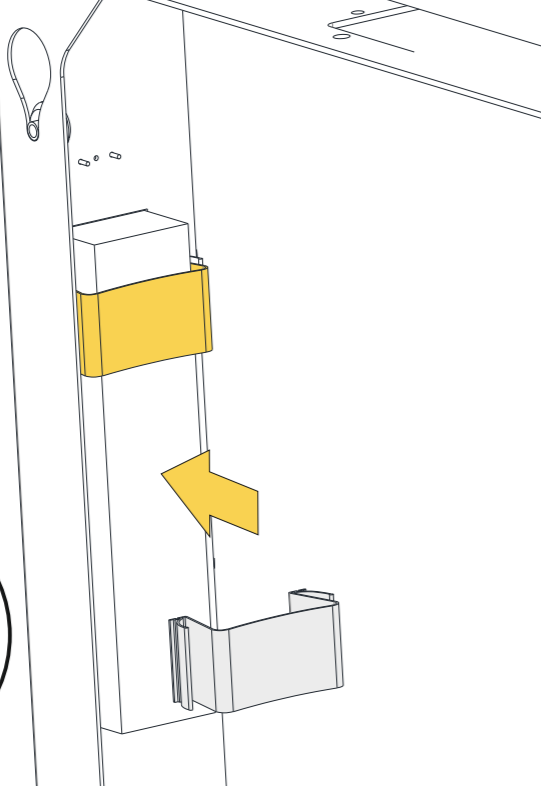
POWER ORIENTATION

Icons: Laptop with green checkmark, smartphone with green checkmark, wheelchair with red X.



1b

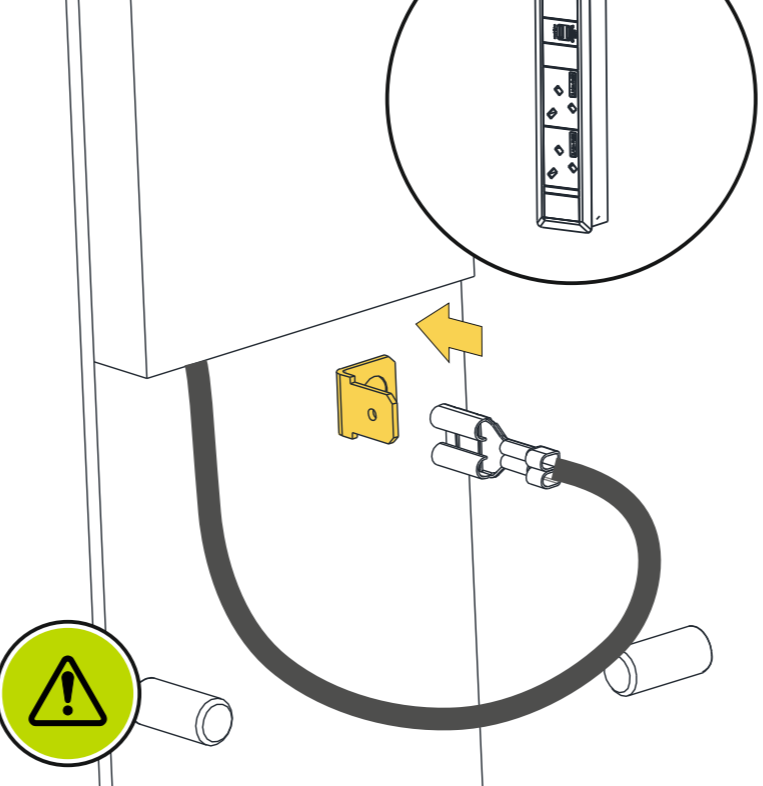
POWER BLOCK INSTALL



1c

SECURING PWR BLOCK

x2

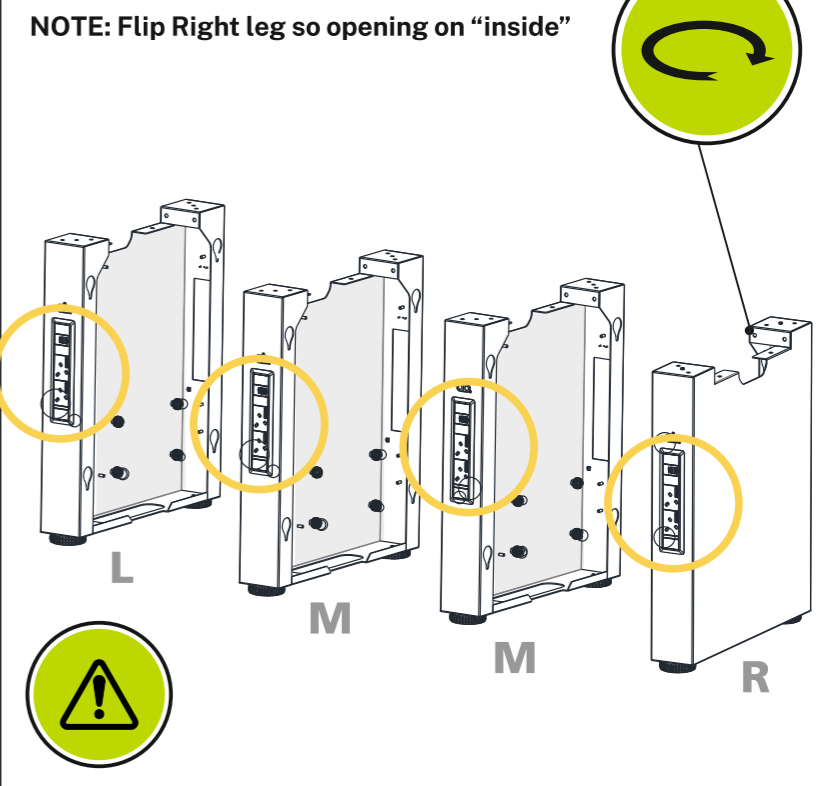


1d

EARTH TAG

x4

NOTE: Flip Right leg so opening on "inside"

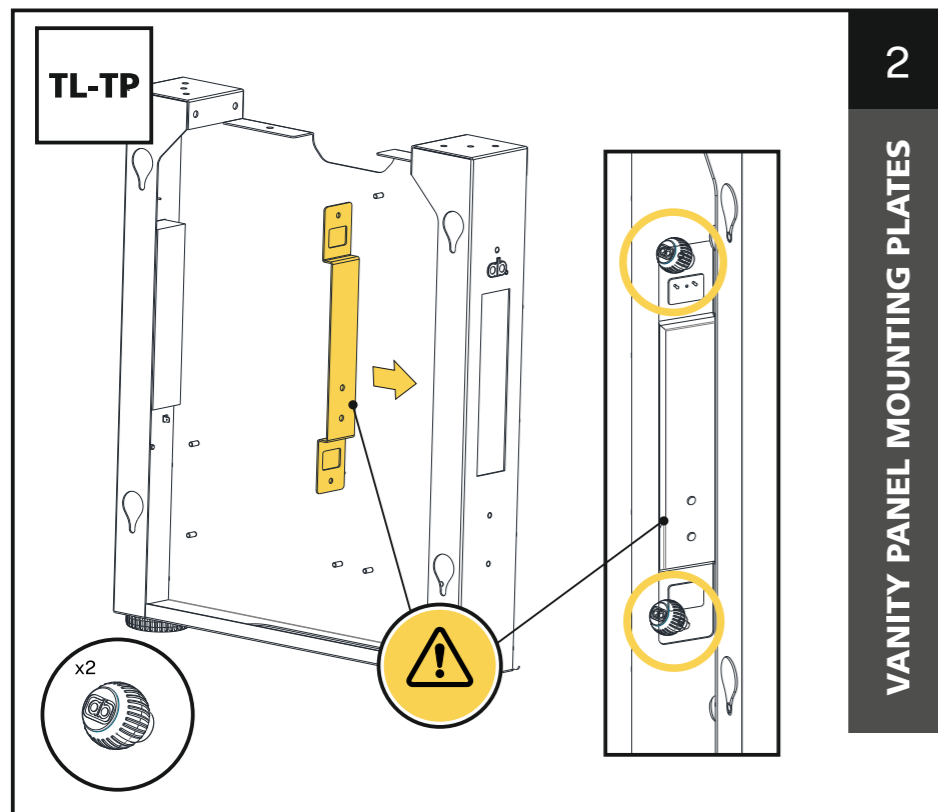


1e

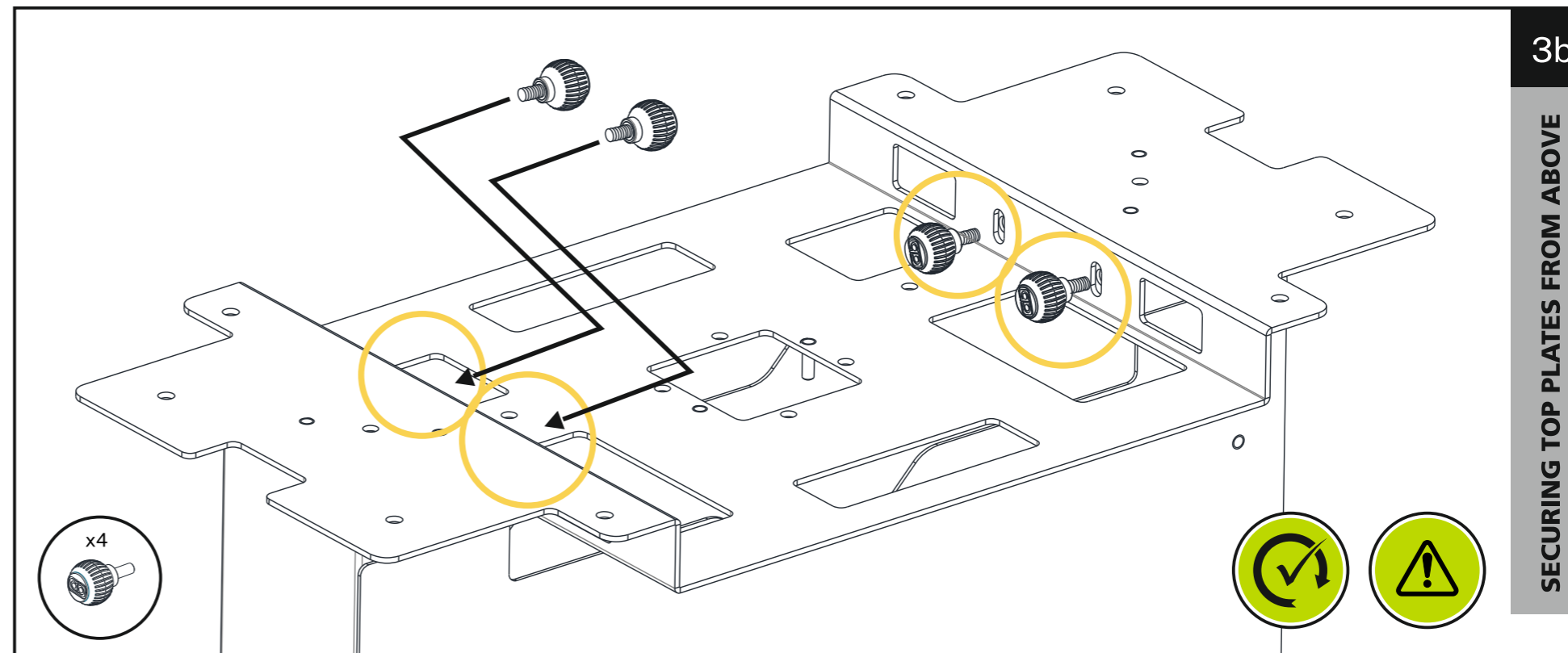
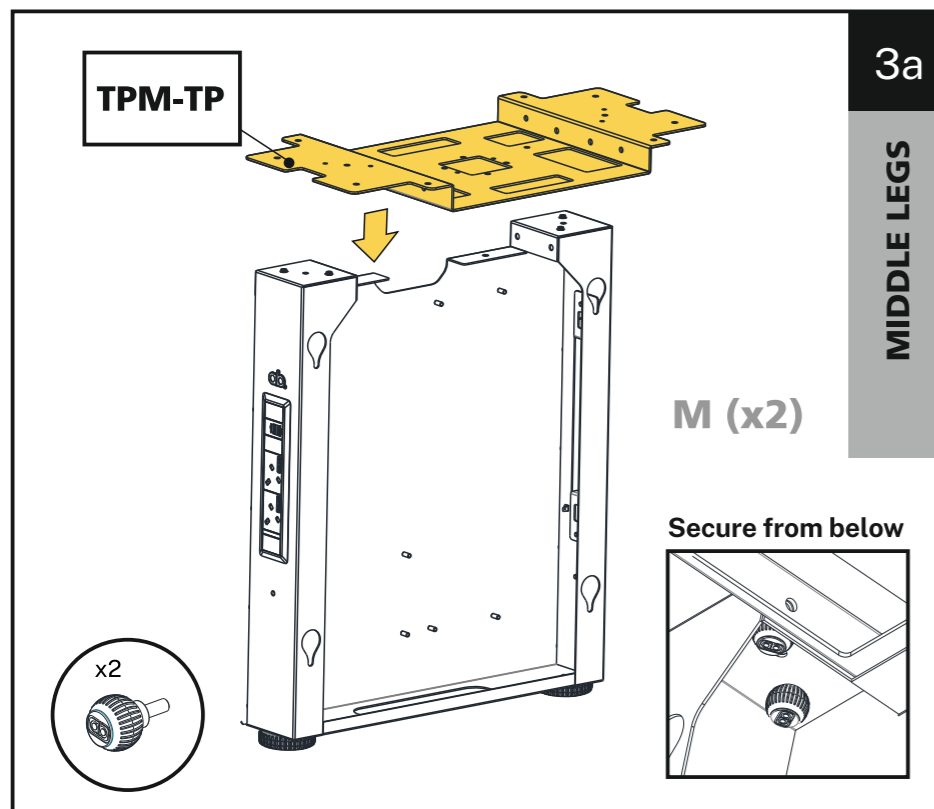
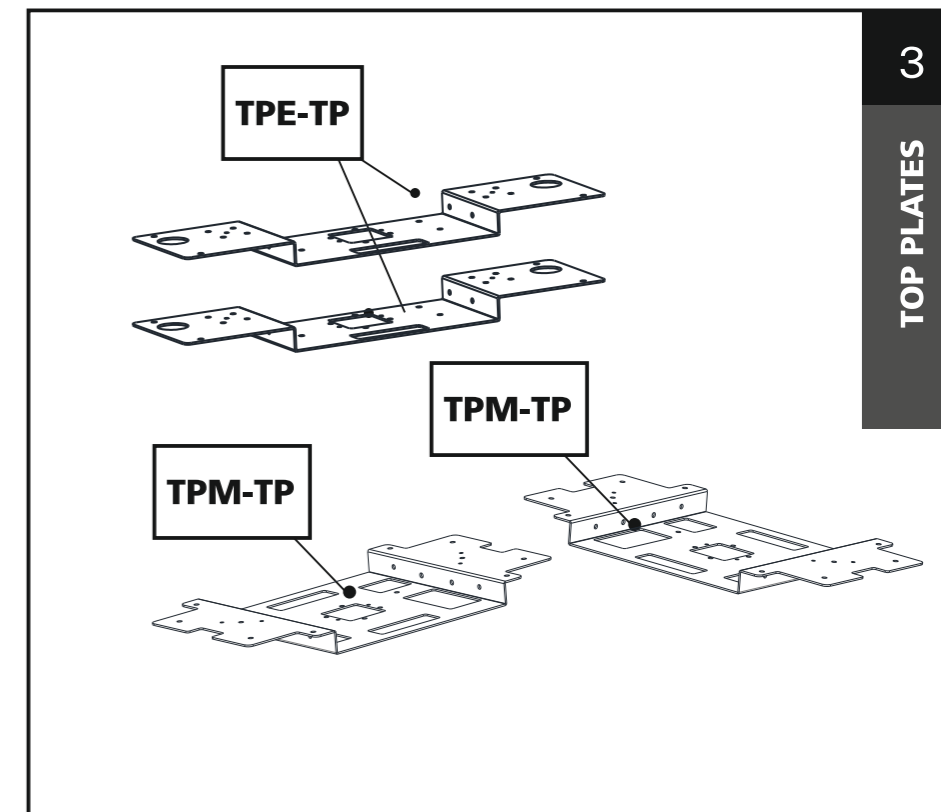
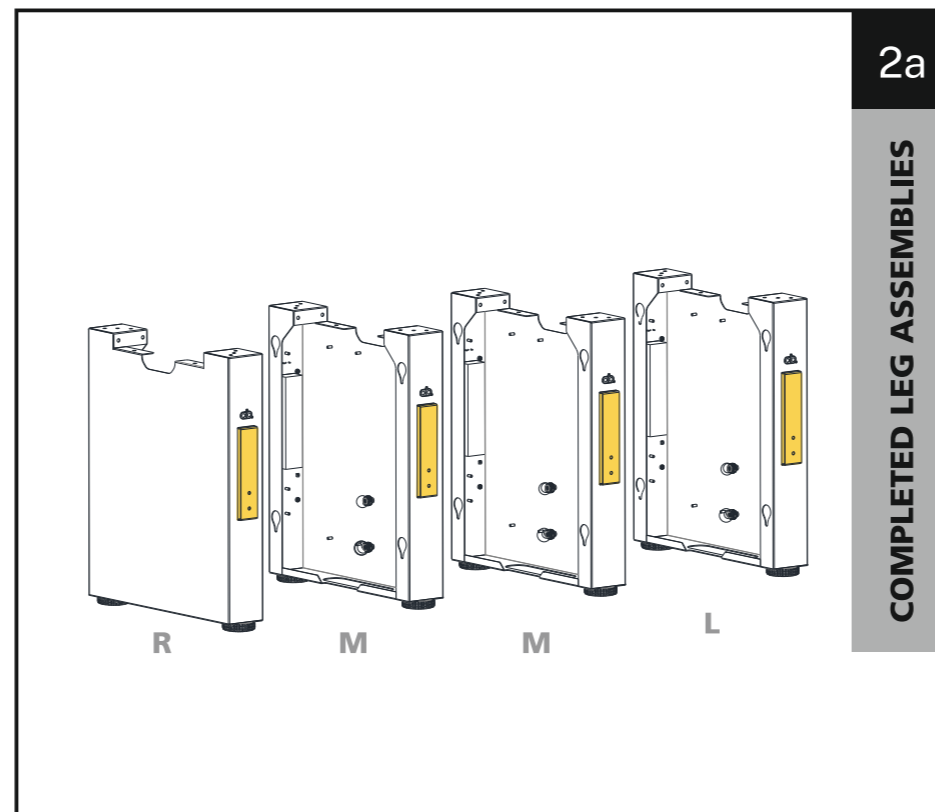
LEGS OVERVIEW

Telepresence Table For 6.

Assembly Guide

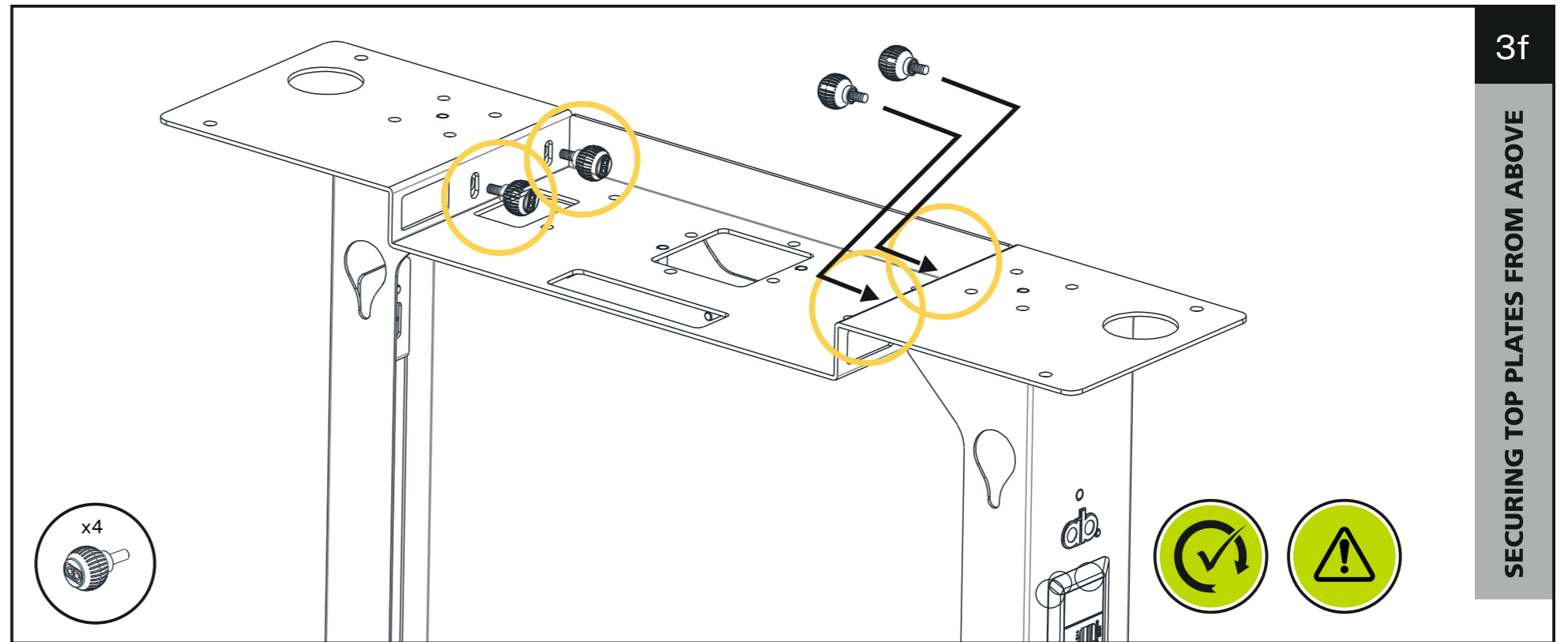
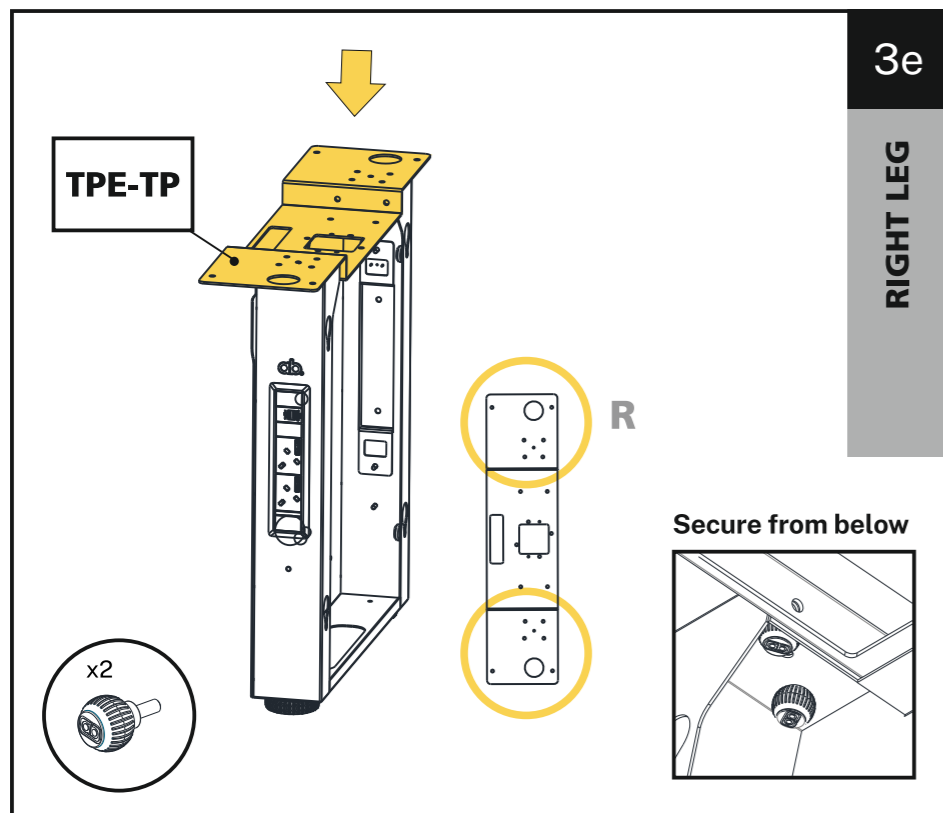
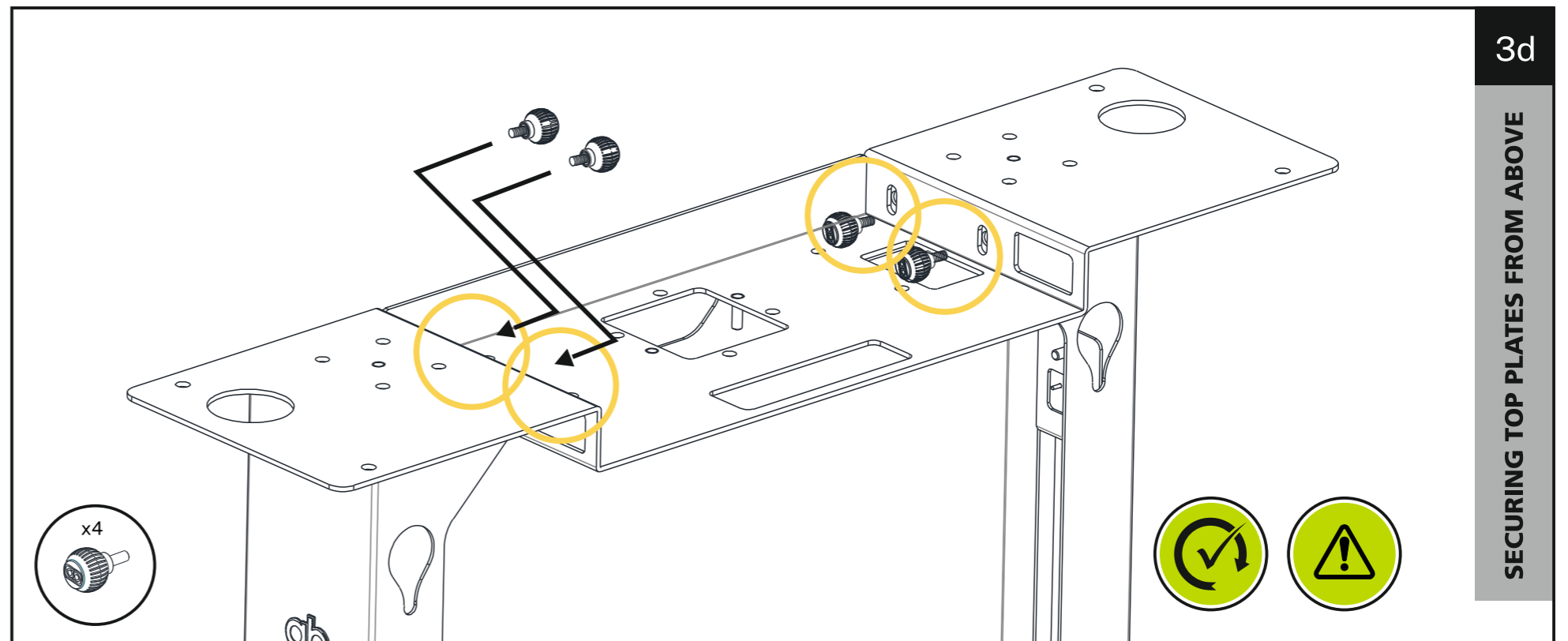
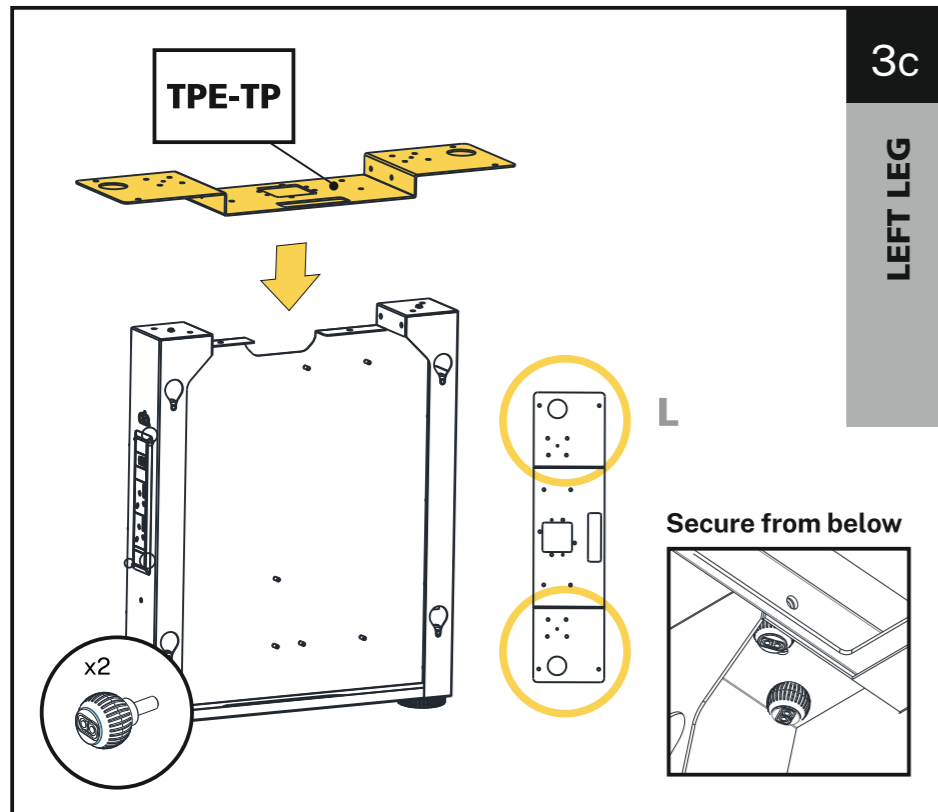


NOTE: When facing the open side of the leg, the Vanity Panel Mounting Plate is installed in the right end.



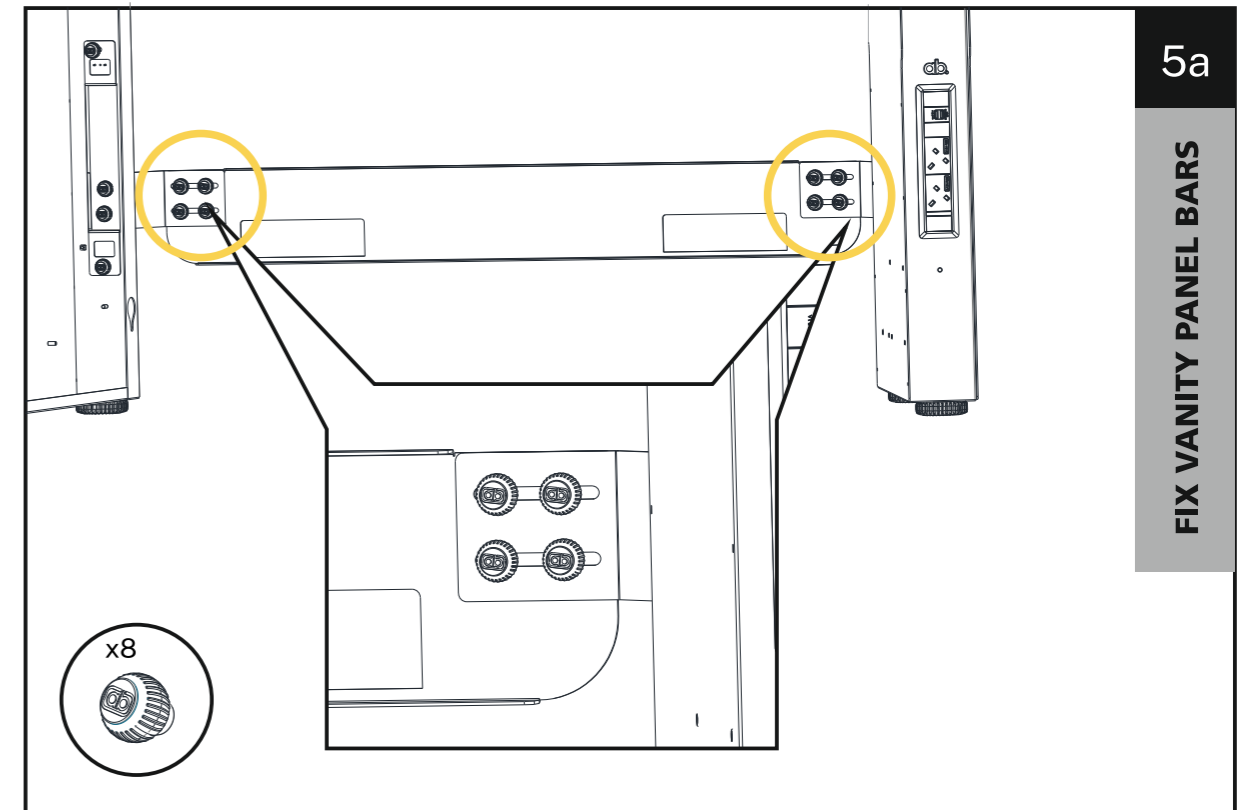
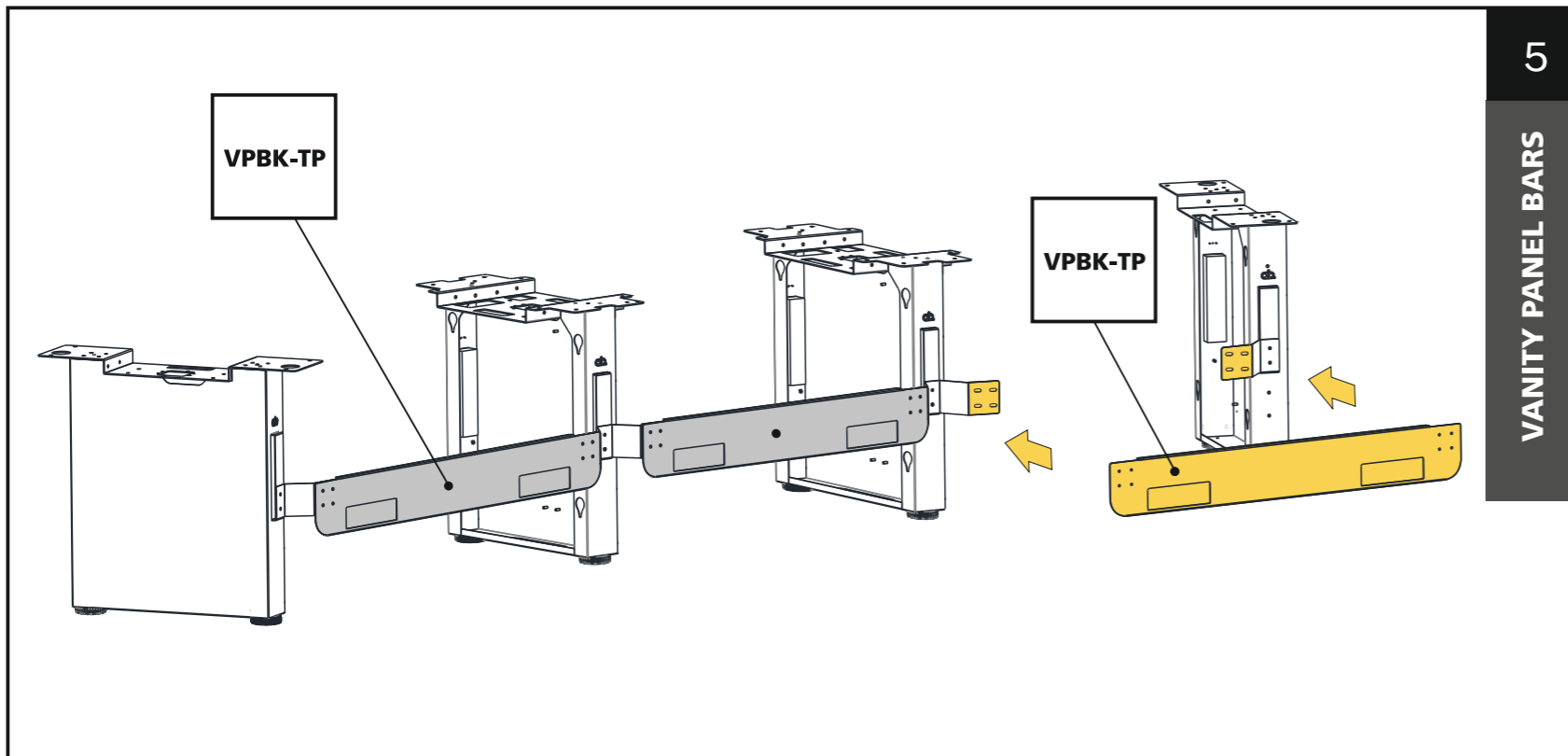
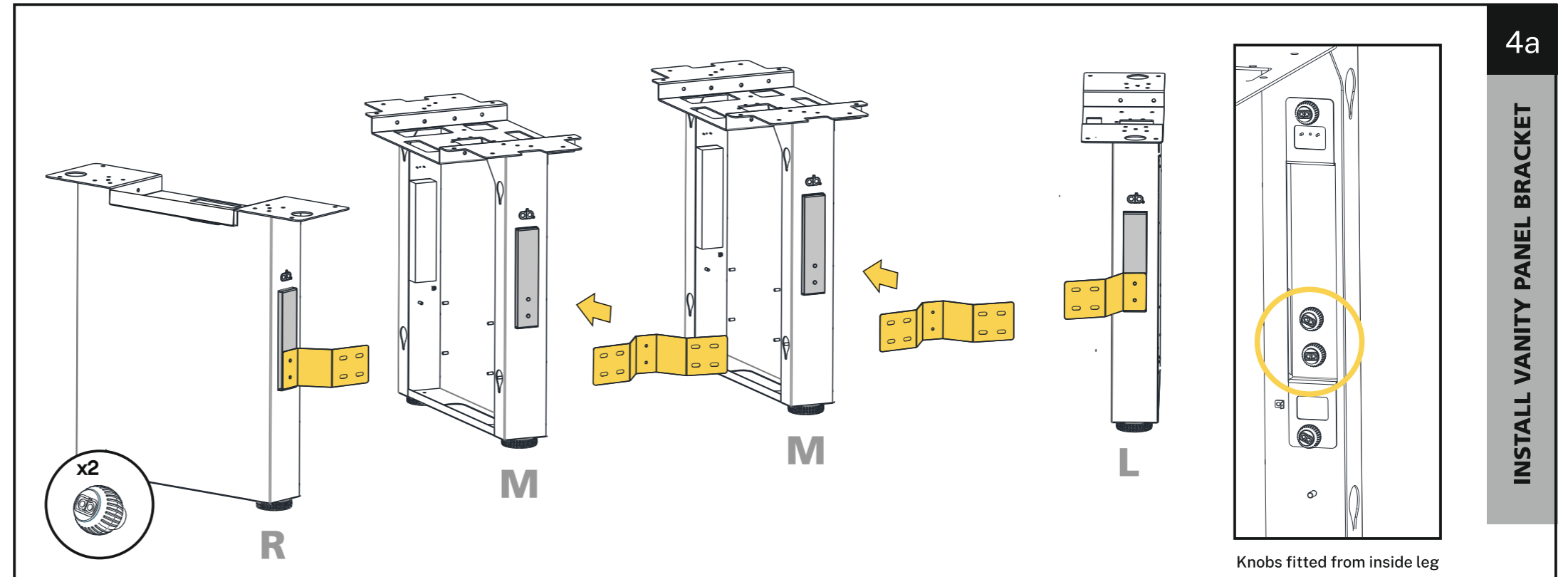
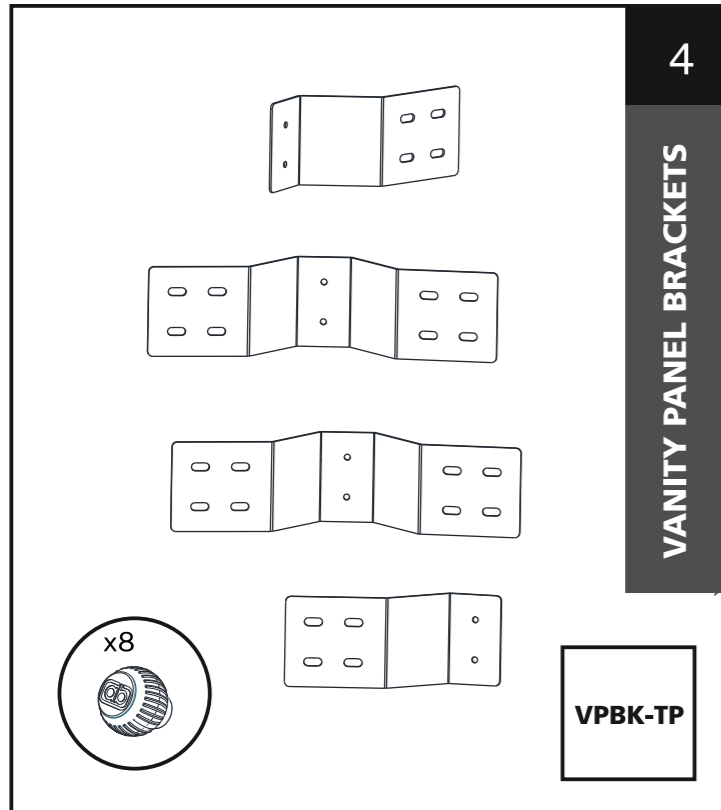
Telepresence Table For 6.

Assembly Guide



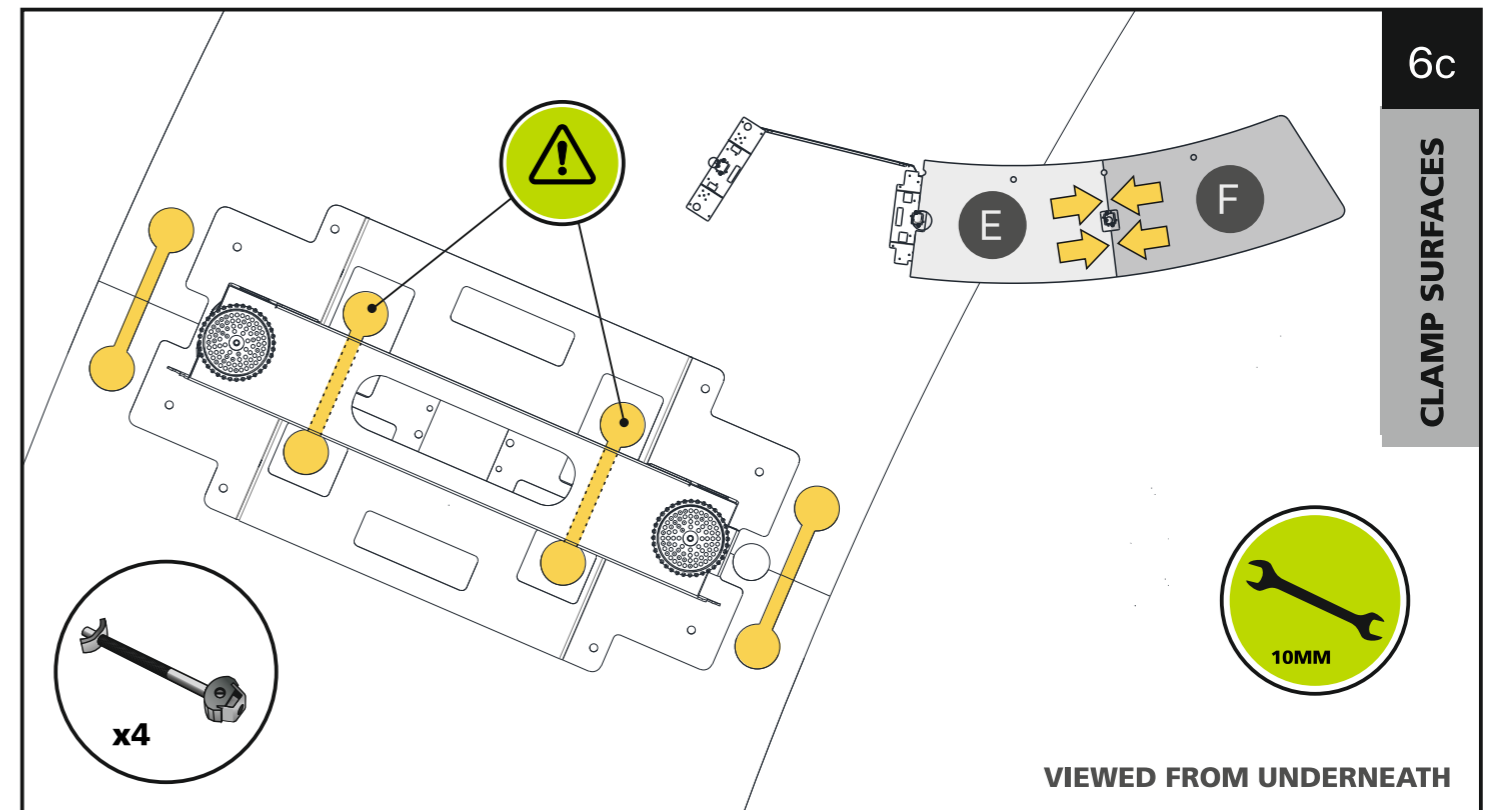
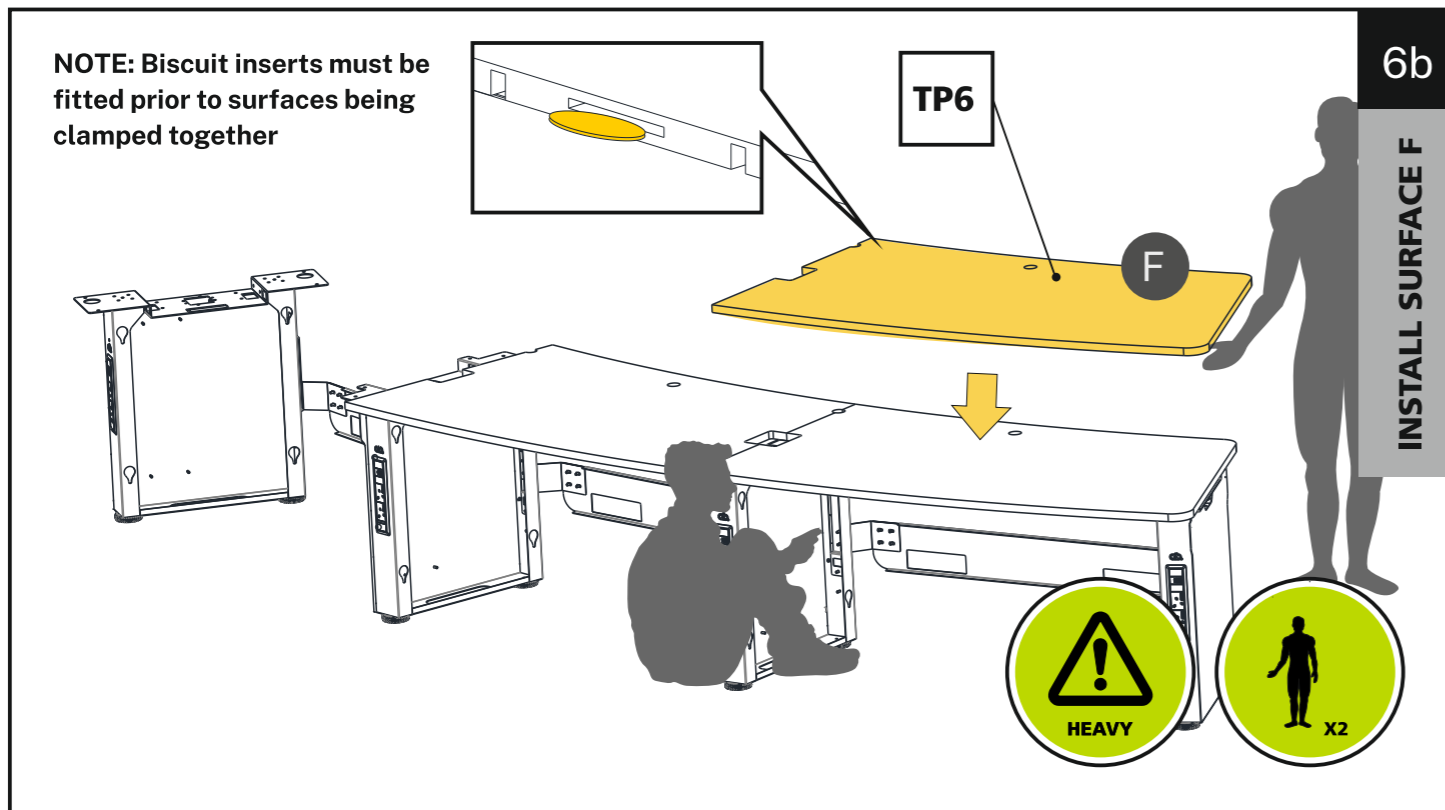
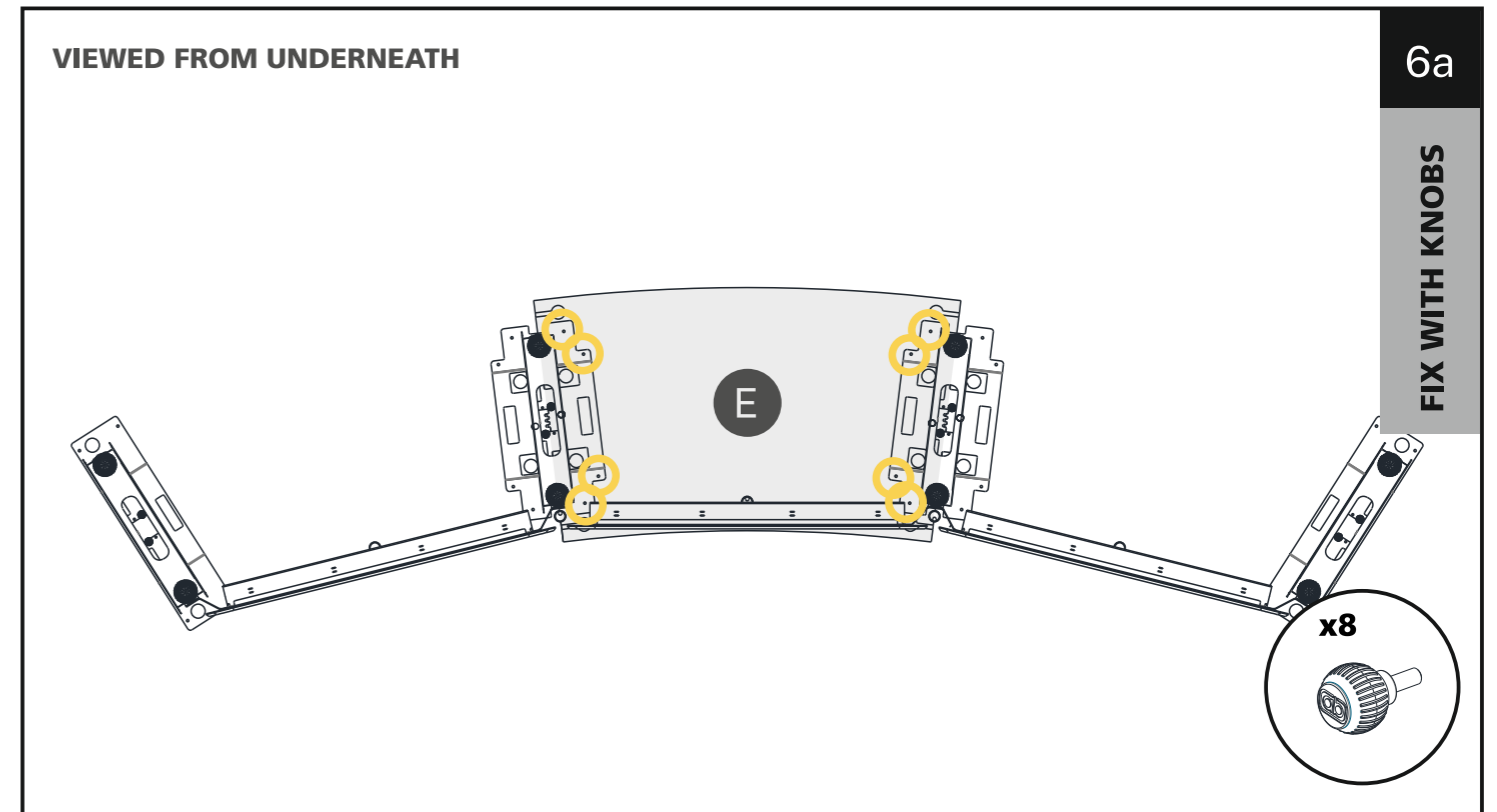
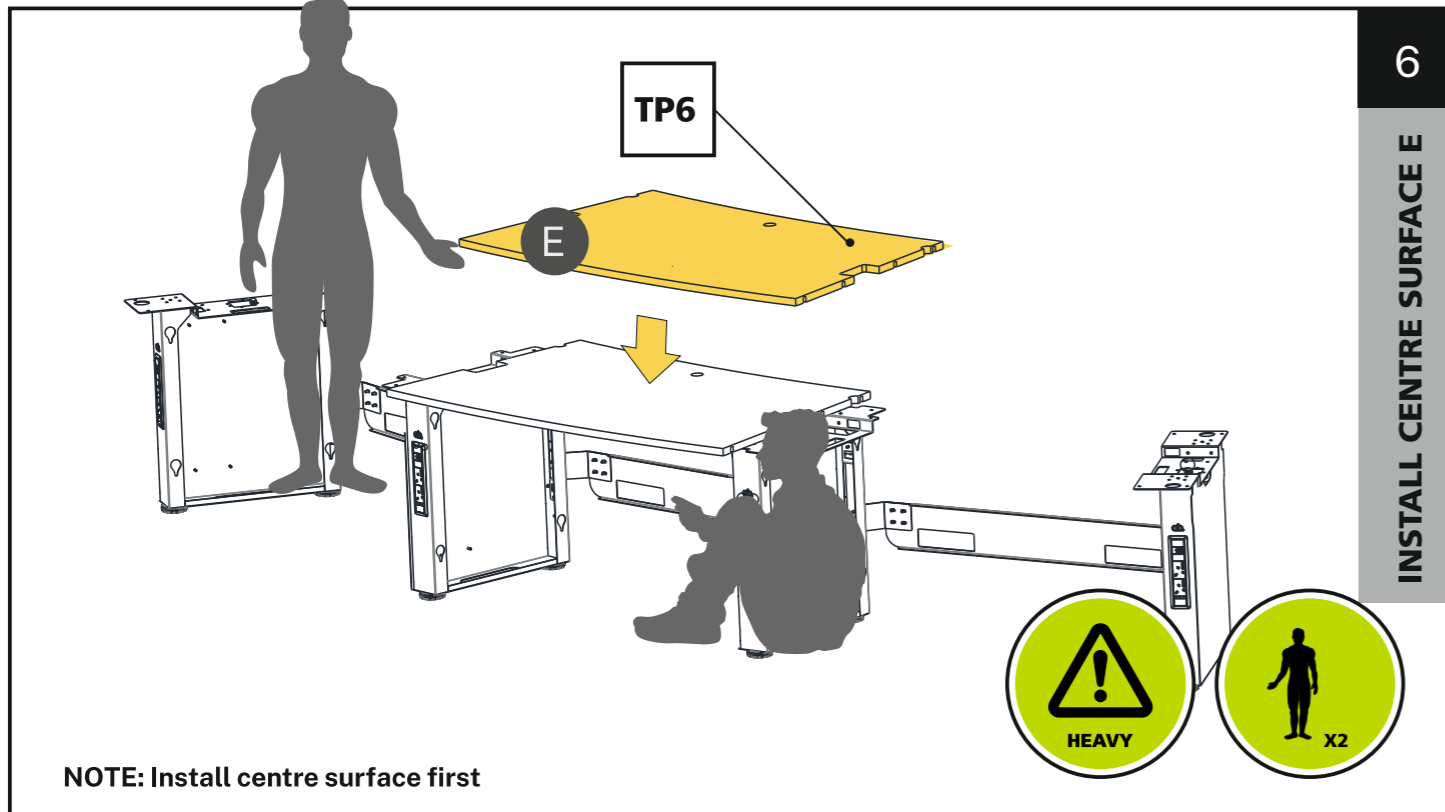
Telepresence Table For 6.

Assembly Guide



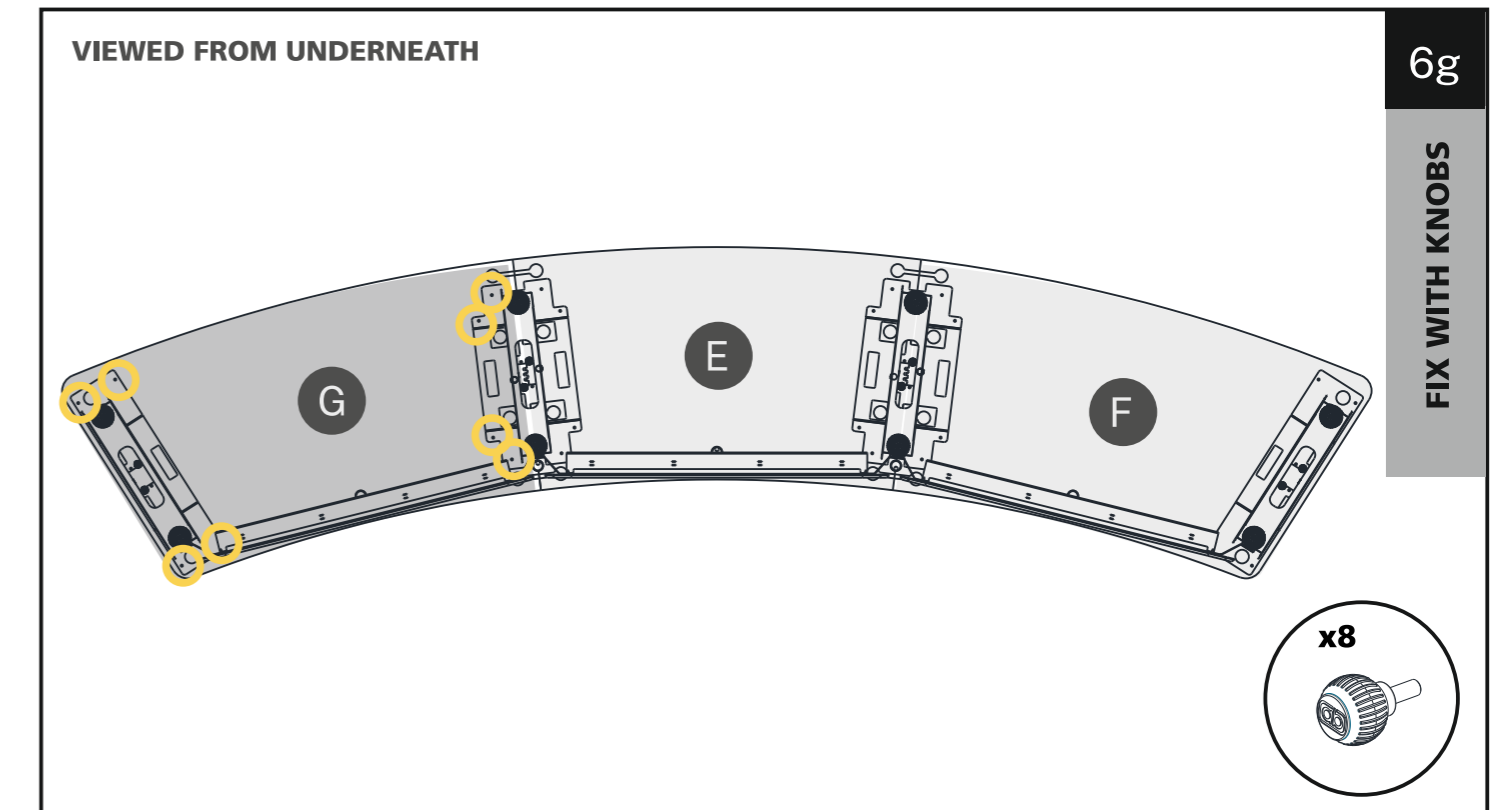
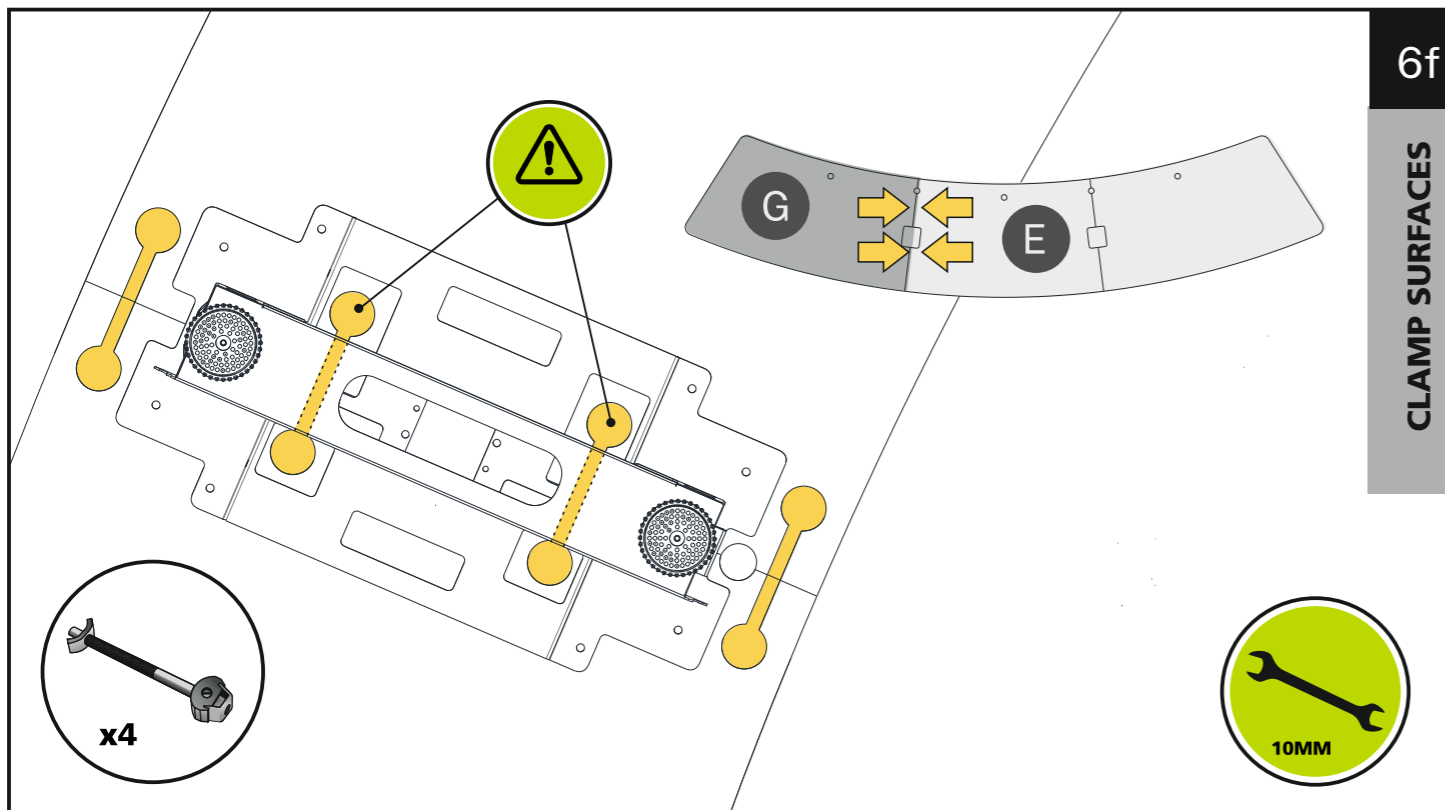
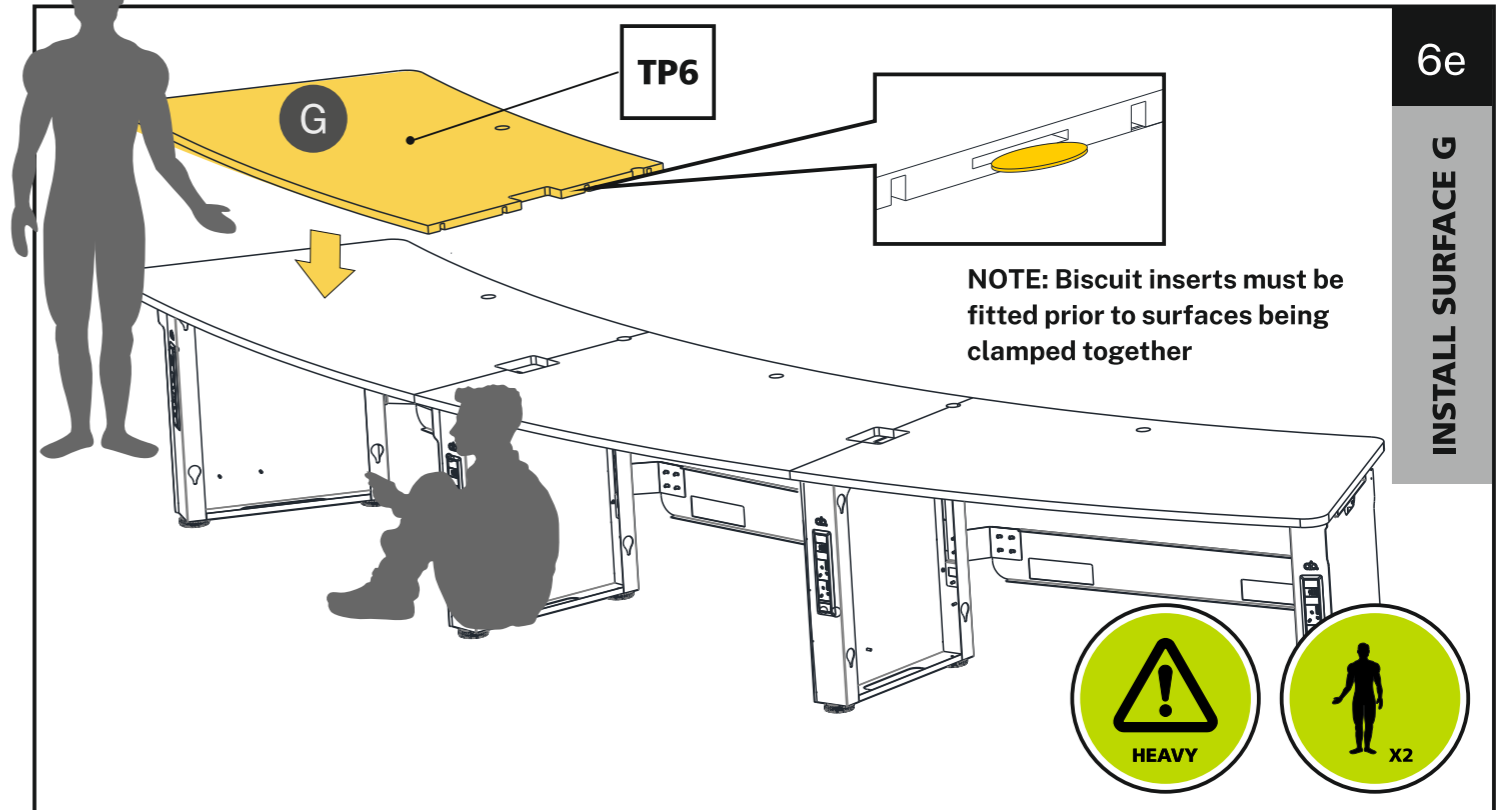
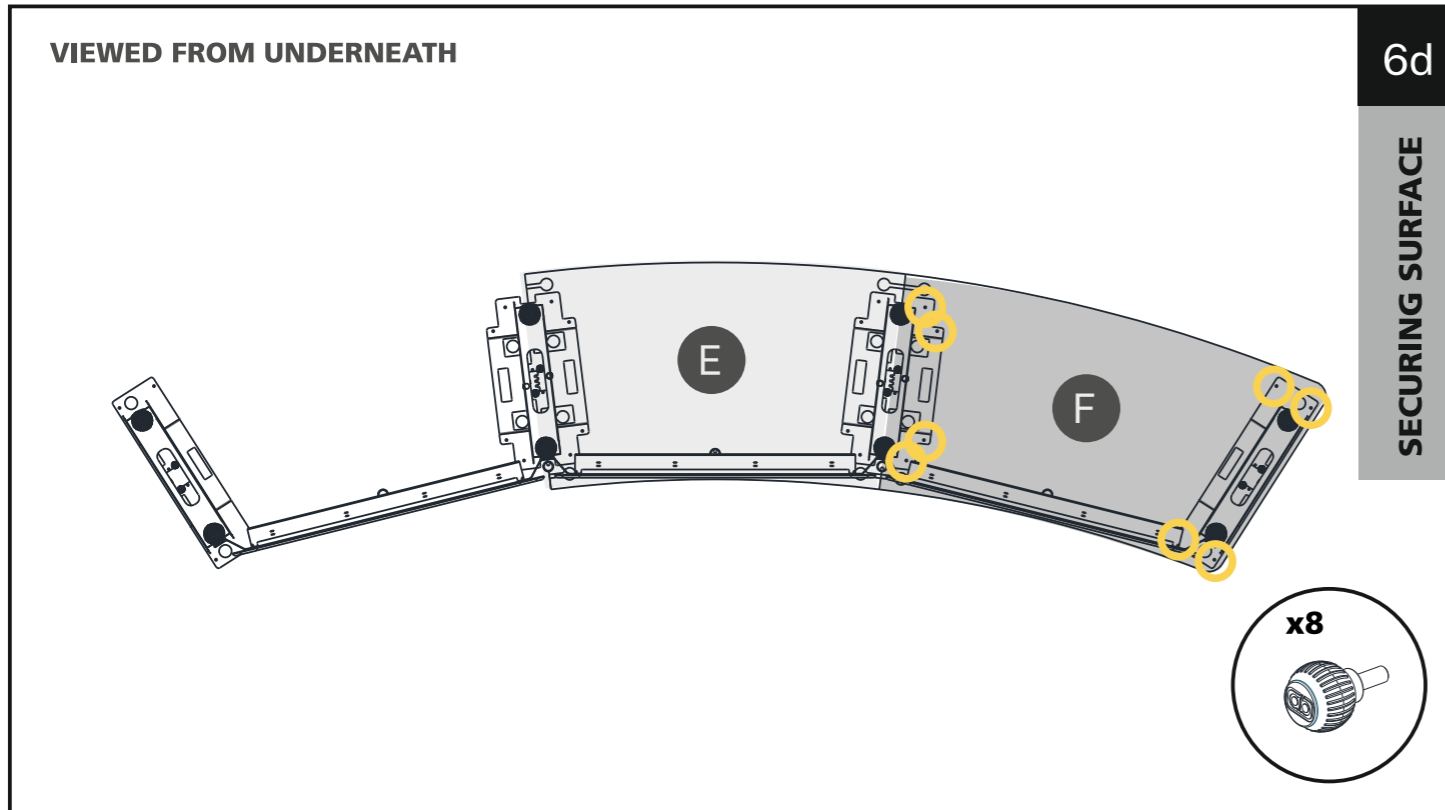
Telepresence Table For 6.

Assembly Guide



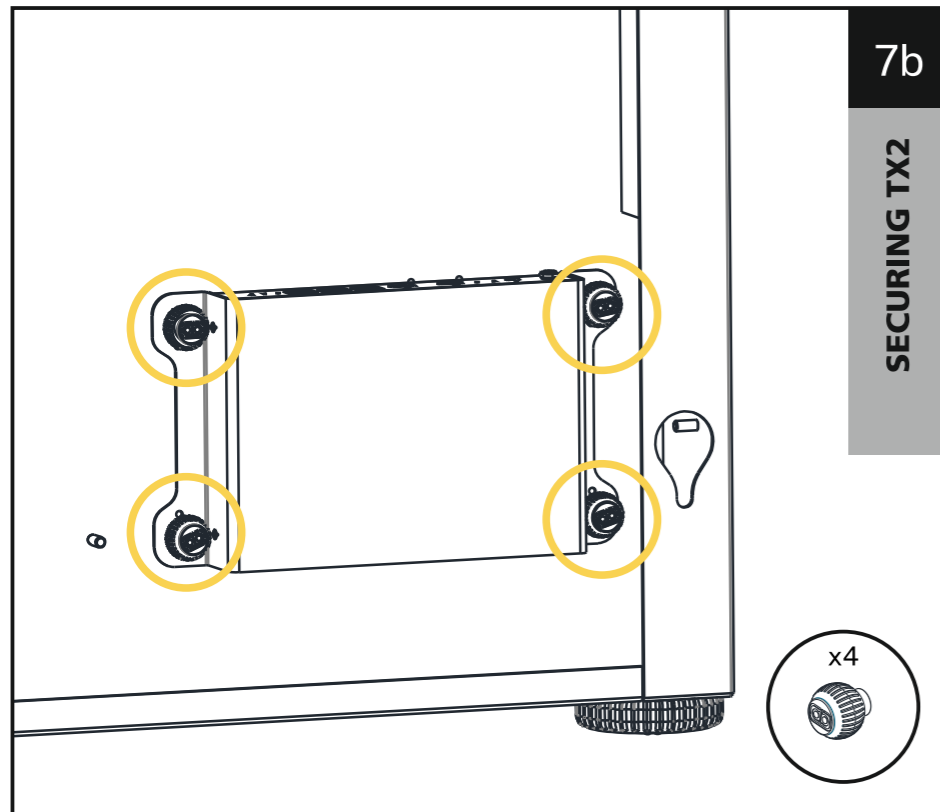
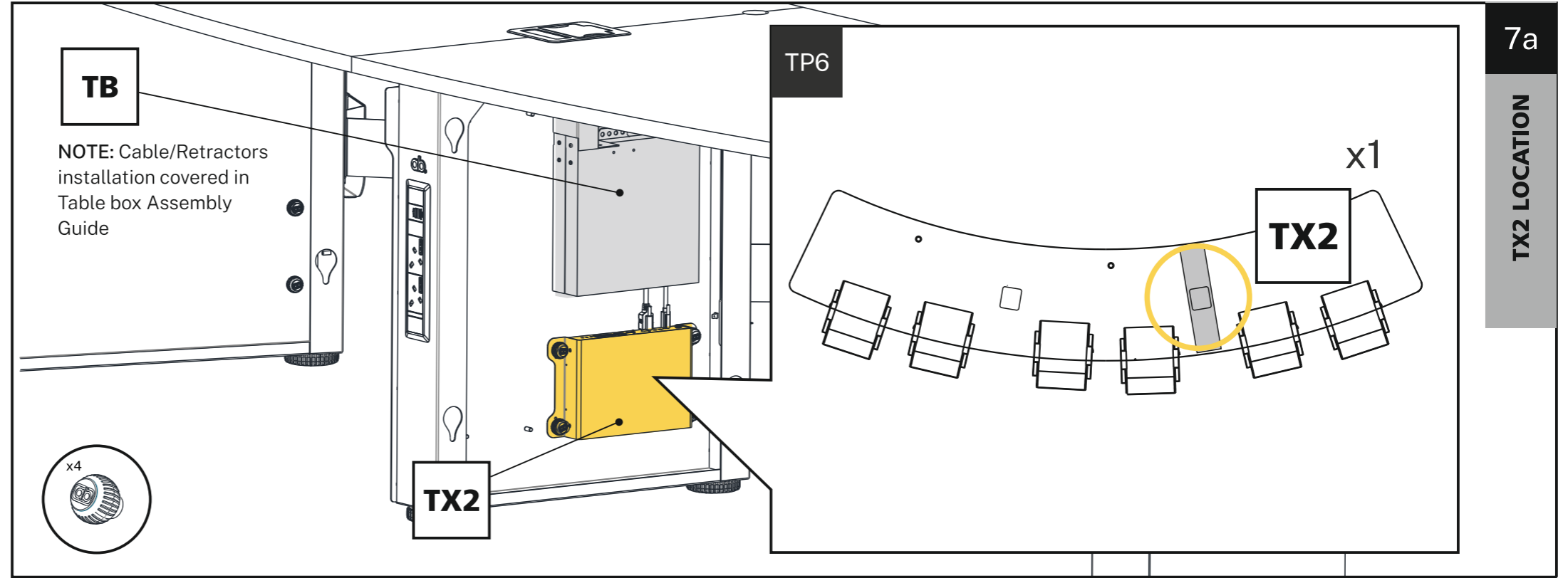
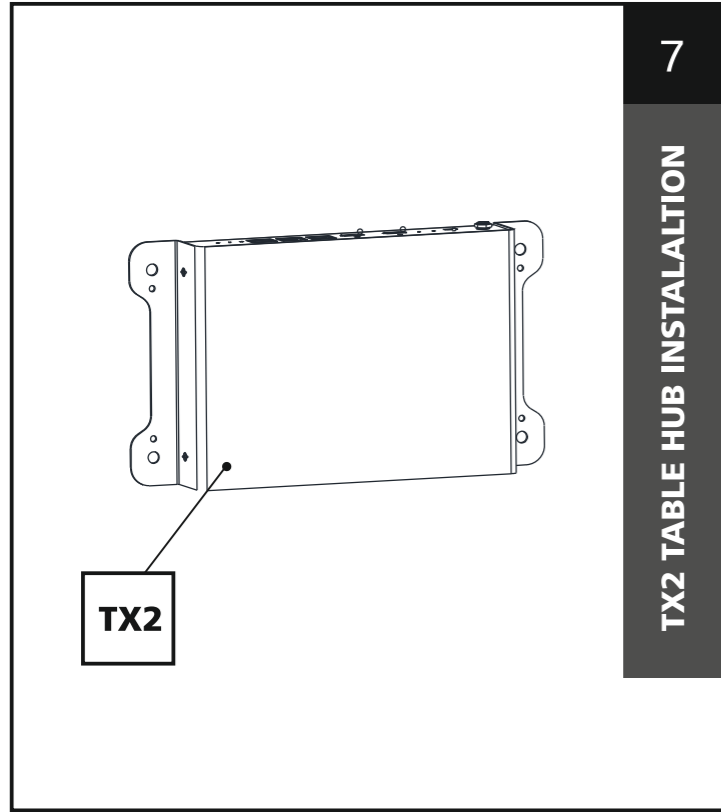
Telepresence Table For 6.

Assembly Guide



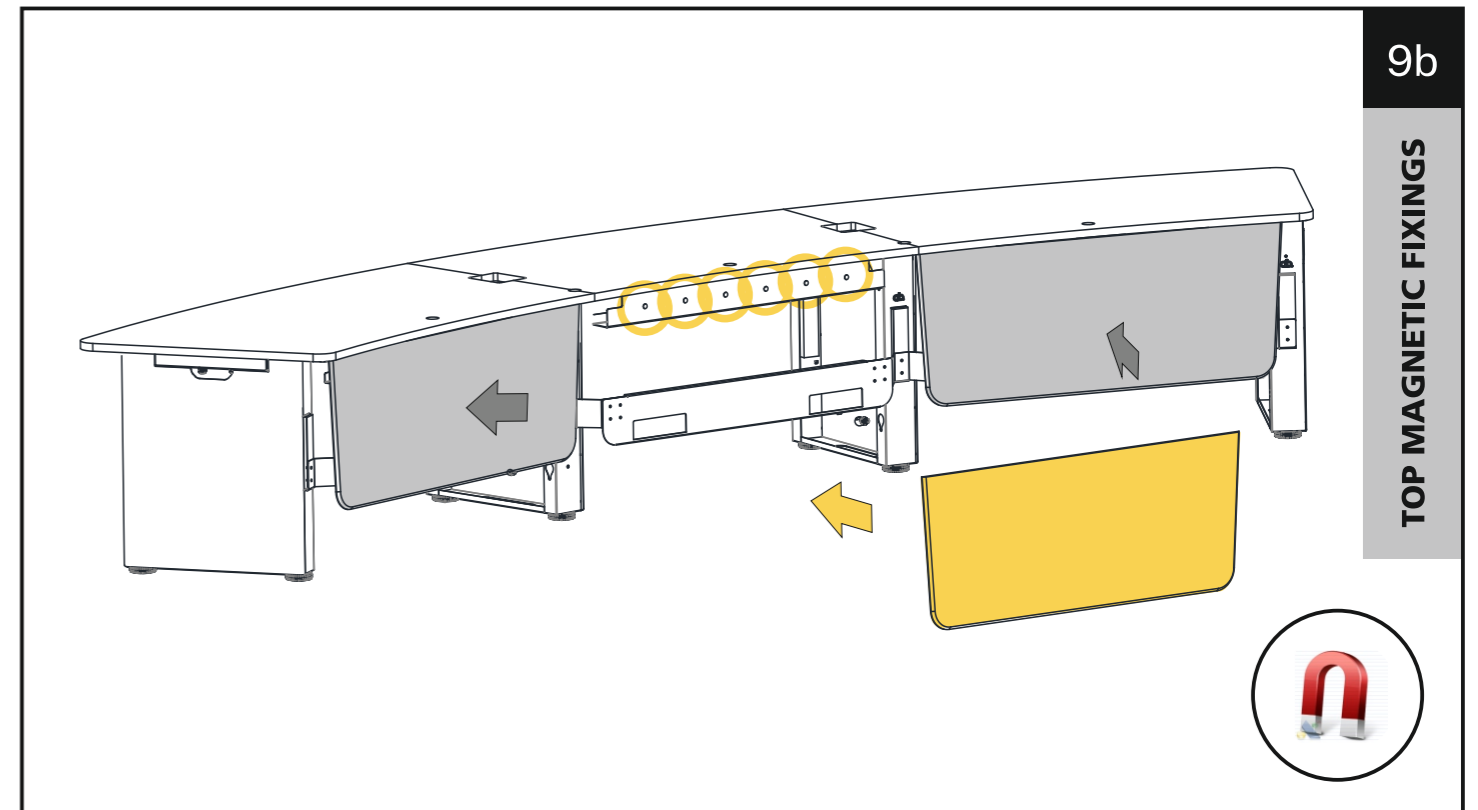
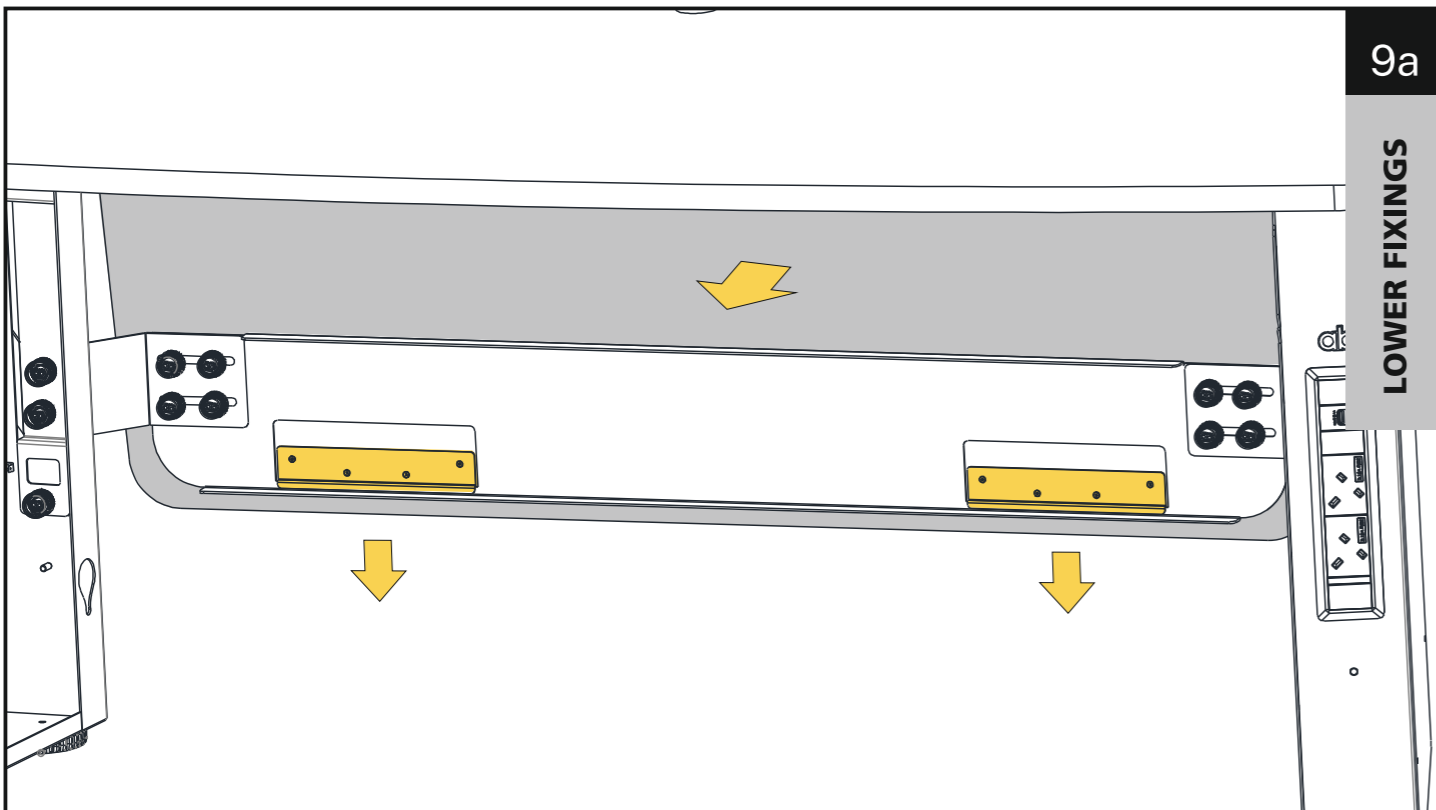
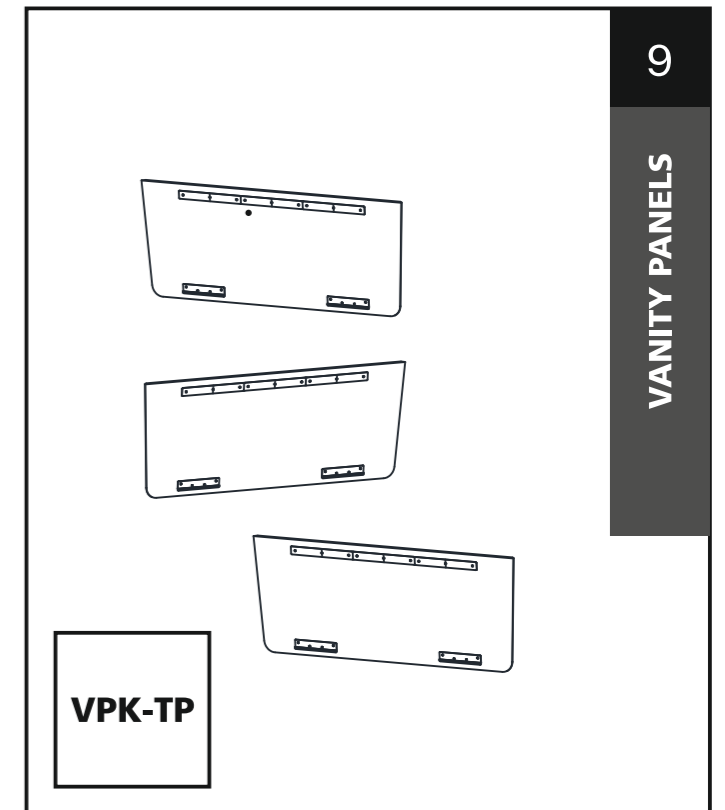
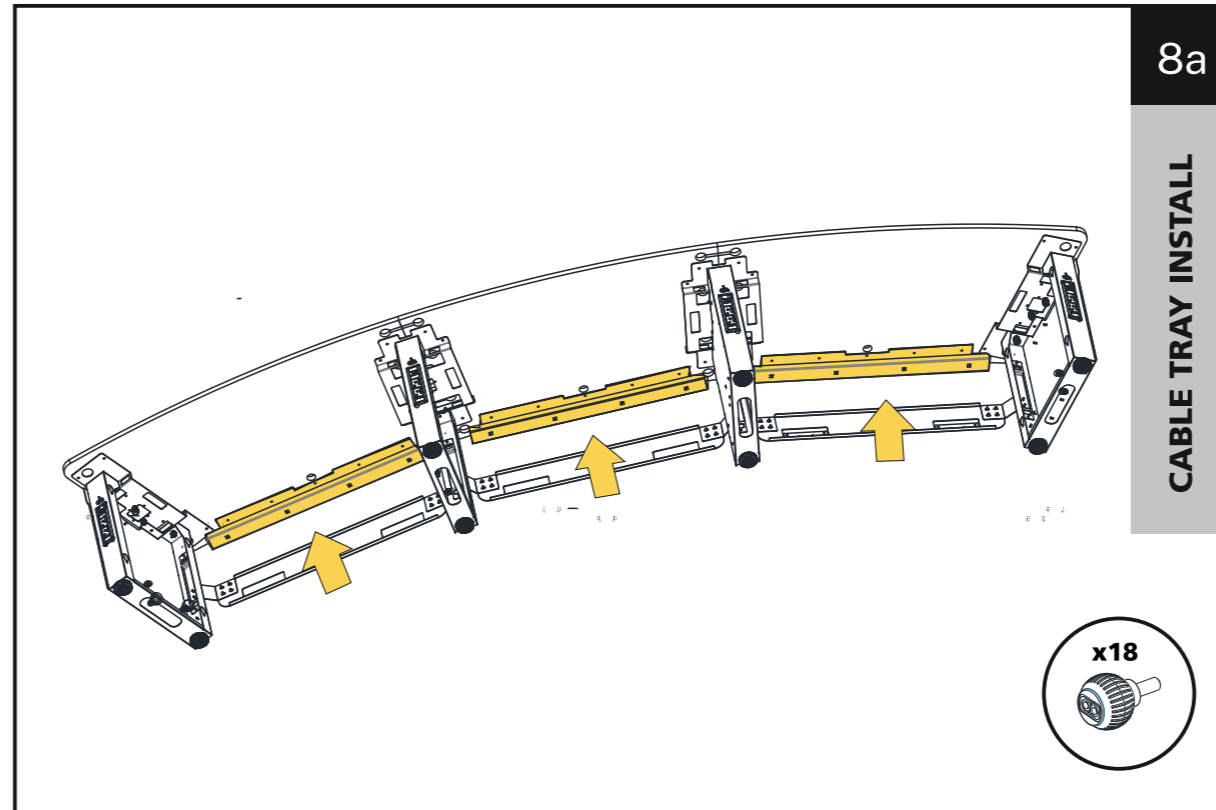
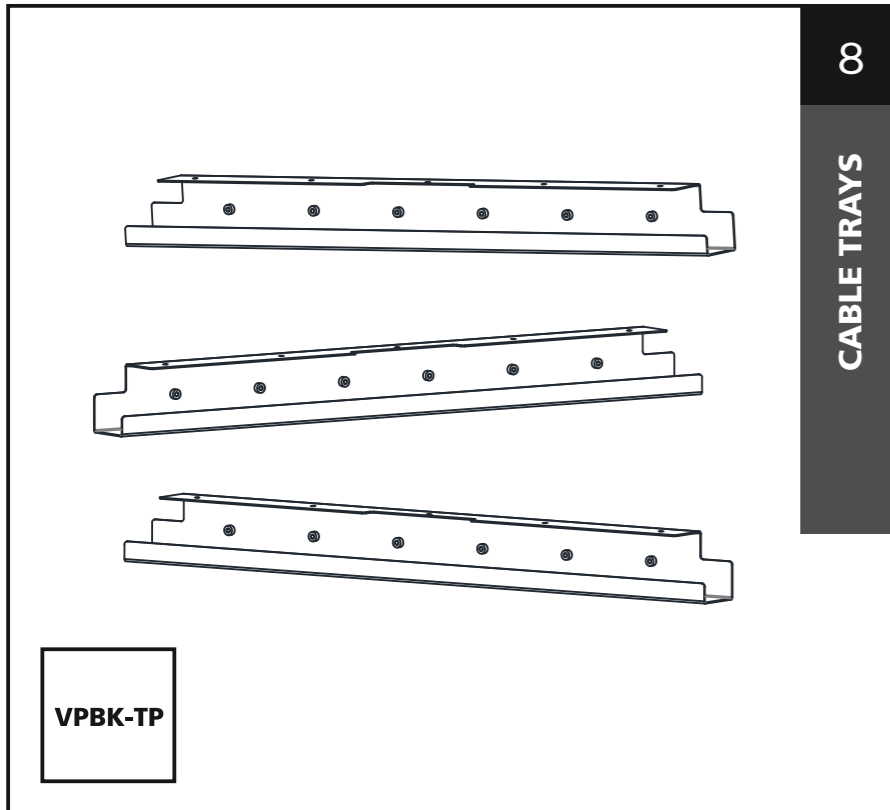
Telepresence Table For 6.

Assembly Guide



Telepresence Table For 6.

Assembly Guide



Telepresence Table For 6.

Assembly Guide

