

TB

Tablebox Assembly Guide



Please read before proceeding.

Before proceeding with assembly, connection, and operation, please ensure that you read this document fully, and any additional documentation that may be included with the product.

Please keep this Assembly Guide for future reference.

For further support please contact us at: support@ashtonbentley.com

Trademark Information

Ashton Bentley®, and the names and marks associated with Ashton Bentley Group Limited's products, are trademarks and/or service marks of Ashton Bentley Group Limited and are registered and/or common law marks in the United Kingdom and various other countries. All other trademarks are the property of their respective owners.

Patent Information

The accompanying product is protected by one or more UK, EU, US, and foreign patents and/or pending patent applications held by Ashton Bentley Technology Limited.

No part of this documentation may be reproduced or transmitted in any form or by any means, electronic or mechanical, for any purpose, without the express written permission of Ashton Bentley Group Limited. Under the law, reproducing includes translating into another language or format. As between the parties, Ashton Bentley Group Limited retains title to and ownership of all proprietary rights concerning the software contained within its products.

Any software is protected by copyright laws and international treaty provisions. Therefore, the software must be treated like any other copyrighted material (e.g., a book or sound recording). Every effort has been made to ensure that the information in this manual is accurate. Ashton Bentley Group Limited is not responsible for printing or clerical errors. Information in this document is subject to change without notice.

www.ashtonbentley.com

23 Schooner Court, Crossways Business Park, Dartford, DA2 6NW, United Kingdom.
© 2023 Ashton Bentley Group Limited, All rights reserved. 6NW, United Kingdom.

© 2023 Ashton Bentley Group Limited, All rights reserved.

1. Important Safety Information

Important safety information.

General

The following information and precautions should always be followed to reduce the risk of damage, fire, electric shock or injury to people. If in any doubt about installation, operation or maintenance please contact your vendor or Ashton Bentley.

- Follow all warnings and instructions in this document and marked on the equipment.
- Allow plenty of space in the construction area.
- Never operate the system outdoors or in very humid conditions or allow ingress of any liquid.
- Always use suitable cable management or install under a raised floor to avoid trip hazards.
- Do not block or cover any ventilation vents in the products.

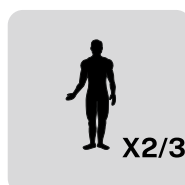
Displays, Chassis and Tables.

As some parts are large and heavy, we recommend two people assemble.

If tethering a Chassis to a wall using the supplied Ashton Bentley Wall Brackets, ensure the wall is solid and stable, and that suitable fixings (not provided) as used.

Recommendations and warnings.

Symbols are used where extra attention is required. For example, if an item is heavy and requires a minimum number of personnel.



Electrical.

If the incoming mains electrical feed is unstable or prone to transient input voltage spikes of more than 1KV, we recommend the use of a surge protector connected to the power input cable.

If any of the following are noticed, then do not use the product until everything is back to a fully safe state:

- Power cables, plugs, power supplies/adapters, extension cords, surge protectors that are broken or damaged.
- Signs of overheating, smoke, sparks, or fire.
- Signs of liquid ingress or an object has fallen onto the electronic elements of product, the power cable, or power supply/adaptor.

Note:

Never wrap a power cable around a power supply/adaptor or other object. Always route power cables so that they will not be walked on, tripped over, or pinched by objects.

Do not use any power supply/adaptor that shows corrosion at the ac input pins or shows signs of overheating (such as deformed plastic).

The power cable and supply/adaptor provided with this product are intended to be used with this product only. Do not use them with any other products. The use of 3rd party power supplies/adaptors will invalidate the warranty.

Do not use your system, or disconnect any cables or perform installation, maintenance, or reconfiguration of this product during an electrical storm.

Any product not supplied by Ashton Bentley should not be used if any of the above or other faults are experienced. Immediately disconnect from the Ashton Bentley product and any power supply, and contact the product manufacturer for further instructions, or until you get a suitable replacement.

2. Product Components

Product Components.

The product is supplied in one or more boxes. Depending on your Tablebox configuration there will be a combination of the following boxes listed below.

Tablebox (Part No. 900-00491)

1x	Tablebox Assembly	810-002391
1x	Tablebox Retractor Bracket	410-00676
1x	Tablebox Mounting Collar	410-00551
4x	Screw ~6-32 x 3/8" UNC Button Head Blk	472-00023
3x	AB Female Knob	432-00008
1x	Retractor Blanking Clip	432-00024



Touch panel Module (Part No. 900-00509)

1x	Tablebox LCD Control Panel Assembly	810-00292
1x	Cable-Rj45 to Rj45-1.0M	115-00050
1x	Hex Allen Key 2mm Short Arm 50mm Long	485-00001



USB-C Retractor (Part No. 900-00490)

1x	USB-C Retractor	160-00057
----	-----------------	-----------



HDMI Retractor (Part No. 900-00489)

1x	HDMI Retractor	160-00056
----	----------------	-----------



2.5m Locking USB-C Input Cable (Part No. 115-00065)

1x	2.5mm Locking USB-C Input Cable	115-00065
----	---------------------------------	-----------



2.8m Locking HDMI Input Cable (Part No. 115-00066)

1x	2.5mm Locking HDMI Input Cable	115-00066
----	--------------------------------	-----------



Please inform your vendor immediately if any boxes are damaged, or contents missing.

Each box will have a label that contains certain important information.

See example below:



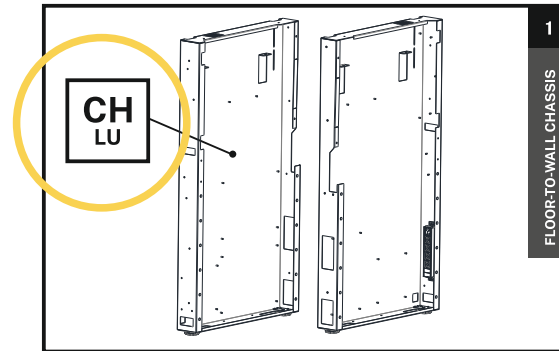
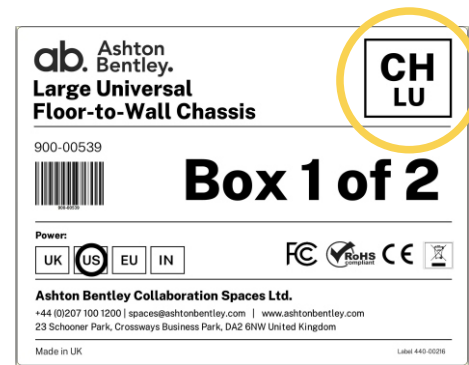
- A: Product Description
- B: Carton ID
- C: Part Number
- D: Part Number Barcode
- E: Compliance & Conformity

3. How to use this Assembly Guide

How to use this Assembly Guide.

Carton ID

Locate part in the box marked with associated Carton ID, for example



Recommendations and warnings

Symbols are used where extra attention is required. For example, if an item is heavy and requires a minimum number of personnel.



Tightening of AB Knobs

AB Knobs are designed to be tightened by hand. Always ensure secure fixing before proceeding.

Some parts require particular attention, these are indicated as follows:



Important instruction

The following symbols show the correct procedure.

Incorrect



Correct



4. Important Pre-Assembly Notes

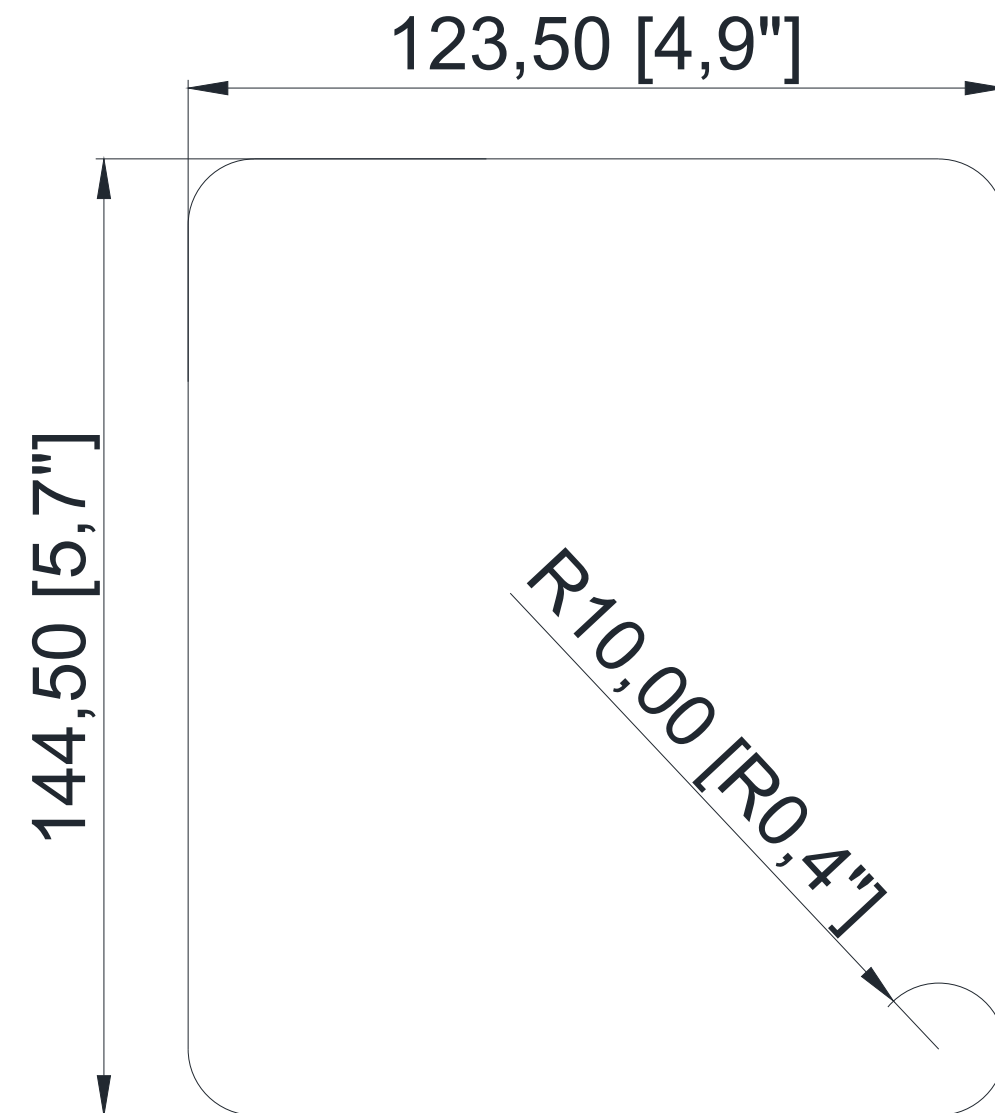
Pre-Installation.

Make sure the location for the system is clear, and any unwanted packaging materials are removed to ensure a safe and clean environment.

During assembly/installation please wear appropriate PPE.



Table box Cutout Dimensions.



5. Installing Touch Panel into the Tablebox

Touch Panel (Part No. 900-00509)

TB

1
TABLEBOX ASSEMBLY PARTS

NOTE: Plate only required when fitting retractors

2
REMOVE BLANKING PLATE

NOTE: A M2 Hex Key (supplied) is required to install the Touch Panel Module

Touch Panel (Part No. 900-00509)

TTP

3
TOUCH PANEL MODULE

Take care when handling the touch panel module so as not to damage or mark the display

4
TOUCH PANEL ORIENTATION

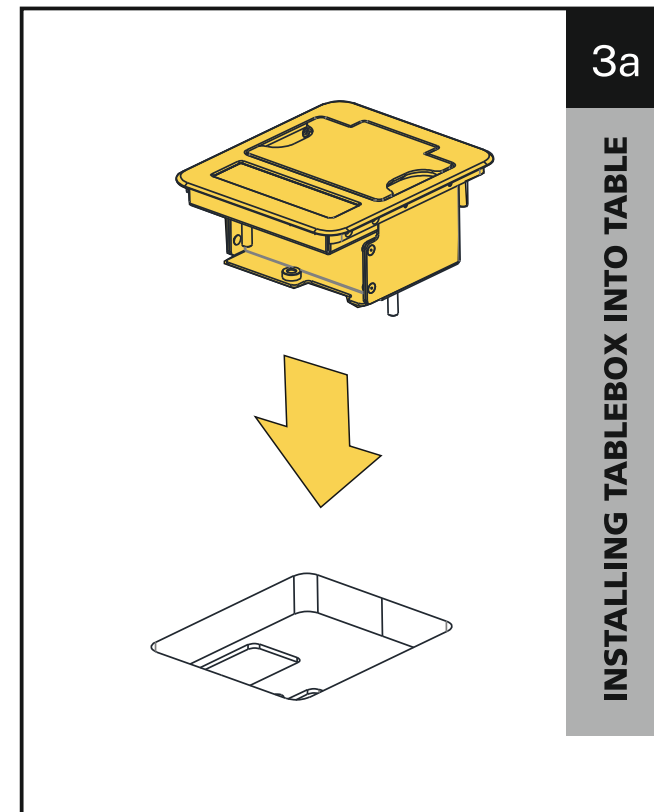
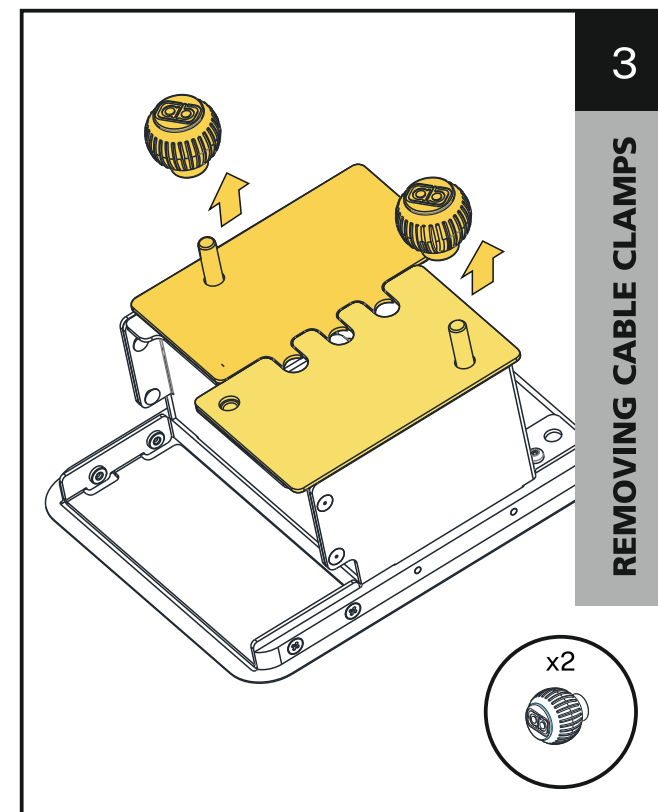
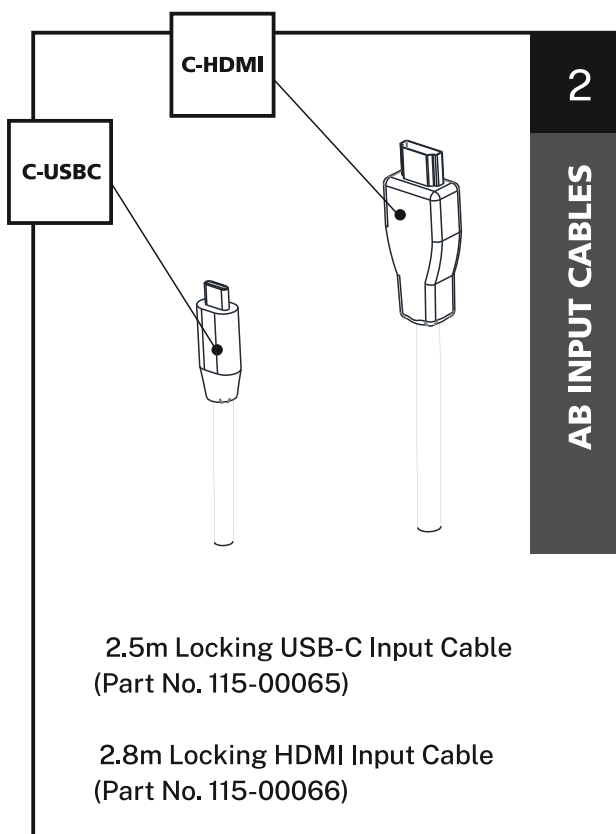
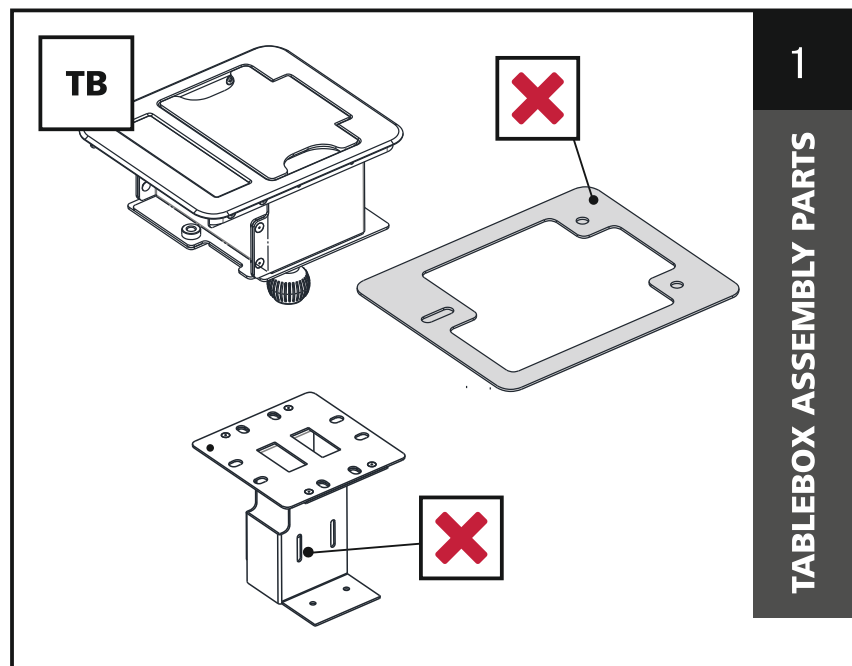
5
SECURING TOUCH PANEL MODULE

NOTE: A M2Hex Key (supplied) is required to install the Touch Panel Module

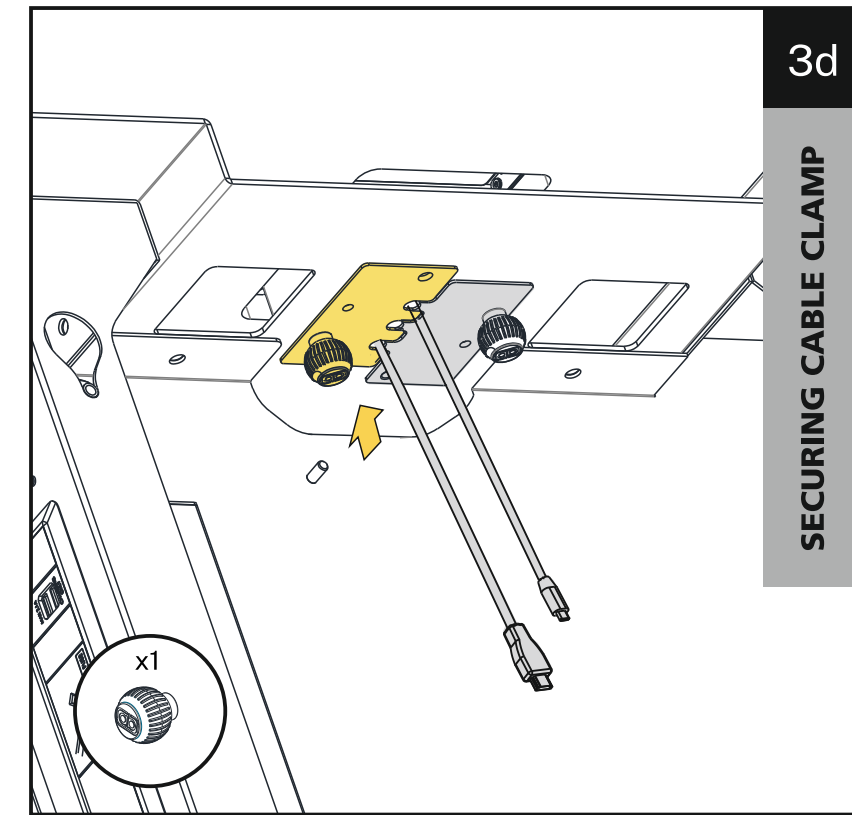
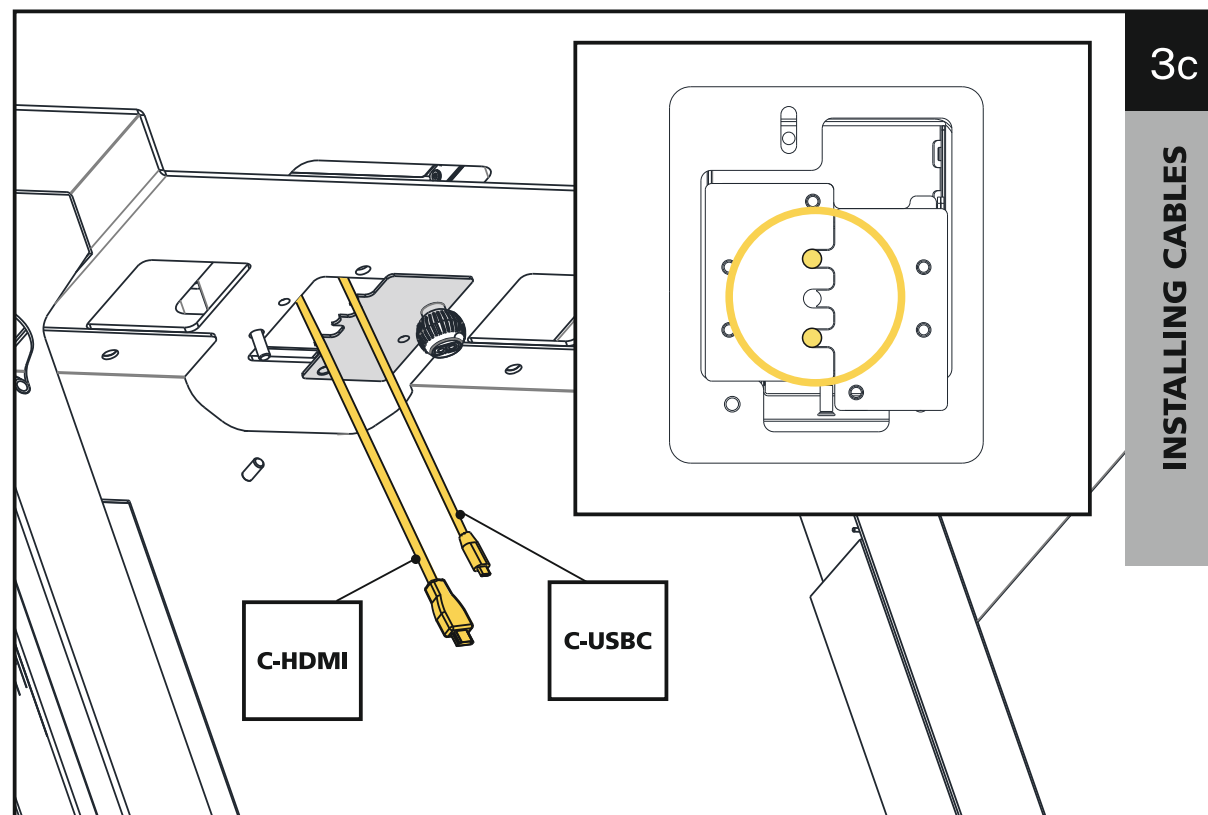
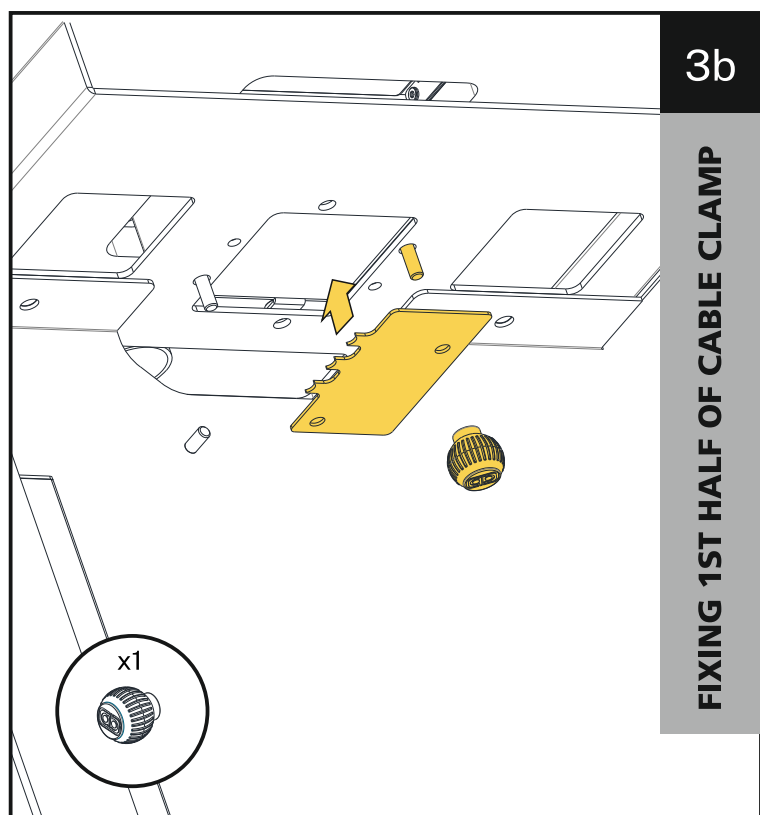
6. Using Tablebox with Ashton Bentley Input Cables

2.5m Locking USB-C Input Cable (Part No. 115-00065)

2.8m Locking HDMI Input Cable (Part No. 115-00066)



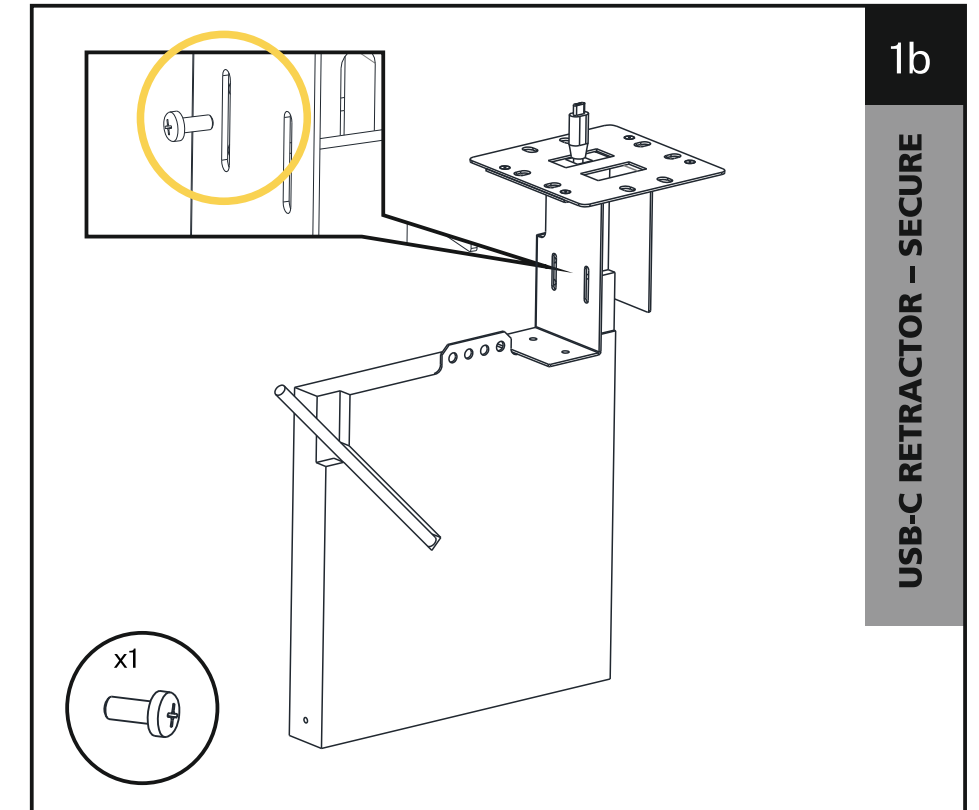
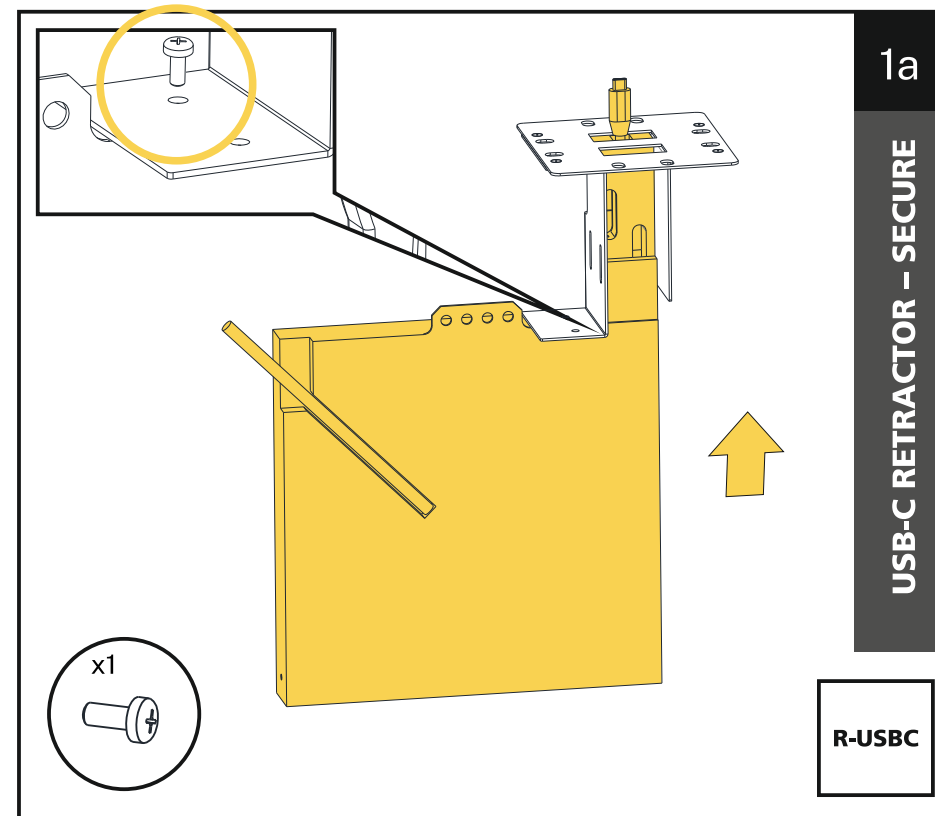
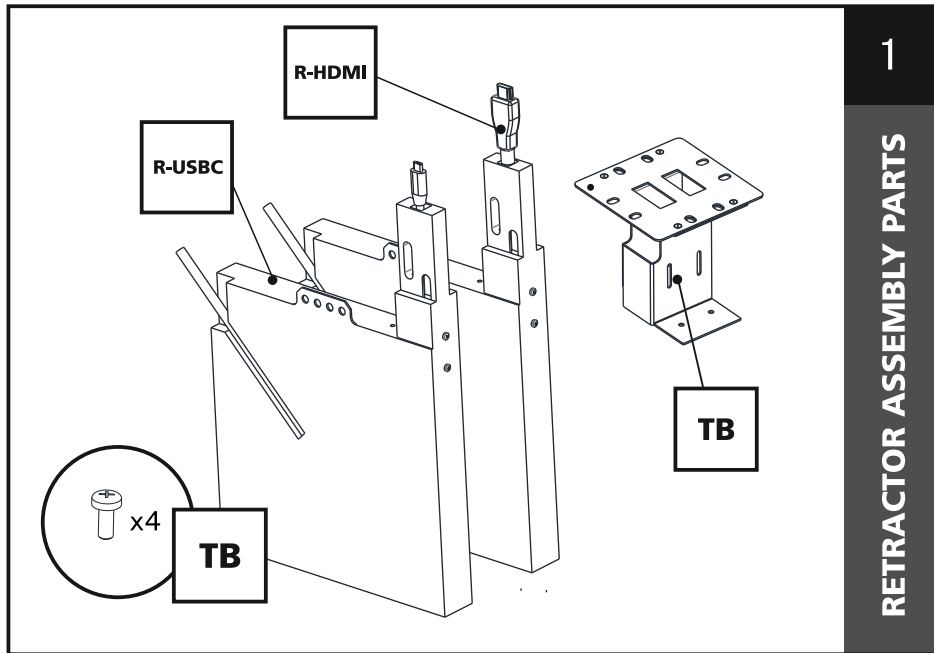
NOTE: One or two cables can be fitted



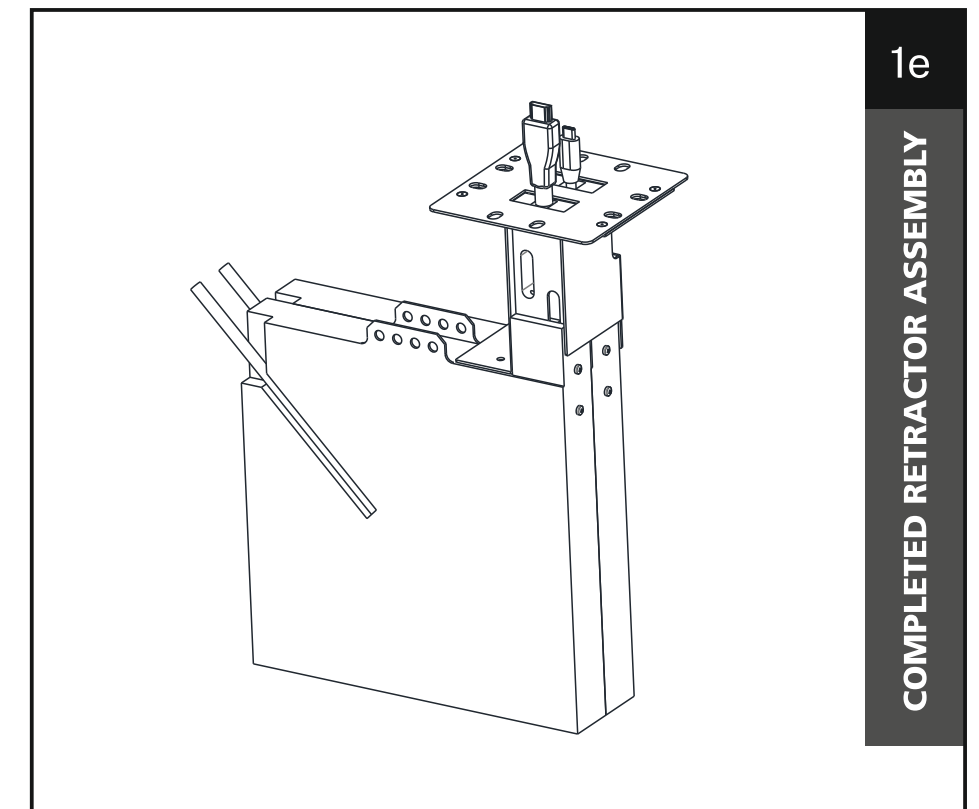
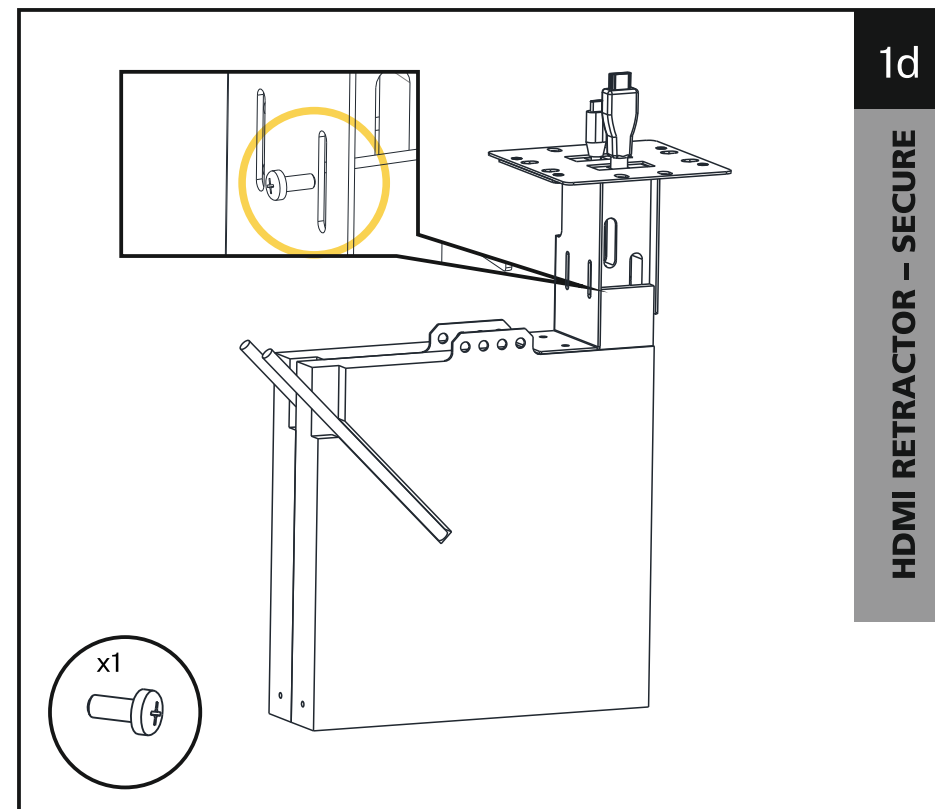
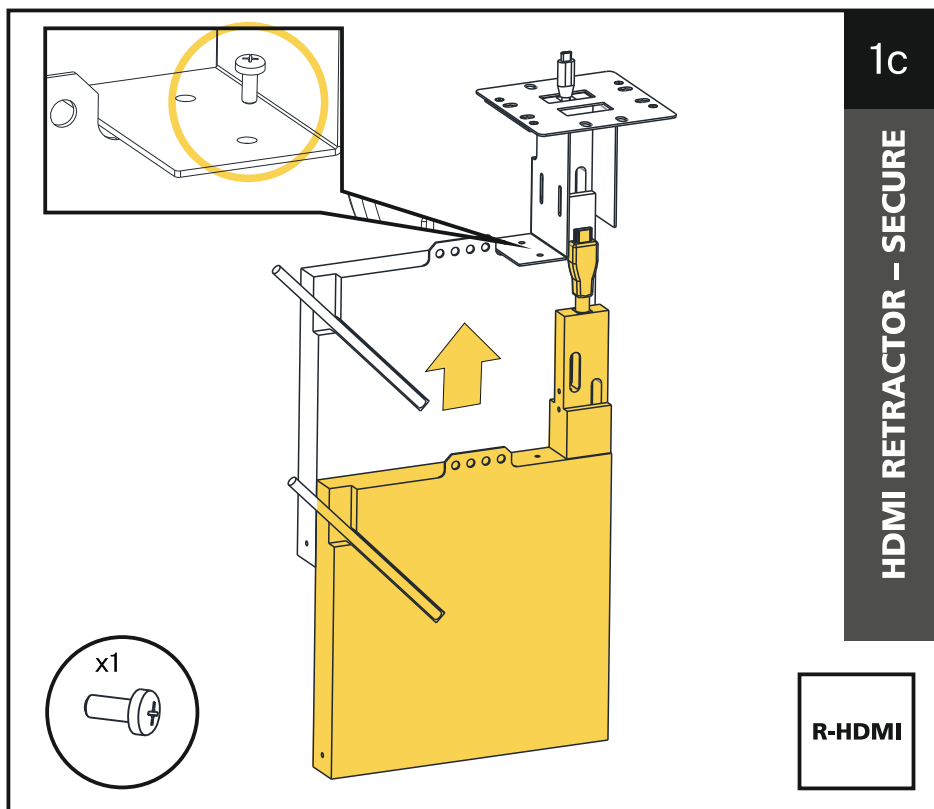
7.Using Tablebox with Ashton Bentley Retractors

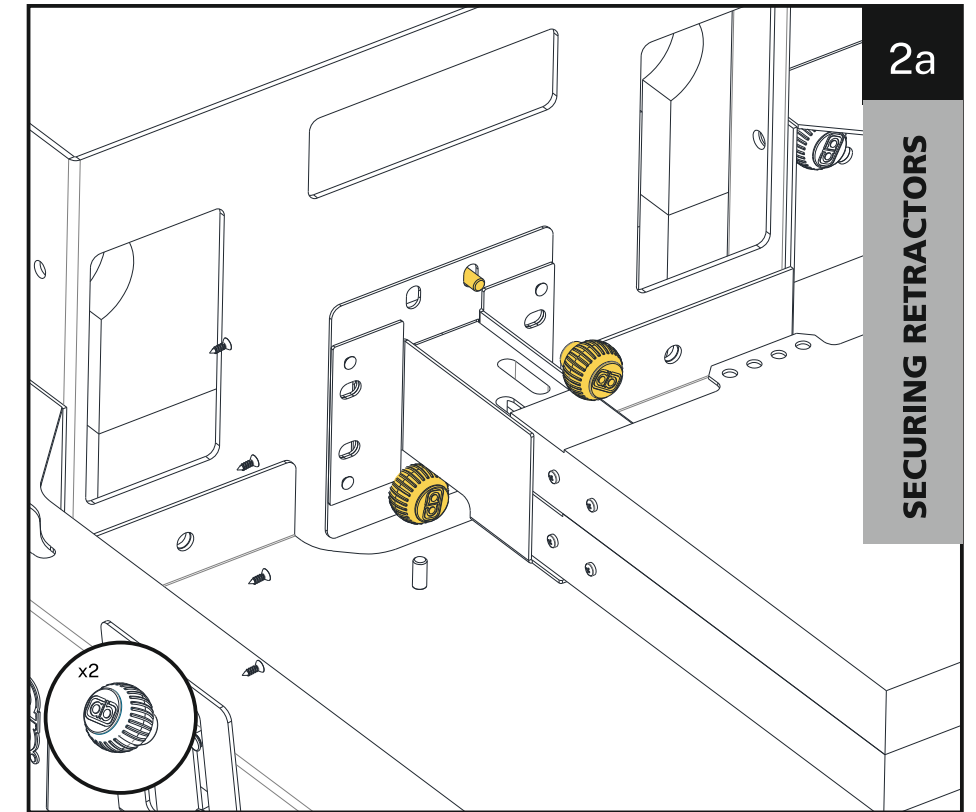
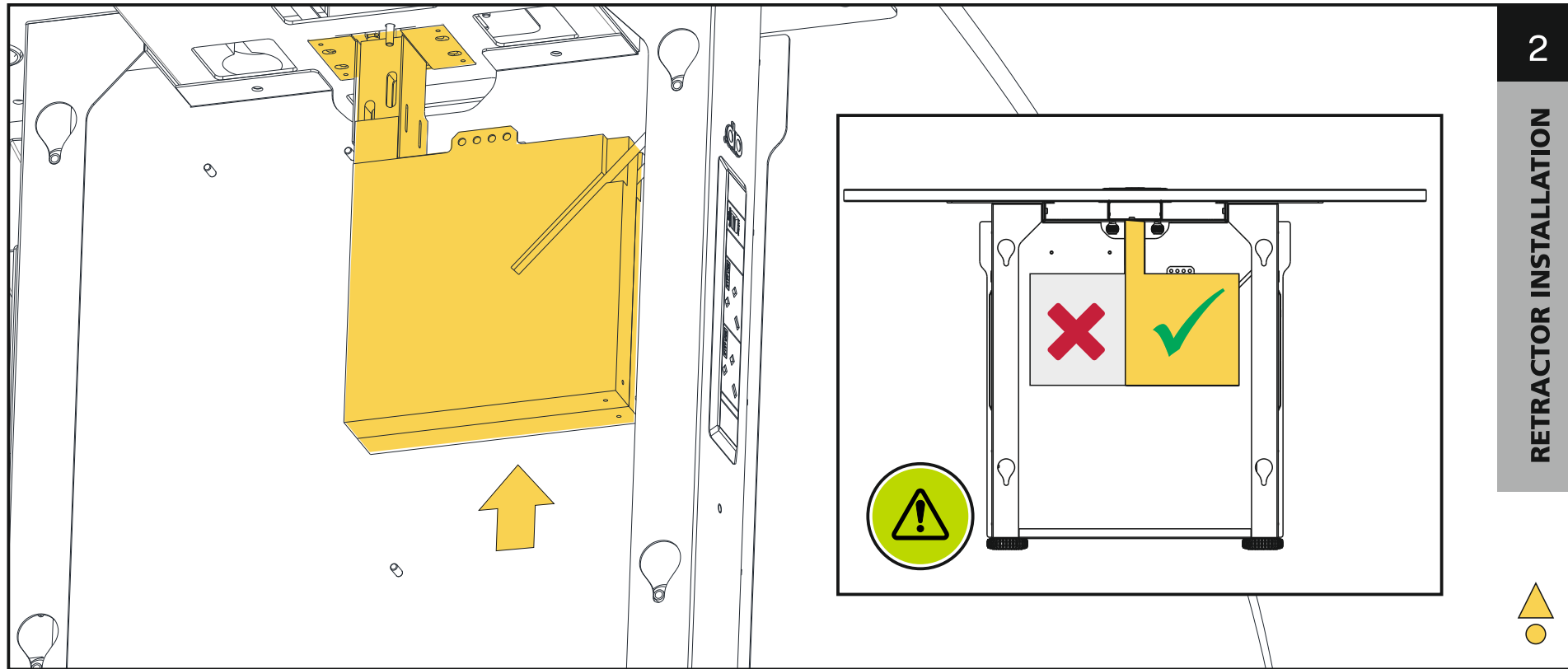
USB-C Retractor (Part No. 900-00490)

HDMI Retractor (Part No. 900-00489)



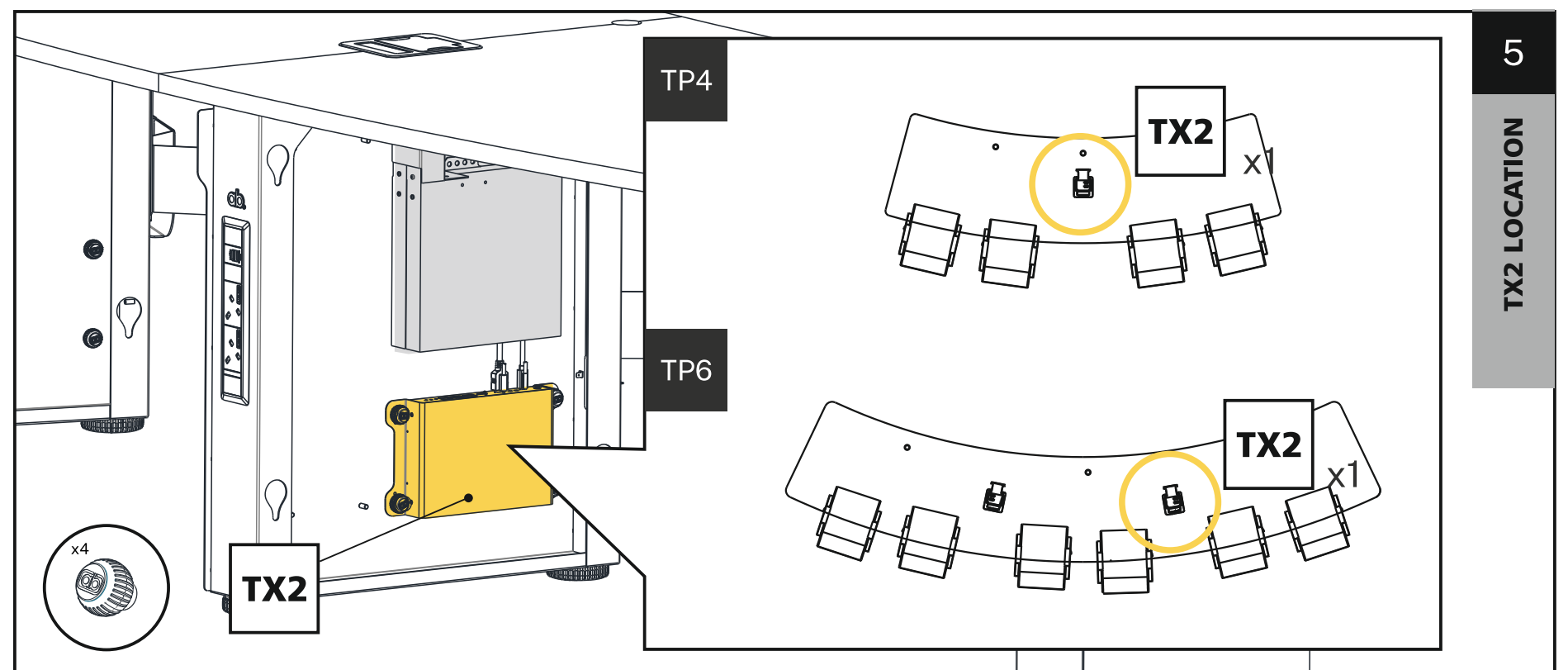
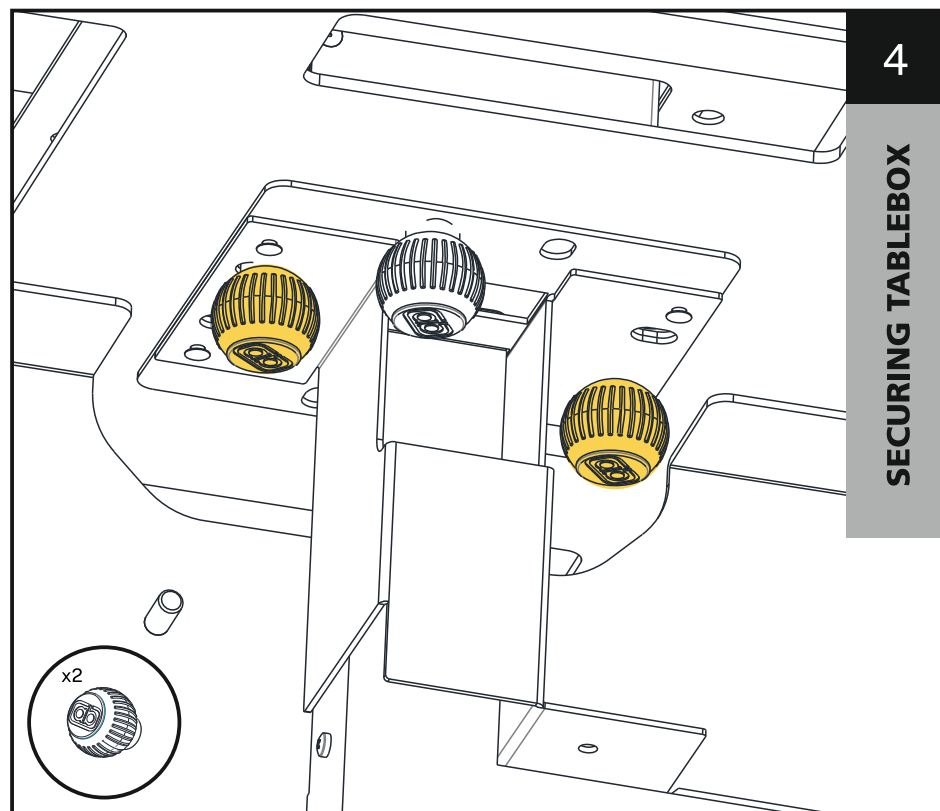
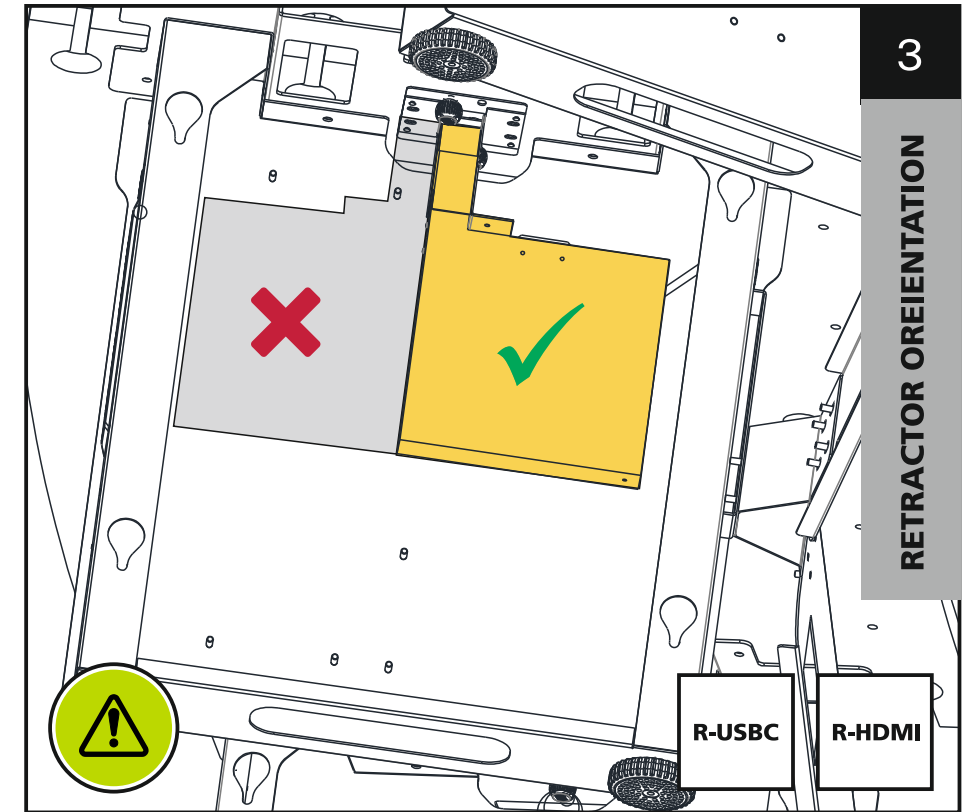
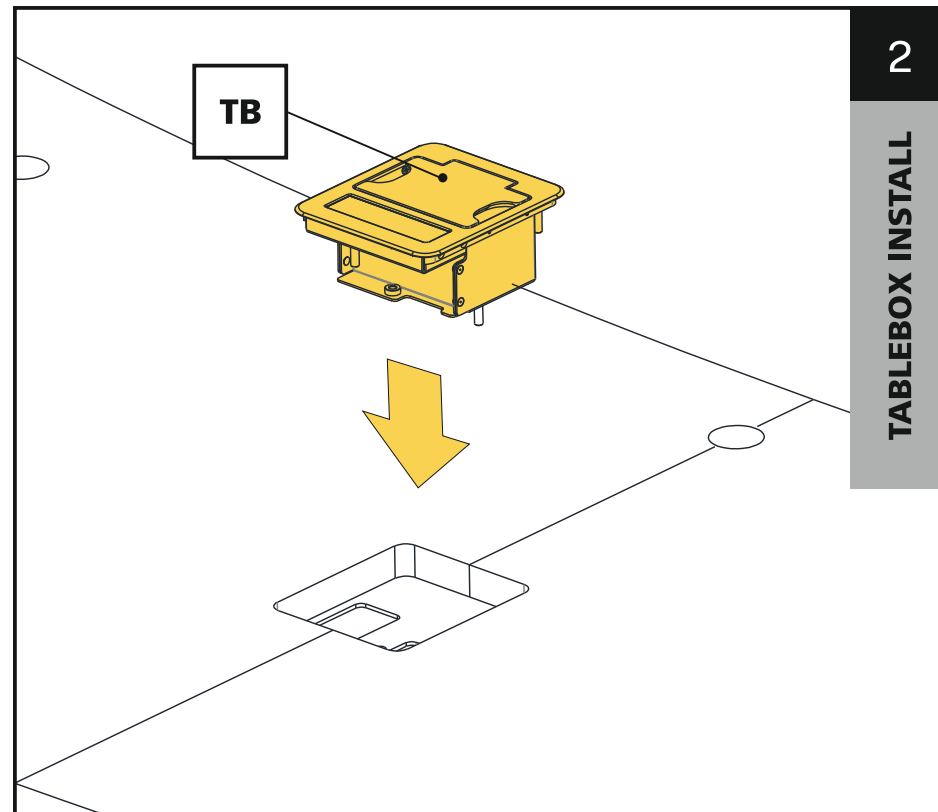
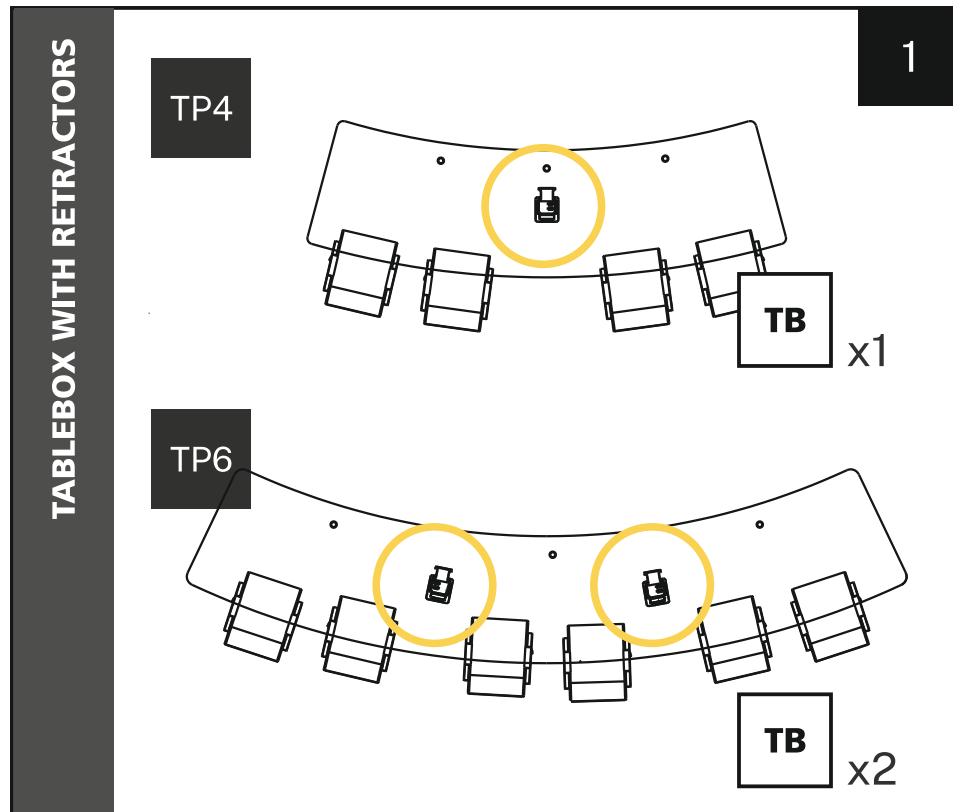
NOTE: One or two Retractors can be fitted





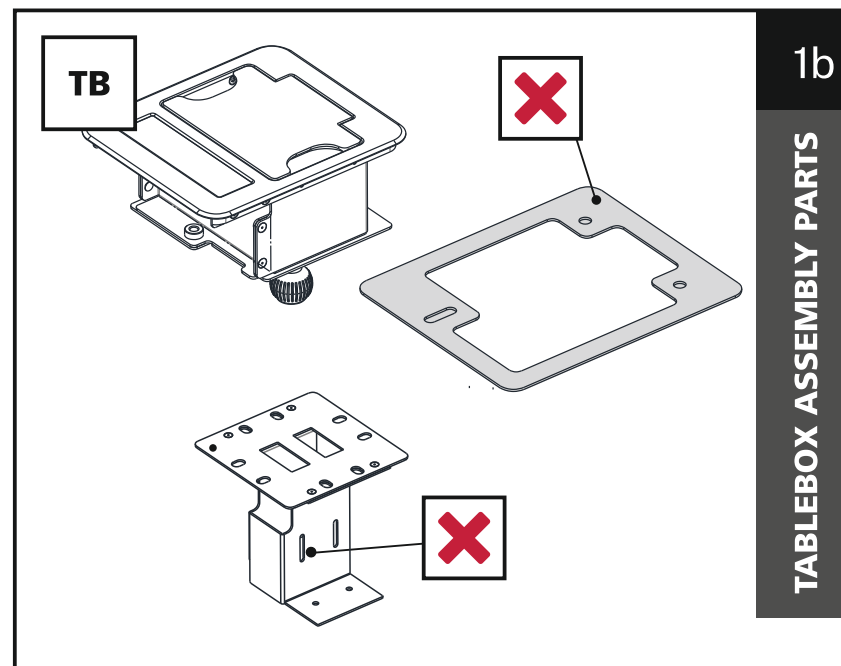
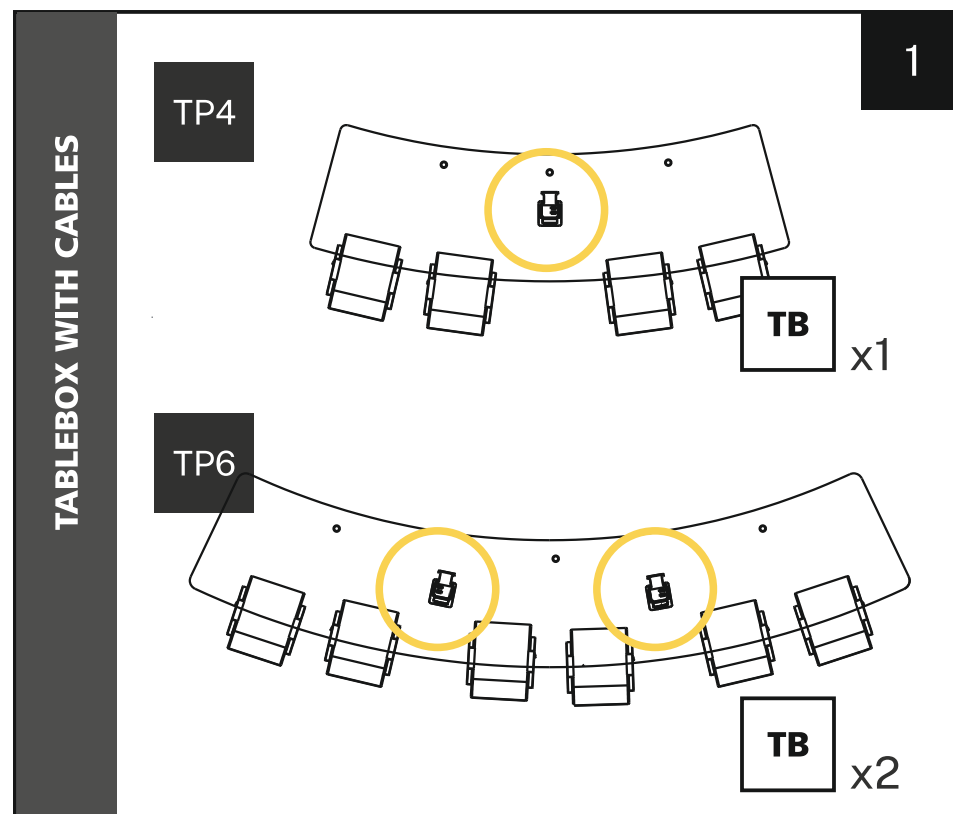
8. Installing The Tablebox into Ashton Bentley Telepresence Tables, with:

**AB Retractors
AB Input Cables**

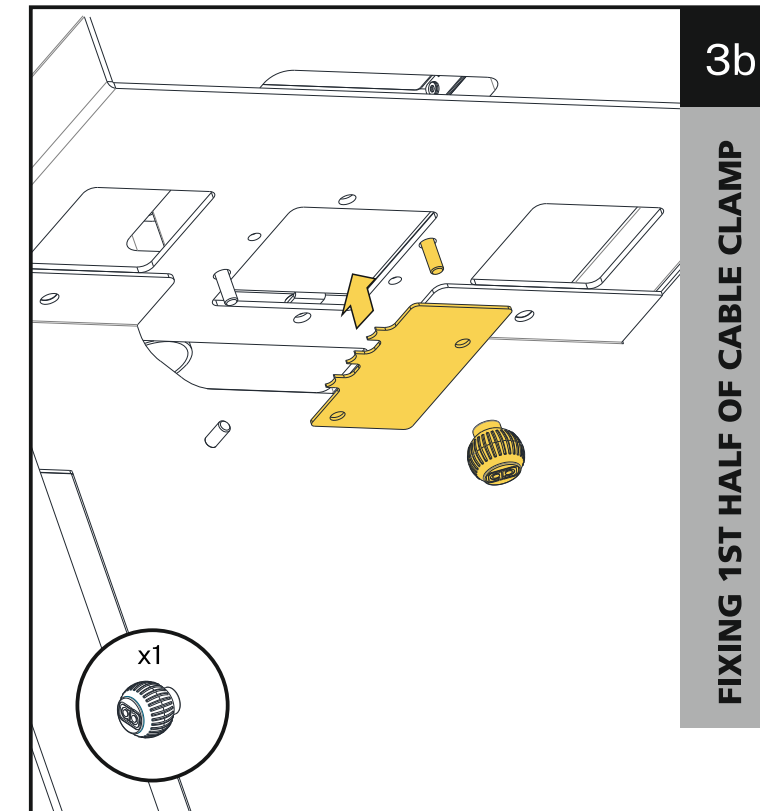
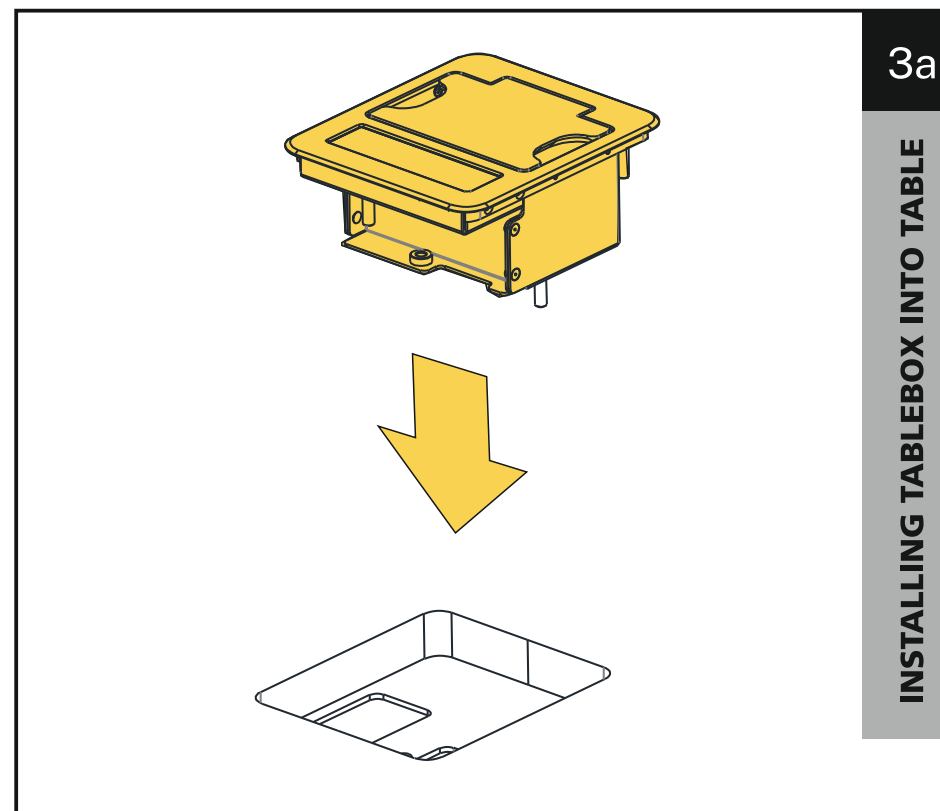
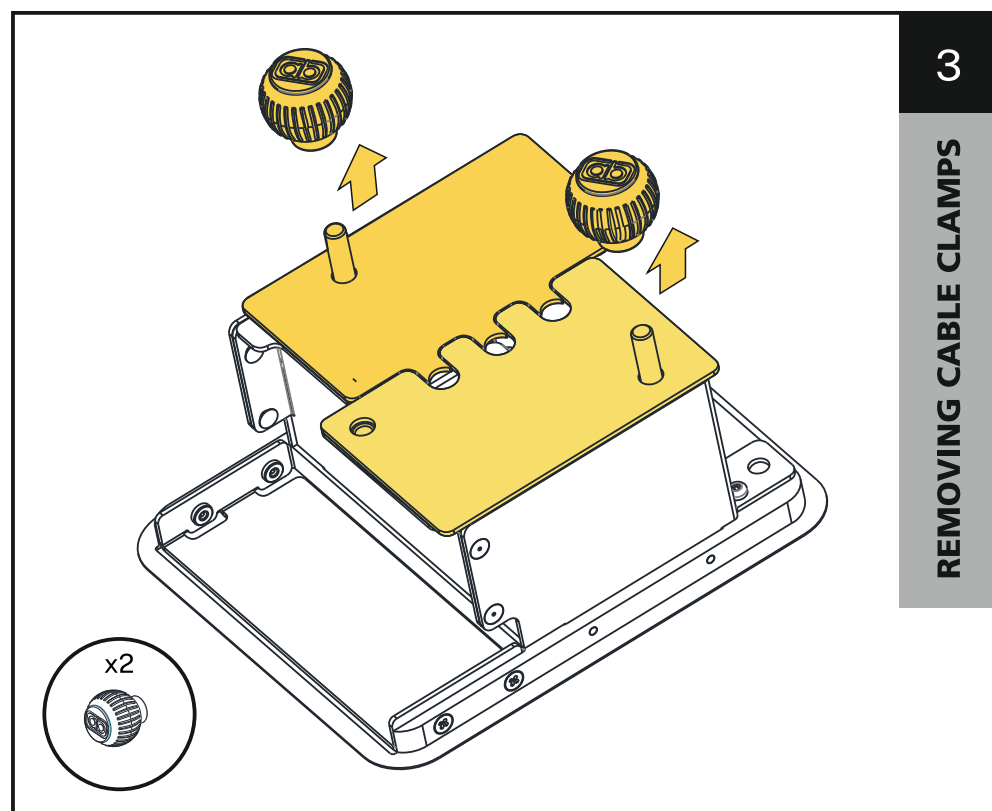
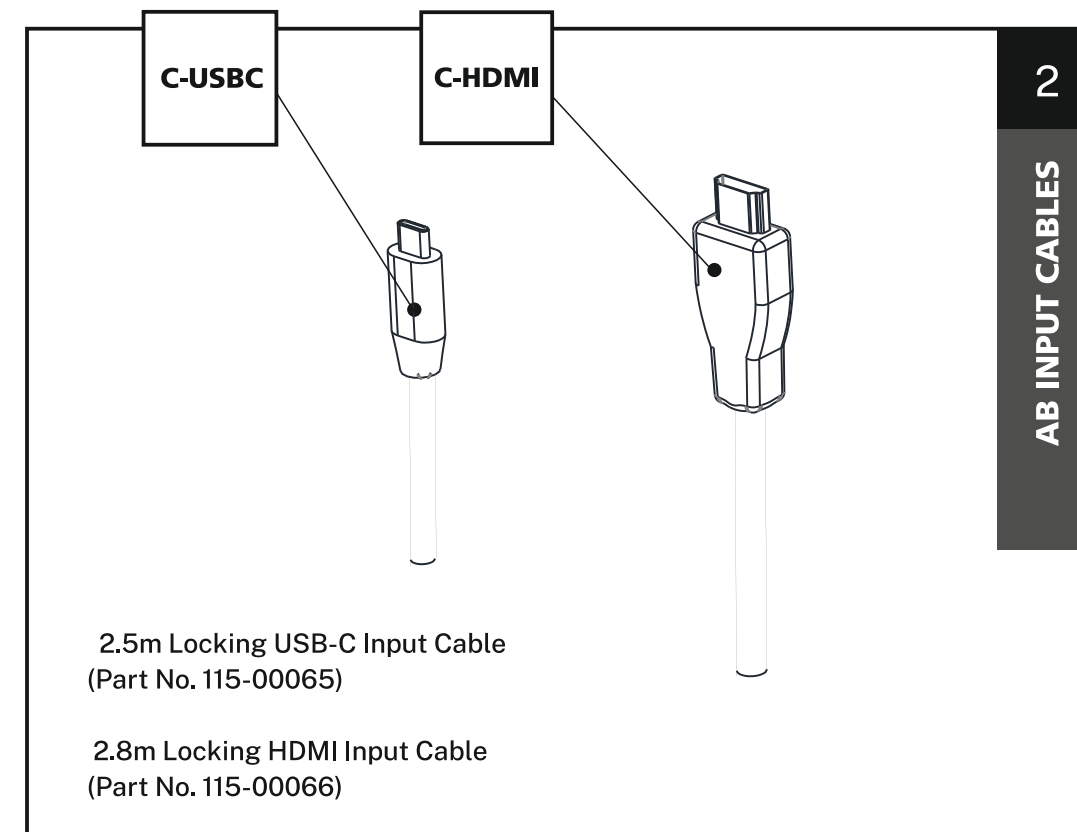


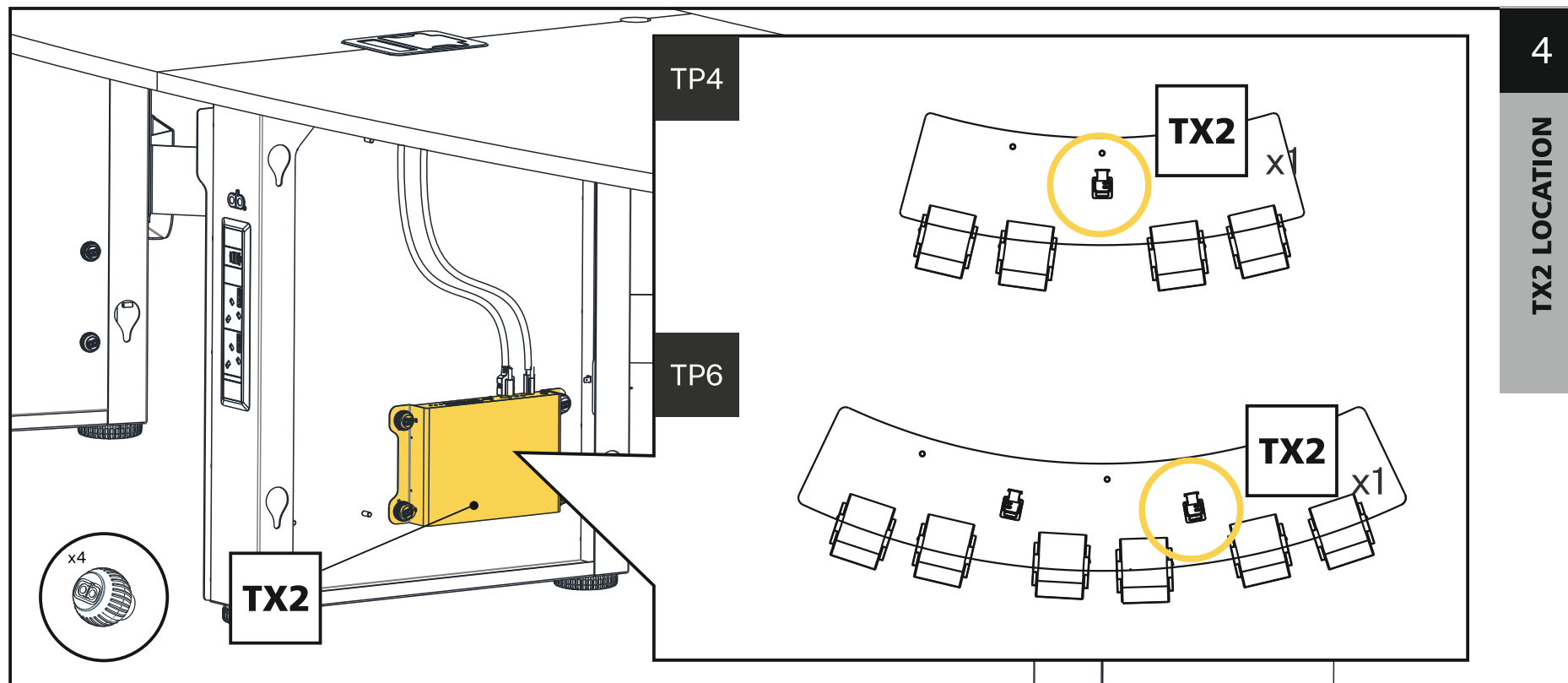
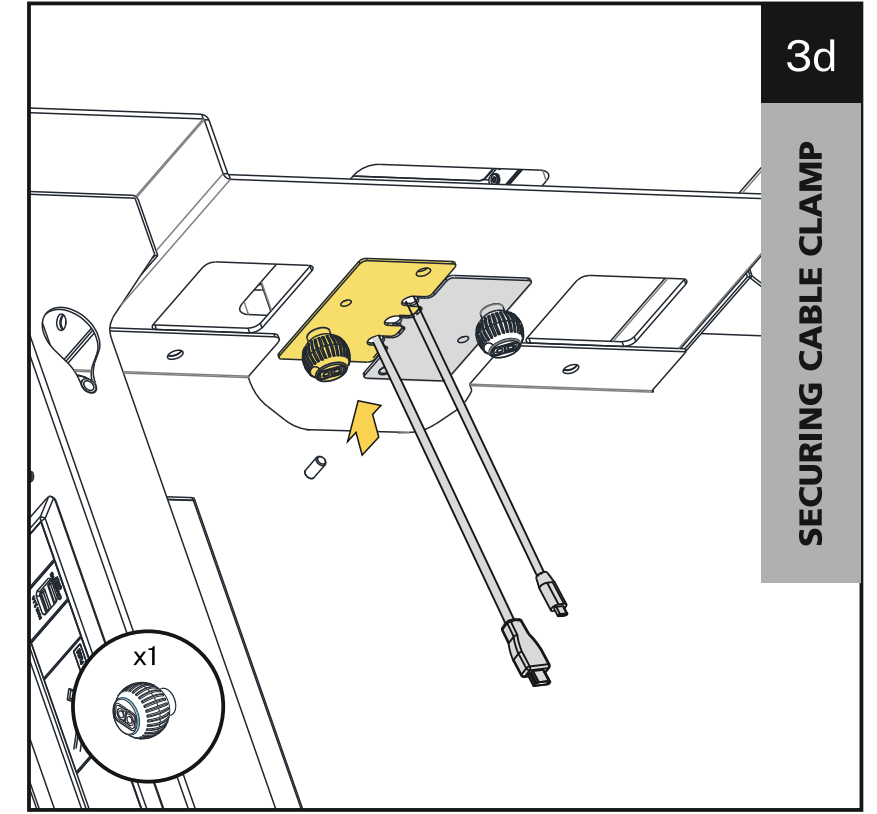
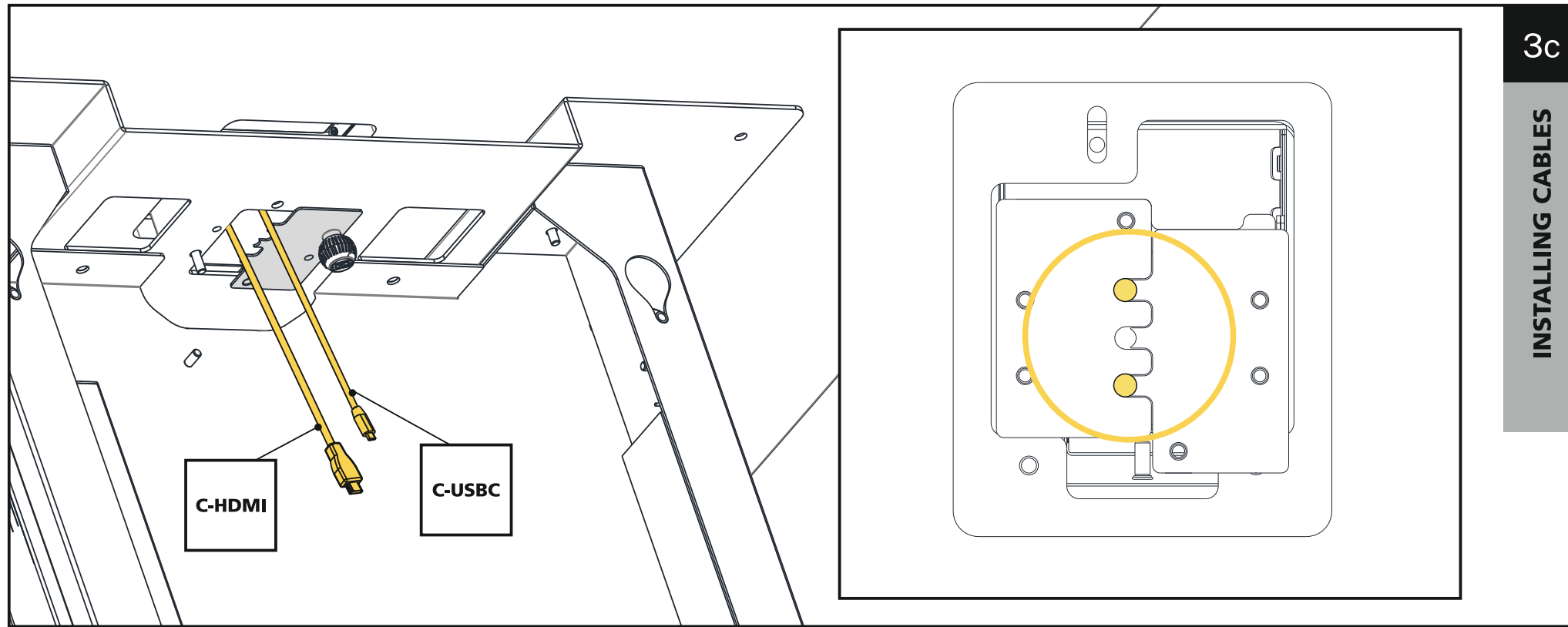
TB - Tablebox.

Assembly Guide



NOTE: One or two cables can be fitted





9. Tablebox Connectivity

