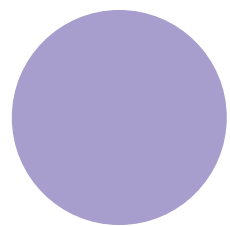


ST10

ST10 - Shaped 10 Seat Table Assembly Guide



ST10 - Shaped 10 Seat Table.

Assembly Guide



Please read before proceeding.

Before proceeding with assembly, connection, and operation, please ensure that you read this document fully, and any additional documentation that may be included with the product.

Please keep this Assembly Guide for future reference.

We have tried to make this Assembly Guide as simple as possible to follow, however we are always keen to improve. So if you find anything that is not clear or inaccurate, please let us know by sending your suggestions to: support@ashtonbentley.com.

Trademark Information

Ashton Bentley®, and the names and marks associated with Ashton Bentley Group Limited's products, are trademarks and/or service marks of Ashton Bentley Trading Limited, and are registered and/or common law marks in the United Kingdom and various other countries. All other trademarks are property of their respective owners.

Patent Information

The accompanying product is protected by one or more UK, EU, US, and foreign patents and/or pending patent applications held by Ashton Bentley Trading Limited.

No part of this documentation may be reproduced or transmitted in any form or by any means, electronic or mechanical, for any purpose, without the express written permission of Ashton Bentley Trading Limited. Under the law, reproducing includes translating into another language or format. As between the parties, Ashton Bentley Trading Limited retains title to and ownership of all proprietary rights with respect to the software contained within its products.

Any software is protected by copyright laws and international treaty provision. Therefore, the software must be treated like any other copyrighted material (e.g., a book or sound recording).

Every effort has been made to ensure that the information in this manual is accurate. Ashton Bentley Trading Limited is not responsible for printing or clerical errors. Information in this document is subject to change without notice.

www.ashtonbentley.com

23 Schooner Court, Crossways Business Park, Dartford, DA2 6NW, United Kingdom.

© 2024 Ashton Bentley Trading Limited All rights reserved

1. Important Safety Information

ST10 - Shaped 10 Seat Table.

Assembly Guide

Important safety information.

General

The following information and precautions should always be followed to reduce the risk of damage or injury. If in any doubt about installation, operation or maintenance please contact your vendor or Ashton Bentley.

- Follow all warnings and instructions in this document and marked on the equipment.
- Allow plenty of space in the construction area.
- Only operate the system indoors, in a dry environment.
- Always use suitable cable management or install cables under a raised floor to avoid trip hazards.
- Do not block or cover any vents on the products.

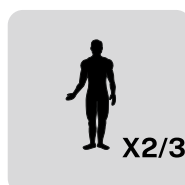
Displays, Chassis and Tables.

As some parts are large and heavy, we recommend a two-person assembly.

If tethering a Chassis to a wall using the supplied Ashton Bentley Wall Brackets, ensure the wall is solid, stable, and that suitable fixings (not provided) are used.

Recommendations and warnings.

Symbols are used where extra attention is required. For example, if an item is heavy and requires a minimum number of personnel.



Electrical.

If the incoming mains electrical feed is unstable or prone to transient input voltage spikes of more than 1KV, we recommend the use of a surge protector connected to the power input cable.

If any of the following are noticed, then do not use the product until everything is back to a fully safe state:

- Damaged power cables, plugs, power supplies/adapters, extension cords or surge protectors
- Signs of overheating, such as smoke, sparks, or fire.
- Signs of liquid ingress or an object that has fallen onto the electronic elements of the product, the power cable, or the power supply/adaptor.

Note:

Never wrap a power cable around a power supply/adaptor or other object. Always route power cables so that they will not be walked on, tripped over, or pinched by objects.

Do not use any power supply/adaptor that shows corrosion at the ac input pins or shows signs of overheating (such as deformed plastic).

The power cable and supply/adaptor provided with this product are intended to be used with this product only. Do not use them with any other products. The use of 3rd party power supplies/adaptors will invalidate the warranty.

Do not use the system, disconnect any cables, perform installation, maintenance, or reconfiguration of this product during an electrical storm.

Any product not supplied by Ashton Bentley should not be used if any of the above or other faults are experienced. Immediately disconnect from the Ashton Bentley product, along with the power supply and contact the product manufacturer for further instructions, or until a suitable replacement can be made.

2. Product Components

ST10 - Shaped 10 Seat Table.

Assembly Guide

Product Components.

The product is supplied in one or more cartons. The contents, with Carton ID, are listed below.

Please note anything missing and report back to you supplier.

Small Table Leg (with 2 x Dual Power Outlets & USB Charging) (Part No. 900-00545)

**One leg supplied*

1x	Slim Table Leg Upright (Small) Assembly	810-002391
1x	Slim Table Leg Cover (Small) Assembly	810-00284



Medium Table Leg (with 2x Dual Power Sockets & USB Charging) (Part No. 900-00546)

**Two legs supplied*

1x	Slim Table Leg Upright (Medium)	810-00285
1x	Slim Table Leg Cover (Medium)	810-00287



Top Plate for Small End Leg Assembly (Part No. 900-00637)

1x	Slim Table Leg Top Plate Assembly (Small)	431-00171
1x	General Table Assembly Fixings Kit	820-00034



Top Plate for Medium End Leg Assembly (Part No. 900-00638)

1x	Slim Table Leg Top Plate Assembly (Medium)	810-00286
1x	General Table Assembly Fixings Kit	820-00034



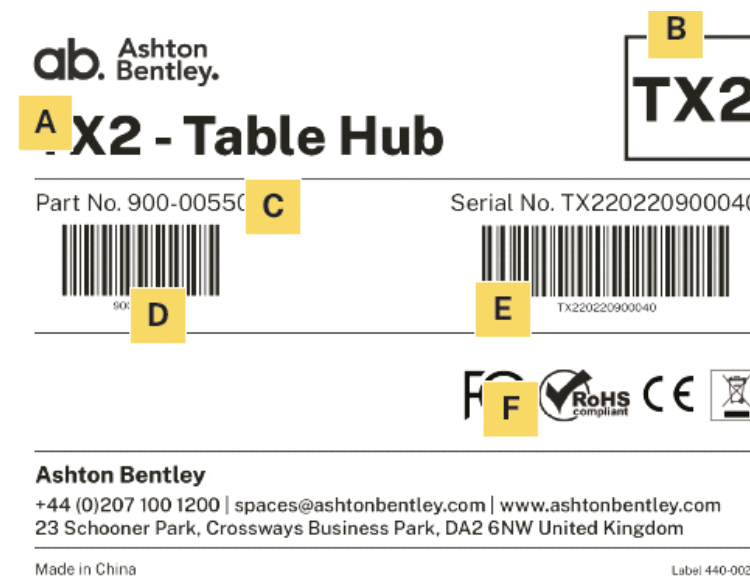
ST7 Shaped 7 Seat Table Surface (Part No. 900-00594)

1x	ST10 Shaped Tablefor8 Surface	431-00159
3x	39mm Circular Cable Grommet	432-00016



Each box will have a label attached that identifies what it contains, plus some additional information. Some labels have more details than others depending on contents.

A sample label looks like this:



- A: Product Description
- B: Box ID
- C: Part Number
- D: Part Number Barcode
- E: Serial Number Barcode (if applicable)
- F: Compliance & Conformity

3. How to use this Assembly Guide

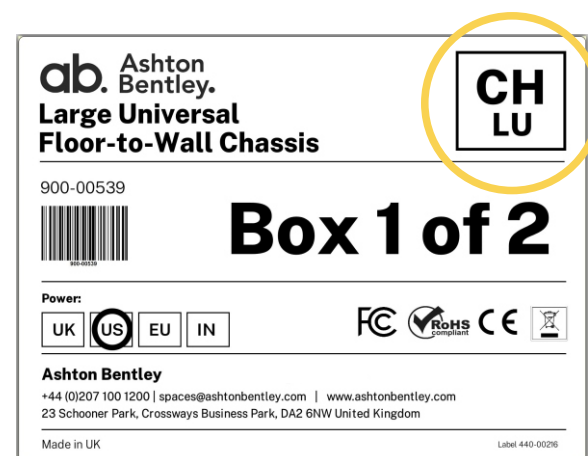
ST10 - Shaped 10 Seat Table.

Assembly Guide

How to use this Assembly Guide.

Product Components

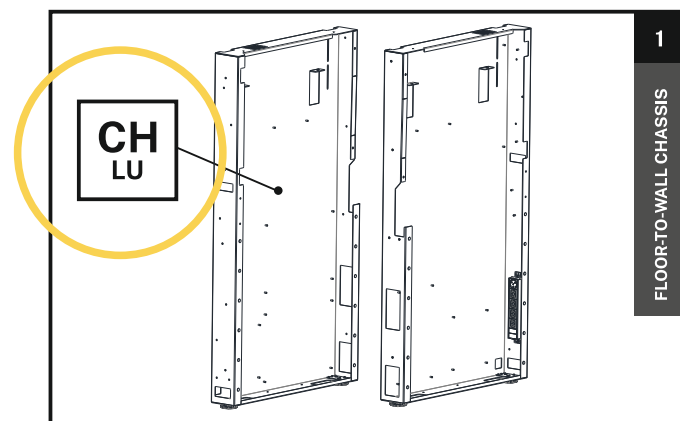
The product is supplied in several boxes. Each box has a label that contains information about the contents and a Box ID which can be located as shown below:



Box ID

Box ID is referenced in the instructions so you can locate the parts required at that point of assembly.

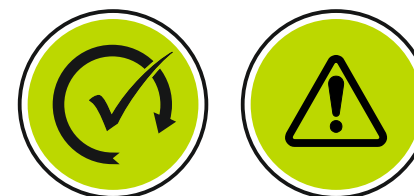
For example, in the instructions:



AB Knobs

The product is assembled using AB Knobs that are designed to be tightened by hand. Always ensure all knobs are secure before proceeding to the next step.

Some parts require particular attention, and these are indicated as follows:



Important instruction

The following symbols show the correct procedure.

Incorrect



Correct



4. Pre-Installation

ST10 - Shaped 10 Seat Table.

Assembly Guide

Notes.

Make sure the work area is clear and safe. Wear any appropriate PPE.

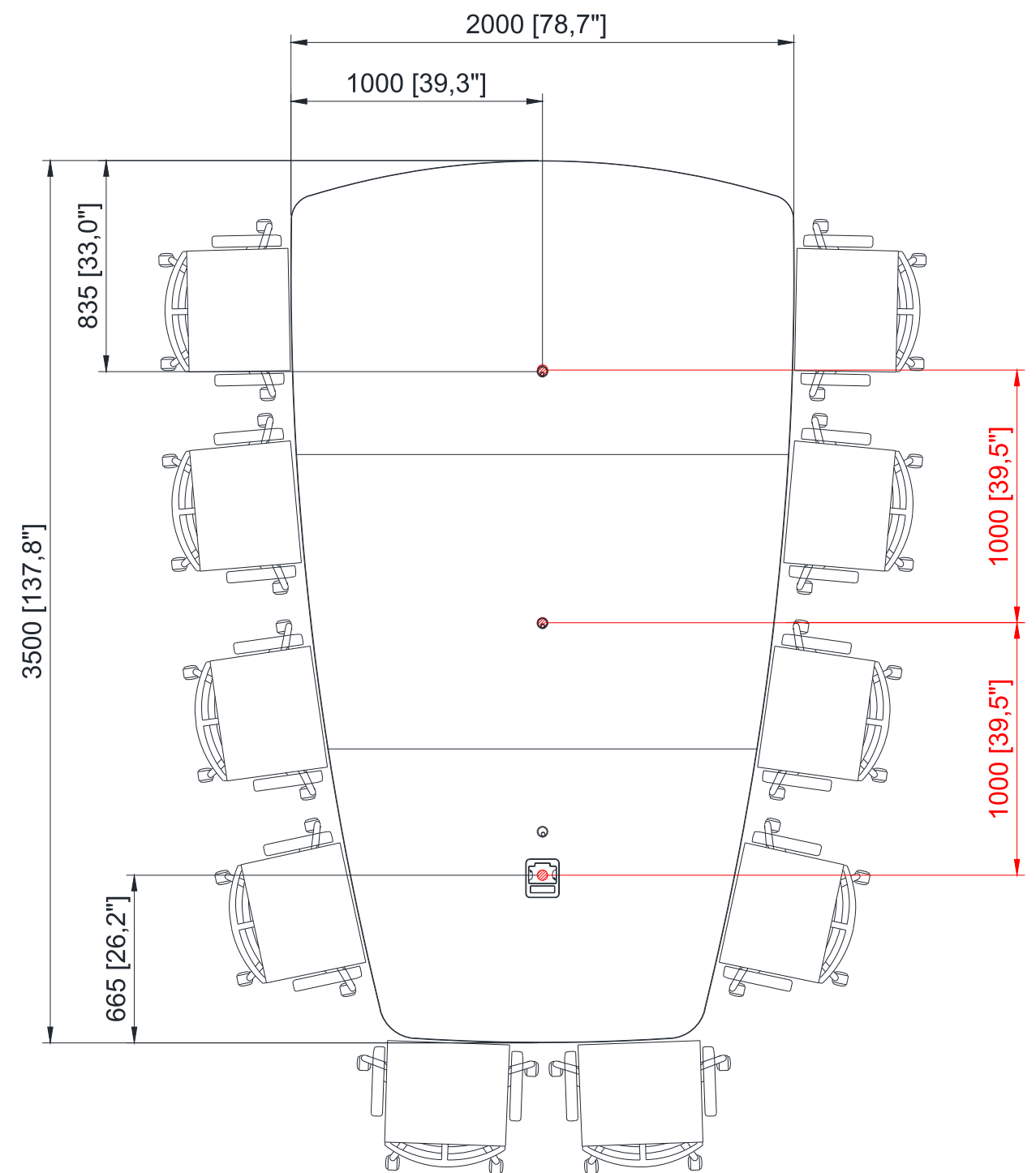
Check if any items are heavy and require more personnel.

If using any power tools, follow all safety protocols.

If integrating with any other manufactures products make sure that these are set-up according to the manufacturer's instructions.

Ensure that any local electrical codes are followed.

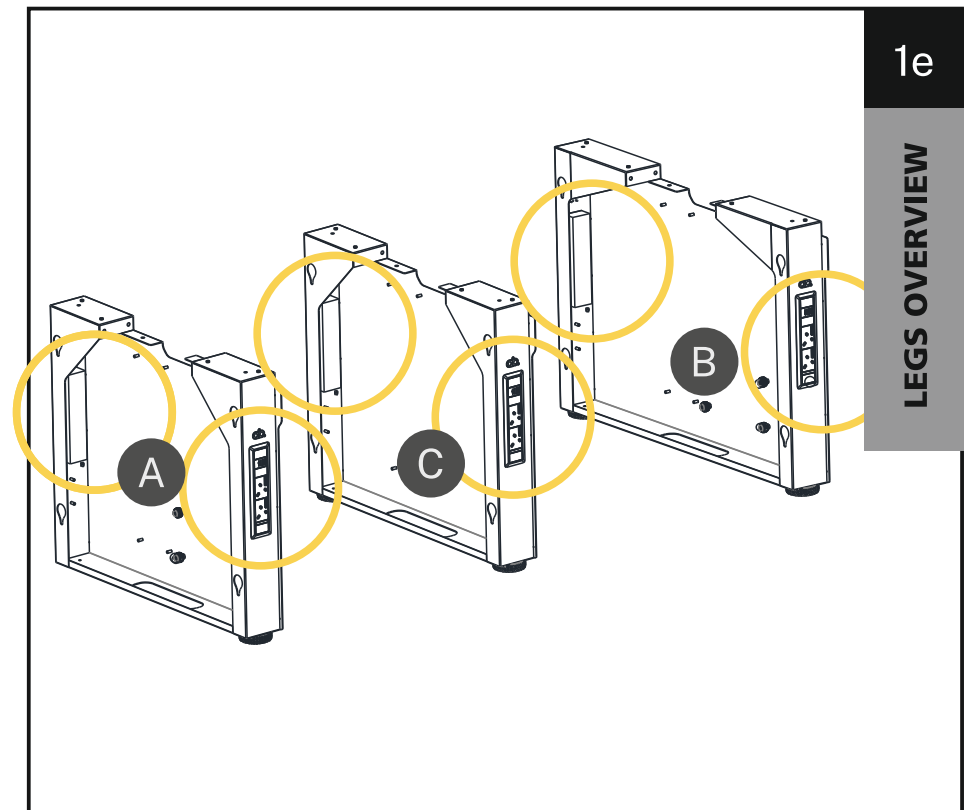
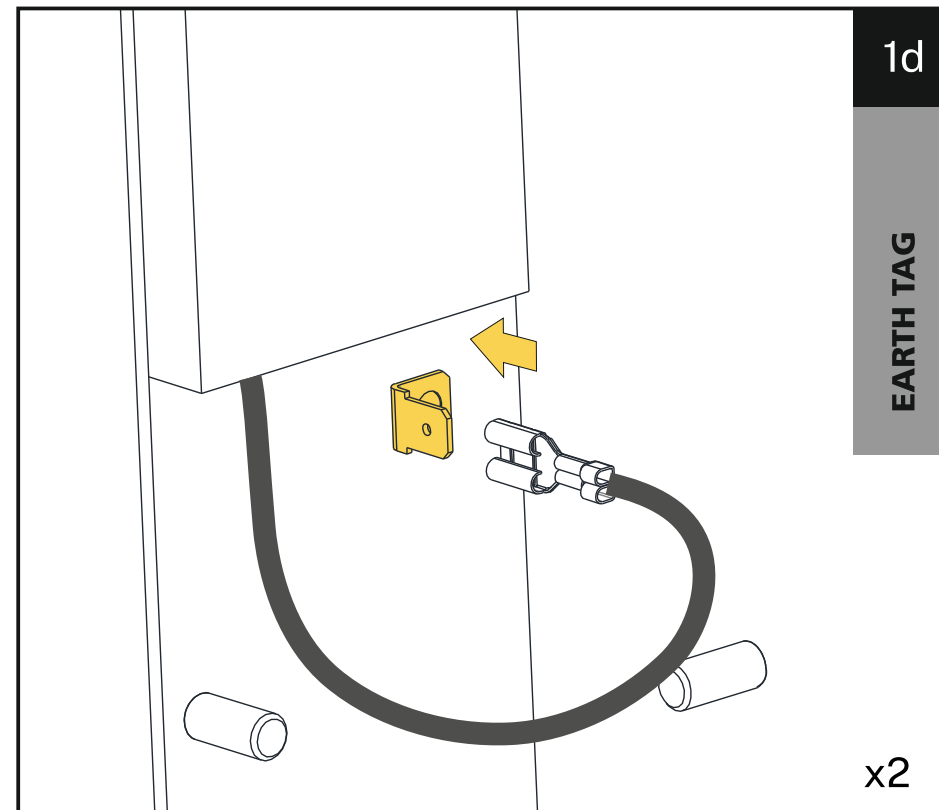
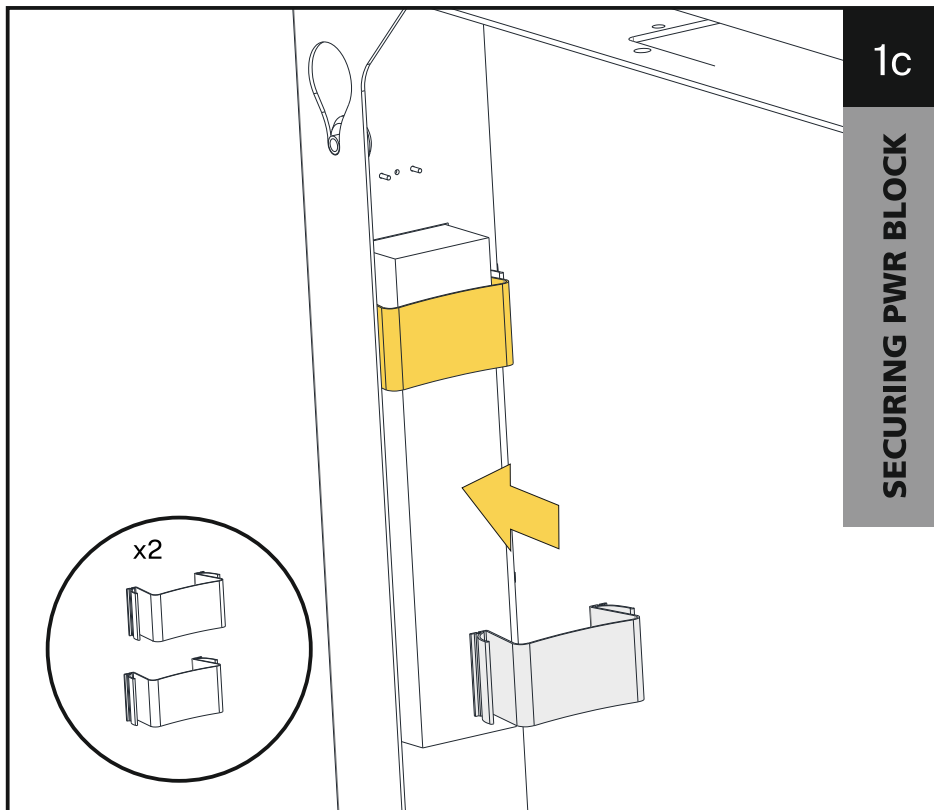
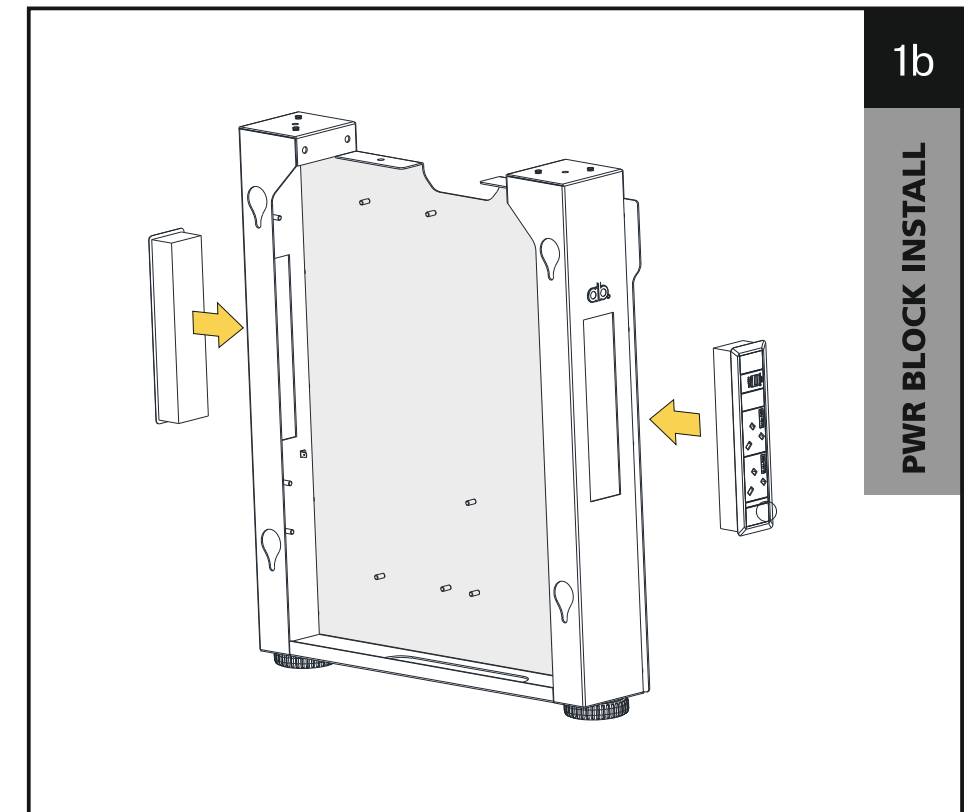
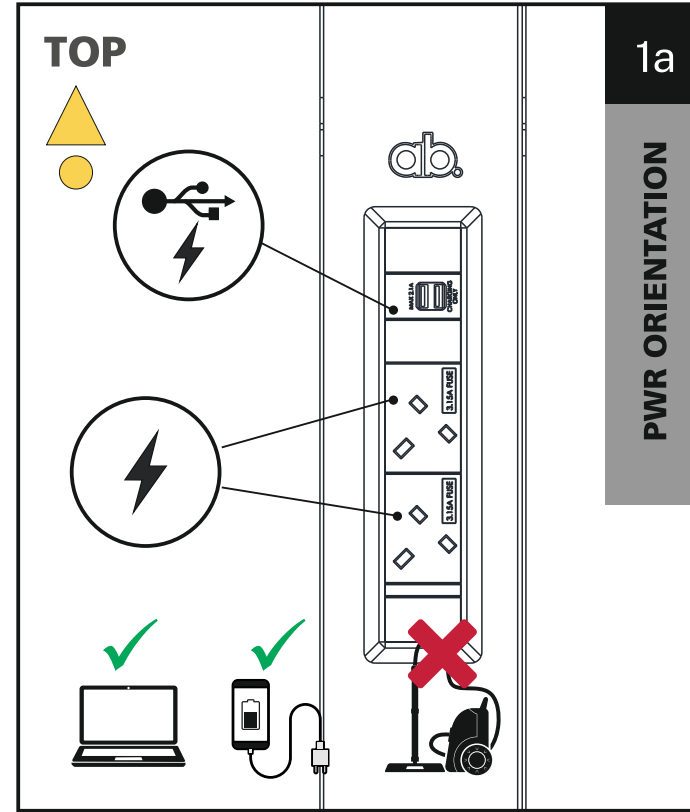
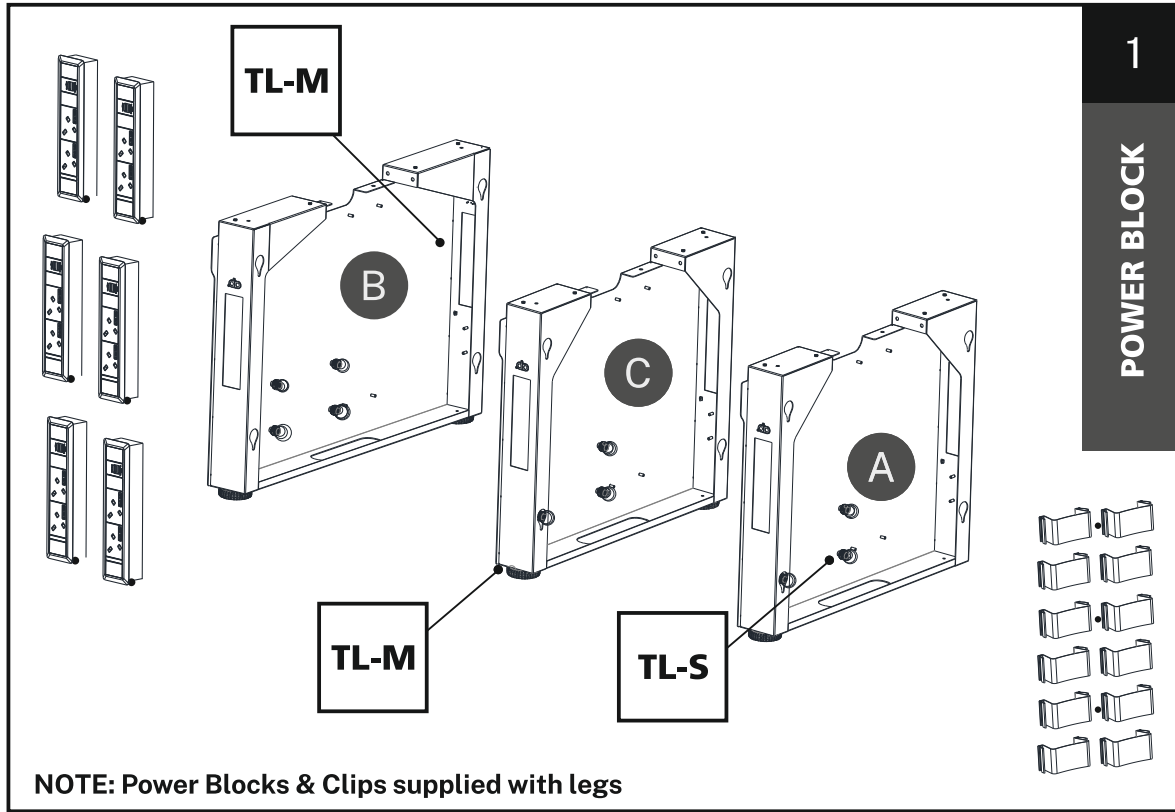
Floor Grommet Placement Dimensions.



5. Assembly

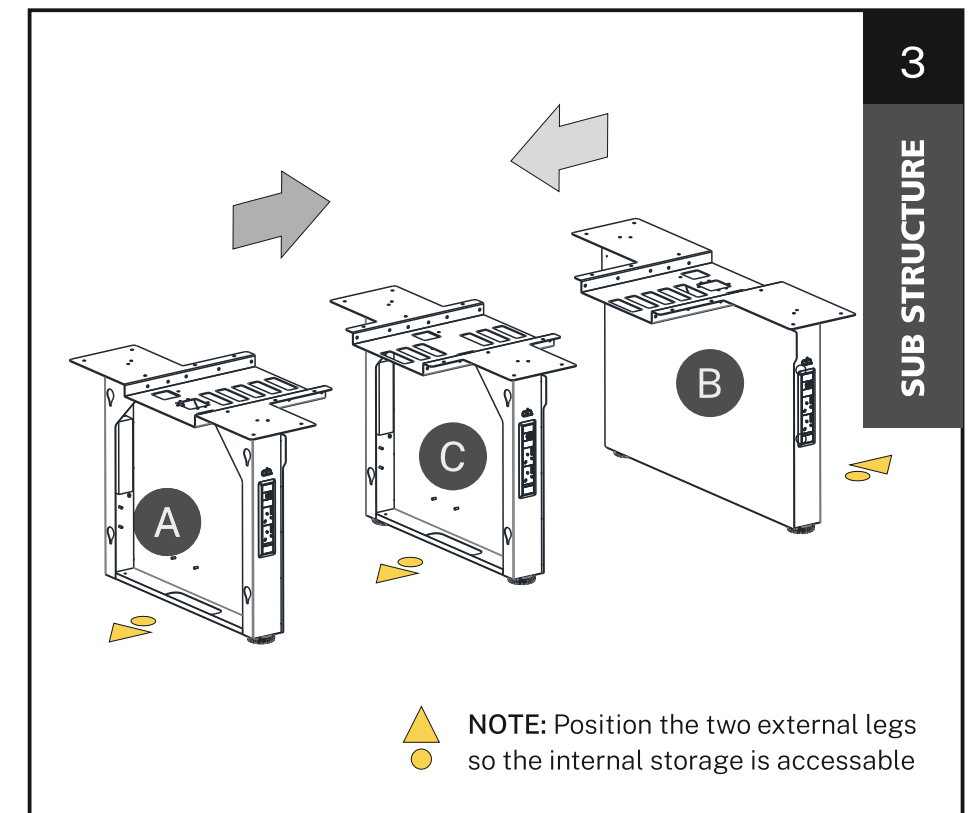
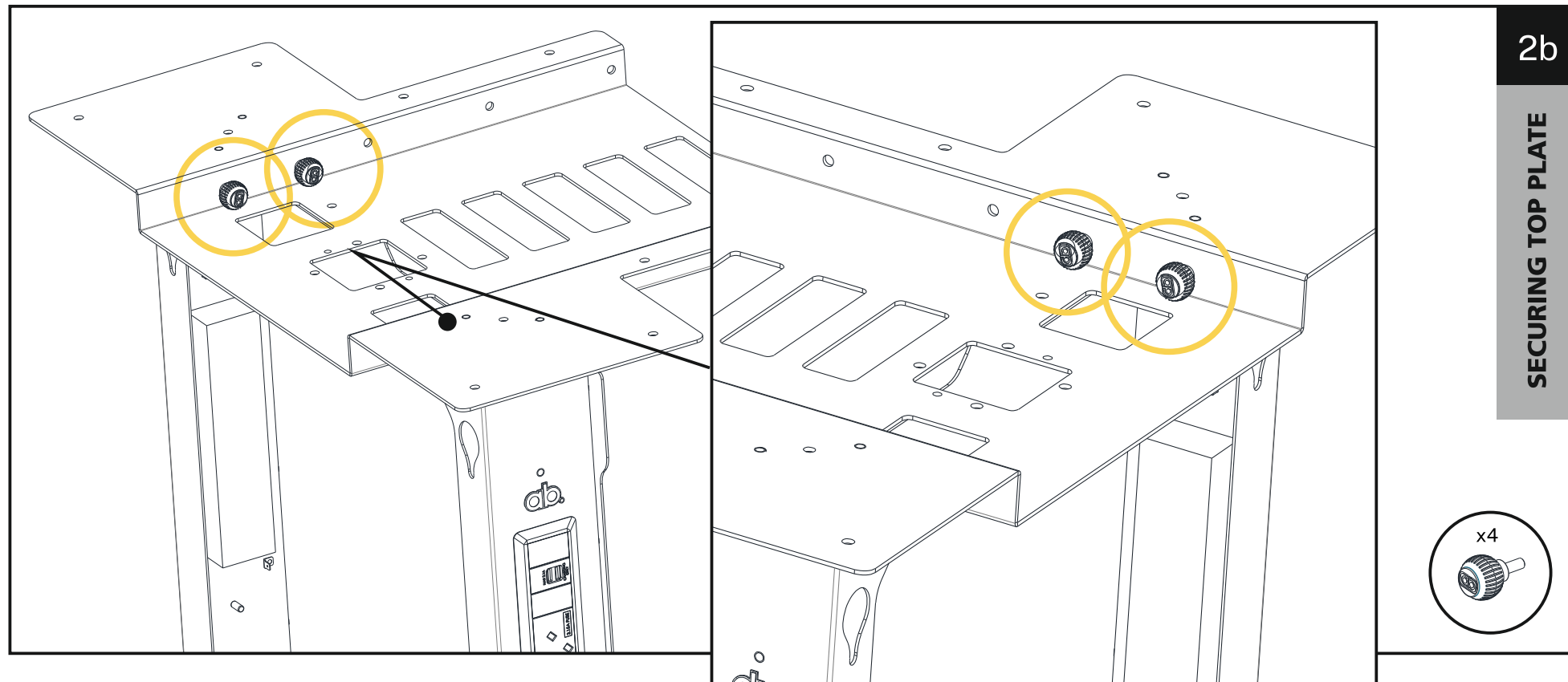
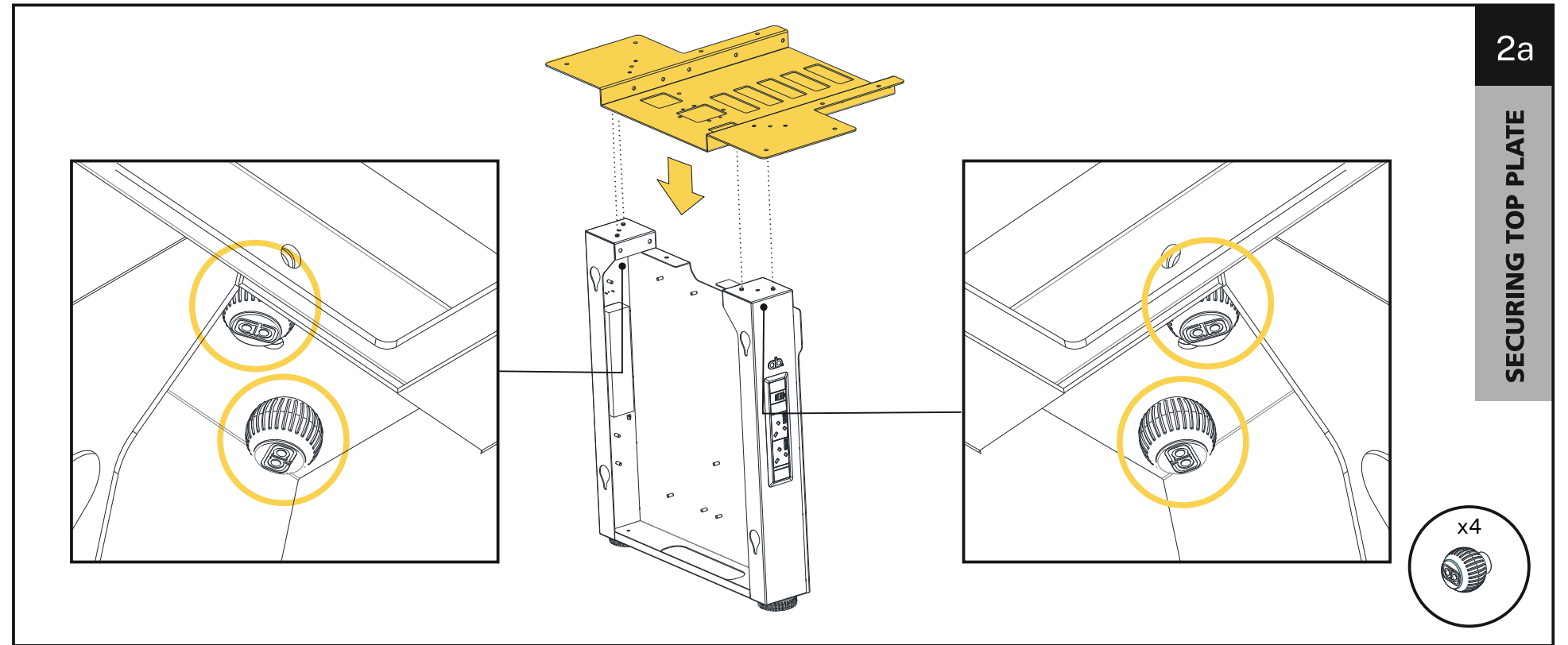
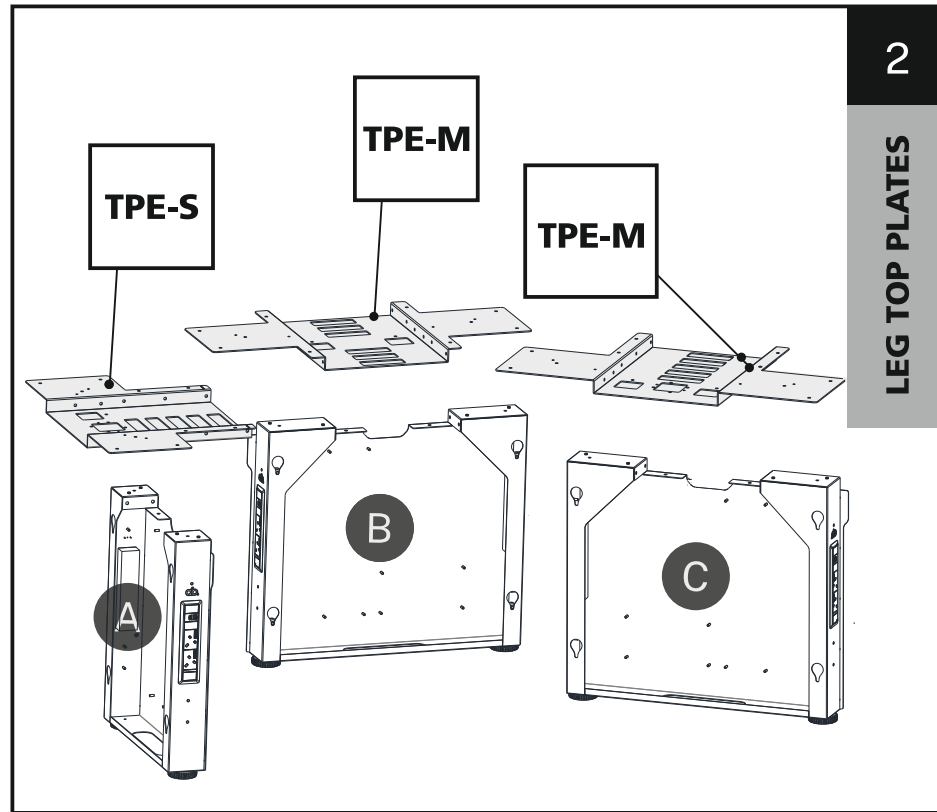
ST10 - Shaped 10 Seat Table.

Assembly Guide



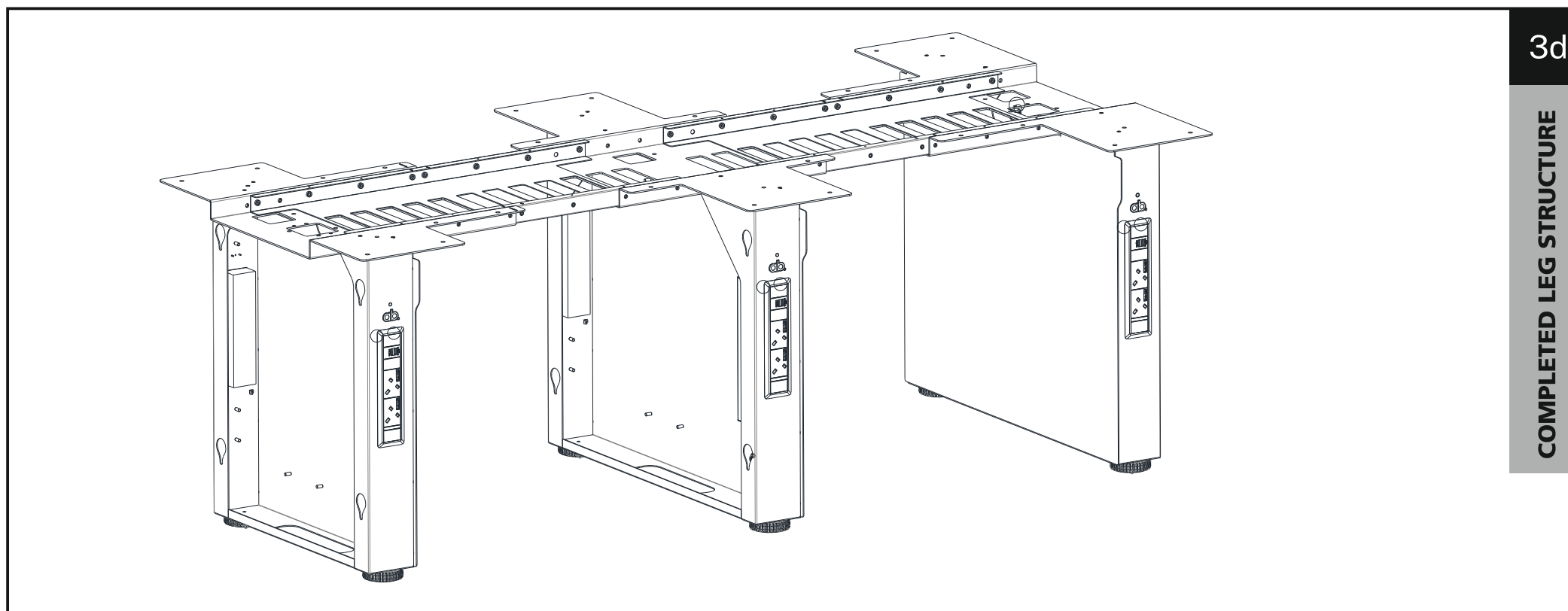
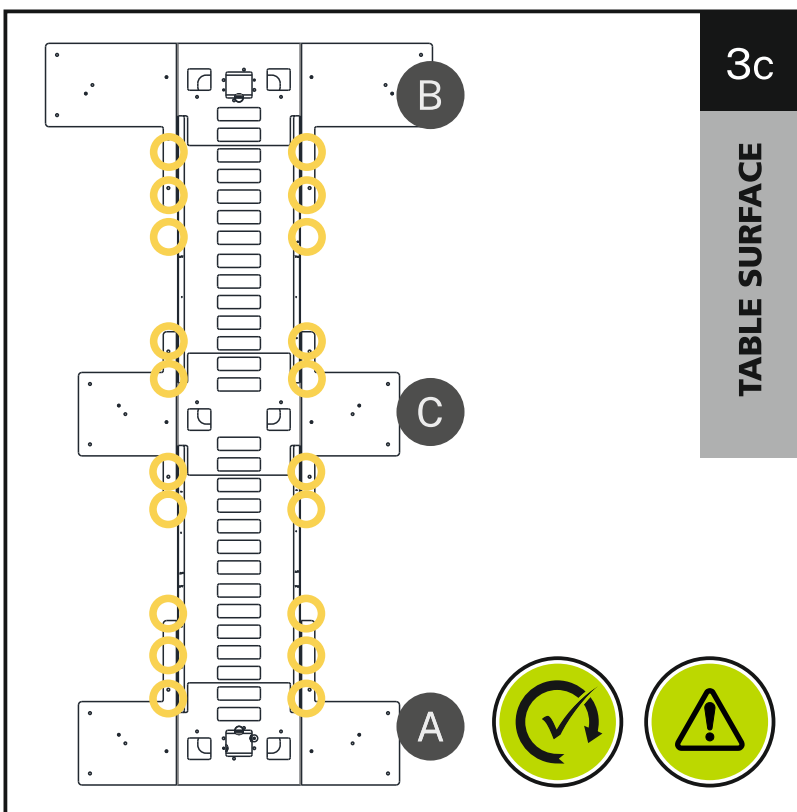
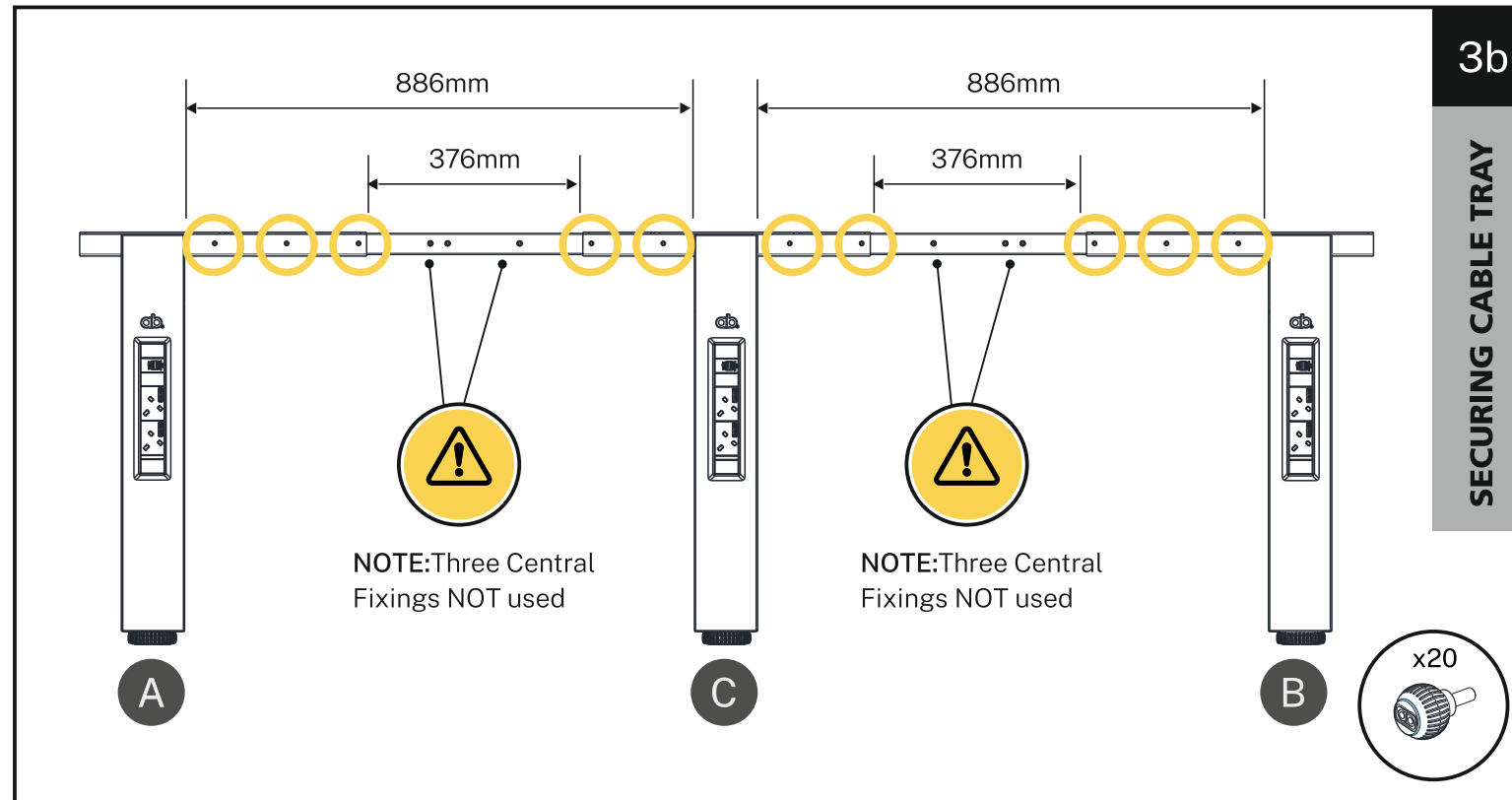
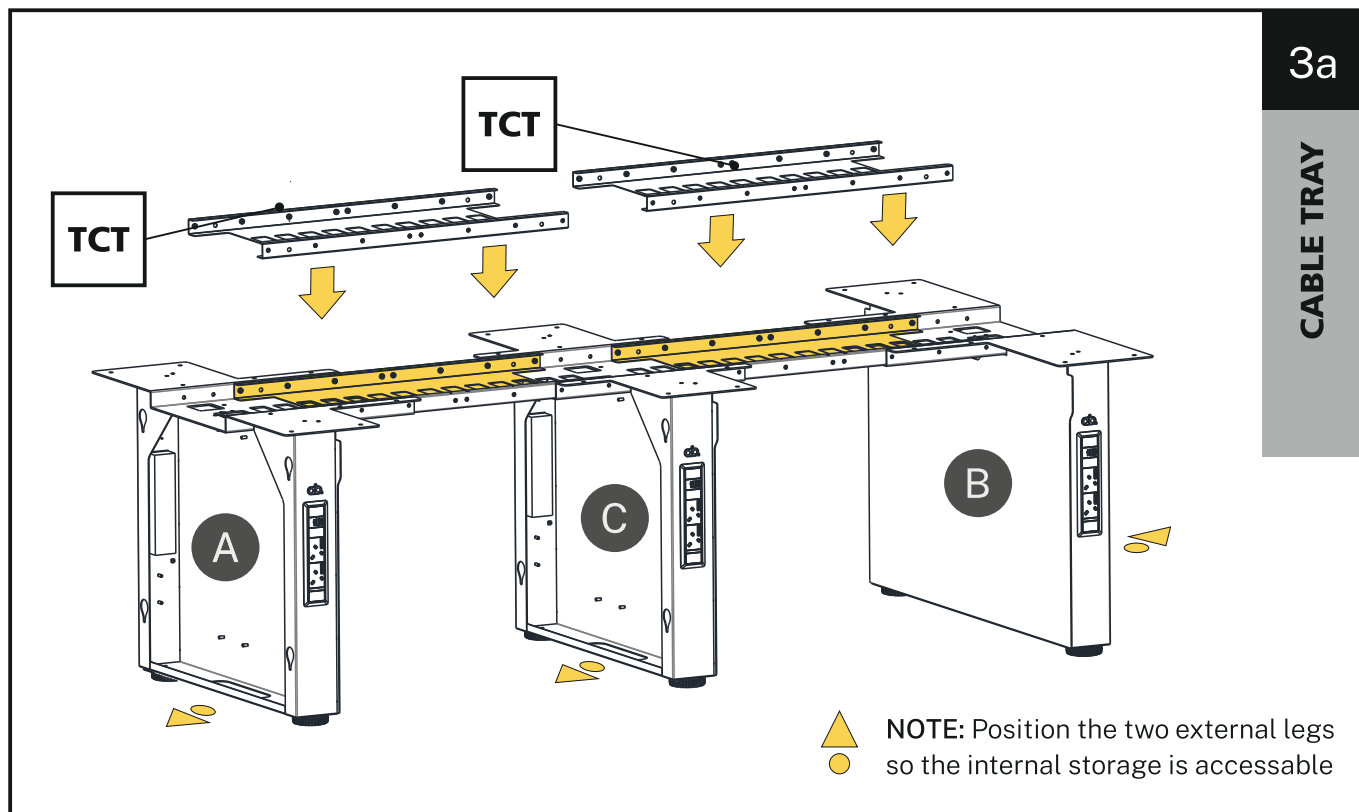
ST10 - Shaped 10 Seat Table.

Assembly Guide



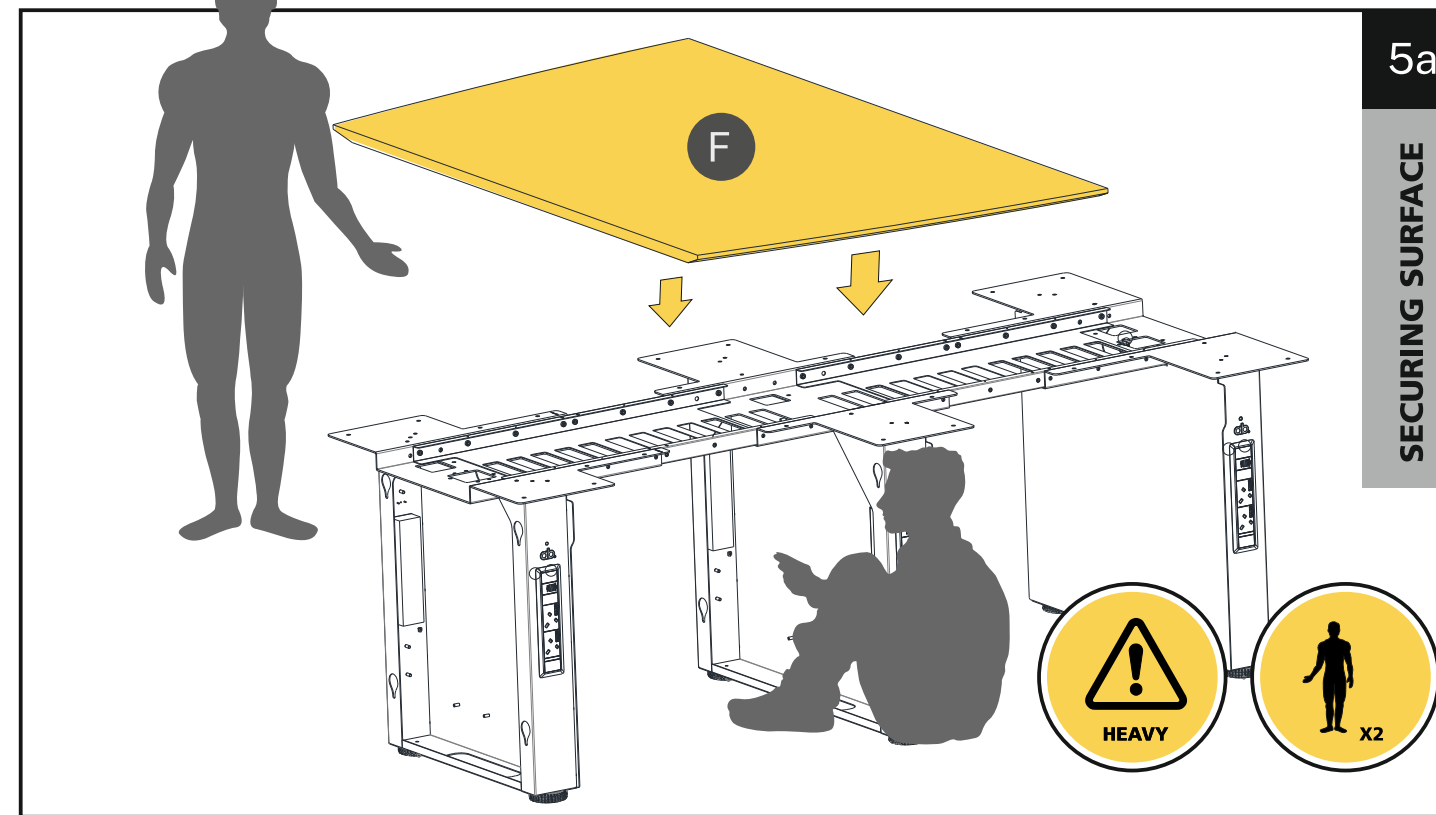
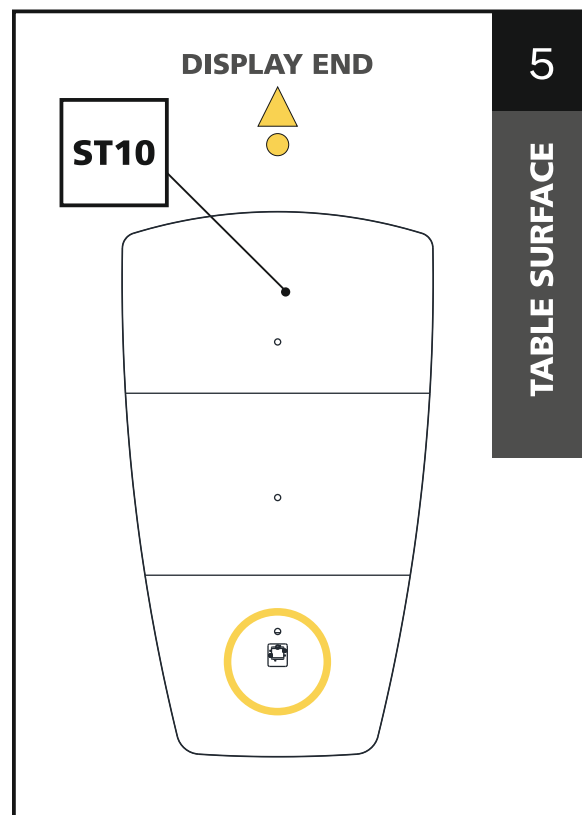
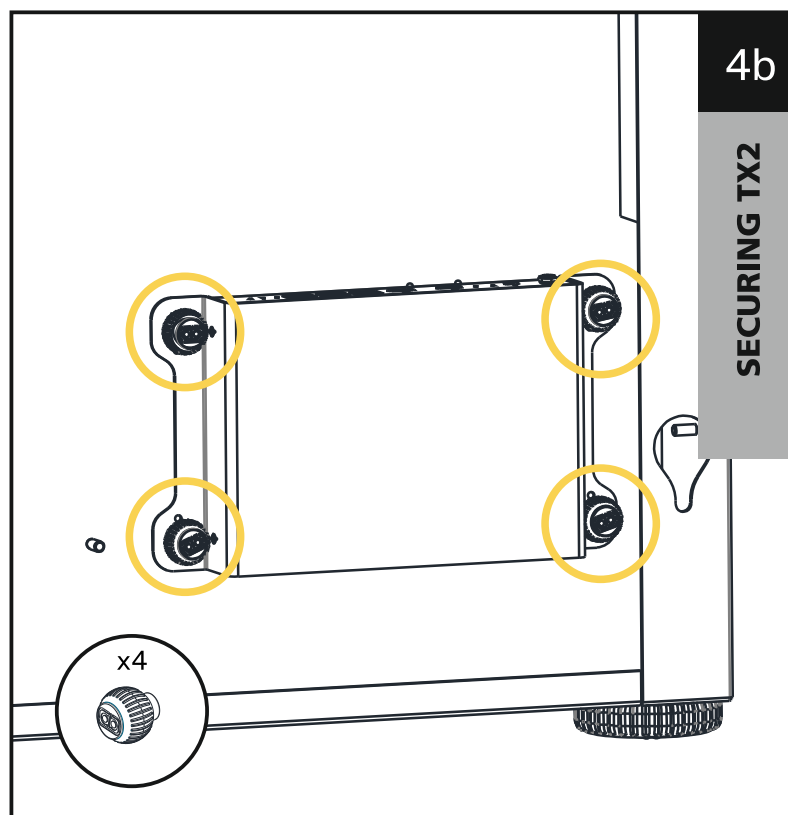
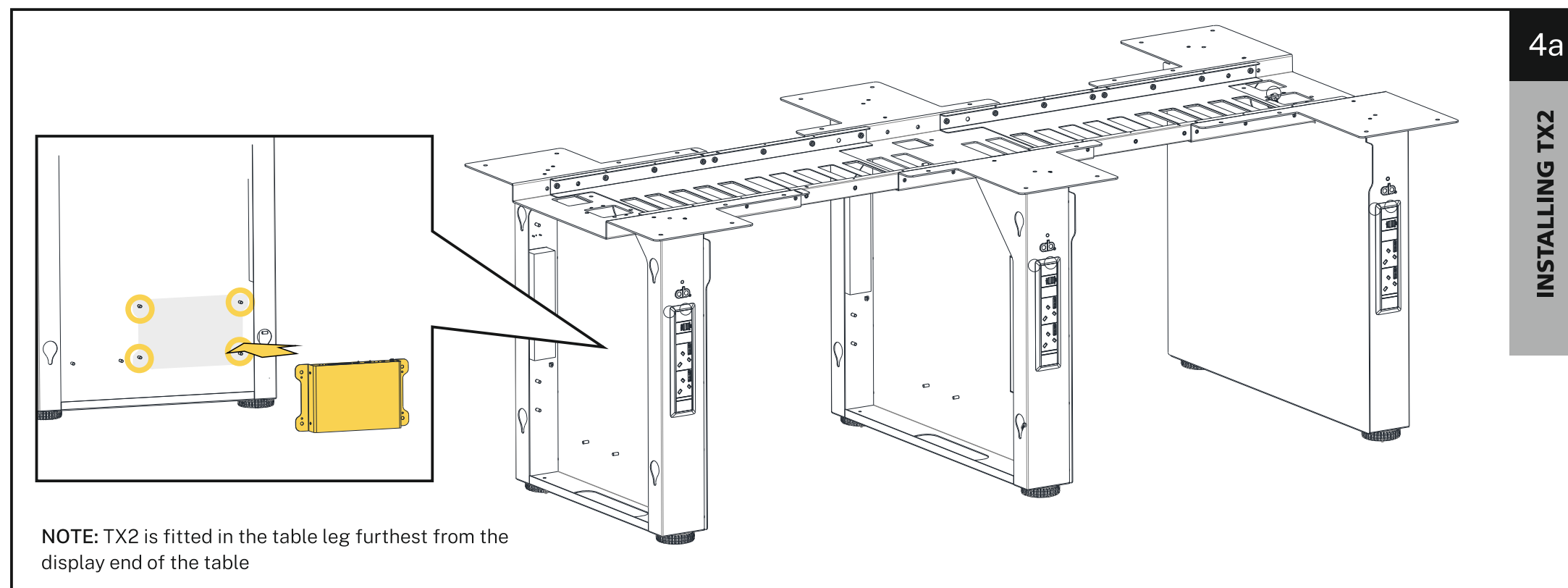
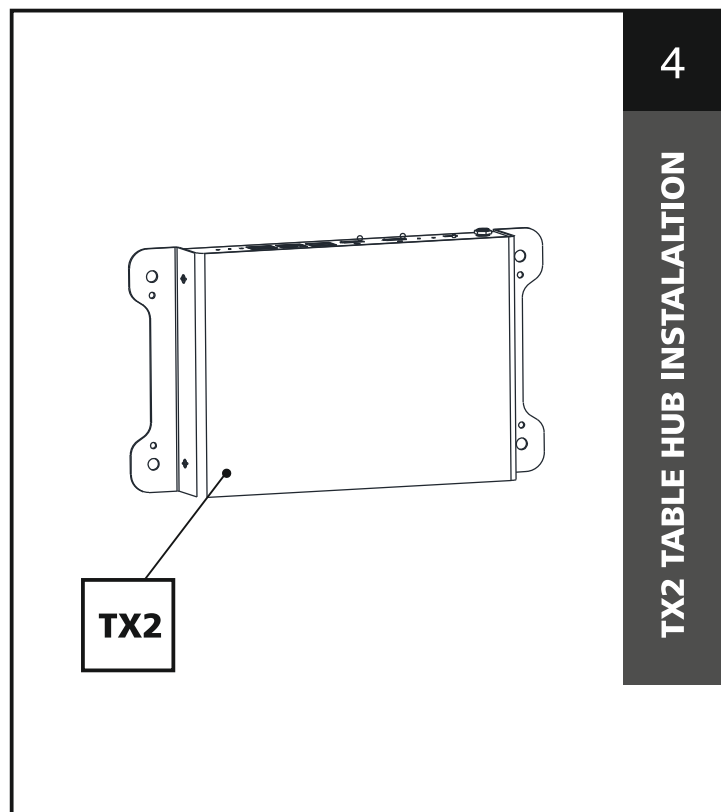
ST10 - Shaped 10 Seat Table.

Assembly Guide



ST10 - Shaped 10 Seat Table.

Assembly Guide



ST10 - Shaped 10 Seat Table.

Assembly Guide

VIEWED FROM UNDERNEATH

5b

SECURING TABLE SURFACE

x8

Diagram 5b shows a top-down view of the table's base. Eight screws are being inserted into the table surface (labeled 'F'). The screws are highlighted with yellow circles. A vertical label on the right side of the diagram reads '5b' and 'SECURING TABLE SURFACE'. Below the diagram, there is a circular icon containing a screw with 'x8' next to it, and two other circular icons: a green checkmark and a yellow warning triangle.

NOTE: Biscuit inserts needs to be fitted prior to surfaces being mated

5c

ADJUSTING SEAM

HEAVY

x2

Diagram 5c shows a person sitting at the table, adjusting the seam of the table surface (labeled 'F'). A yellow biscuit insert (labeled 'G') is being fitted into the seam. A silhouette of a person is shown standing next to the table. A vertical label on the right side of the diagram reads '5c' and 'ADJUSTING SEAM'. Below the diagram, there are two circular icons: a yellow warning triangle with an exclamation mark and the word 'HEAVY', and a silhouette of a person with 'x2' next to it.

VIEWED FROM UNDERNEATH

5d

SECURING TABLE SURFACE

x4

10MM

Diagram 5d shows a top-down view of the table's base. Four screws are being inserted into the table surface (labeled 'F') to secure it to the table beam (labeled 'G'). The screws are highlighted with yellow circles. A vertical label on the right side of the diagram reads '5d' and 'SECURING TABLE SURFACE'. Below the diagram, there is a circular icon containing a 10mm wrench with '10MM' next to it, and two other circular icons: a green checkmark and a yellow warning triangle.

VIEWED FROM UNDERNEATH

5e

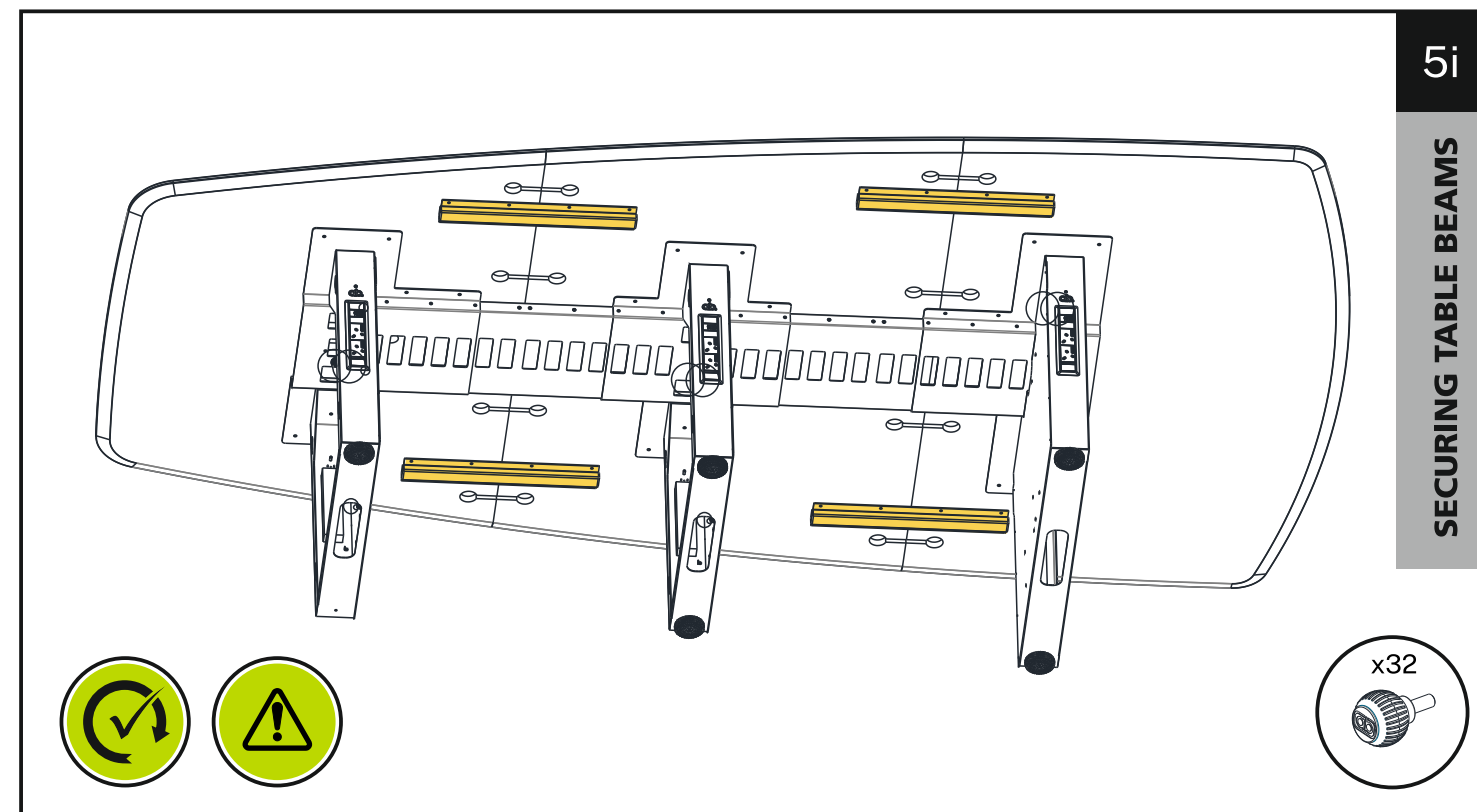
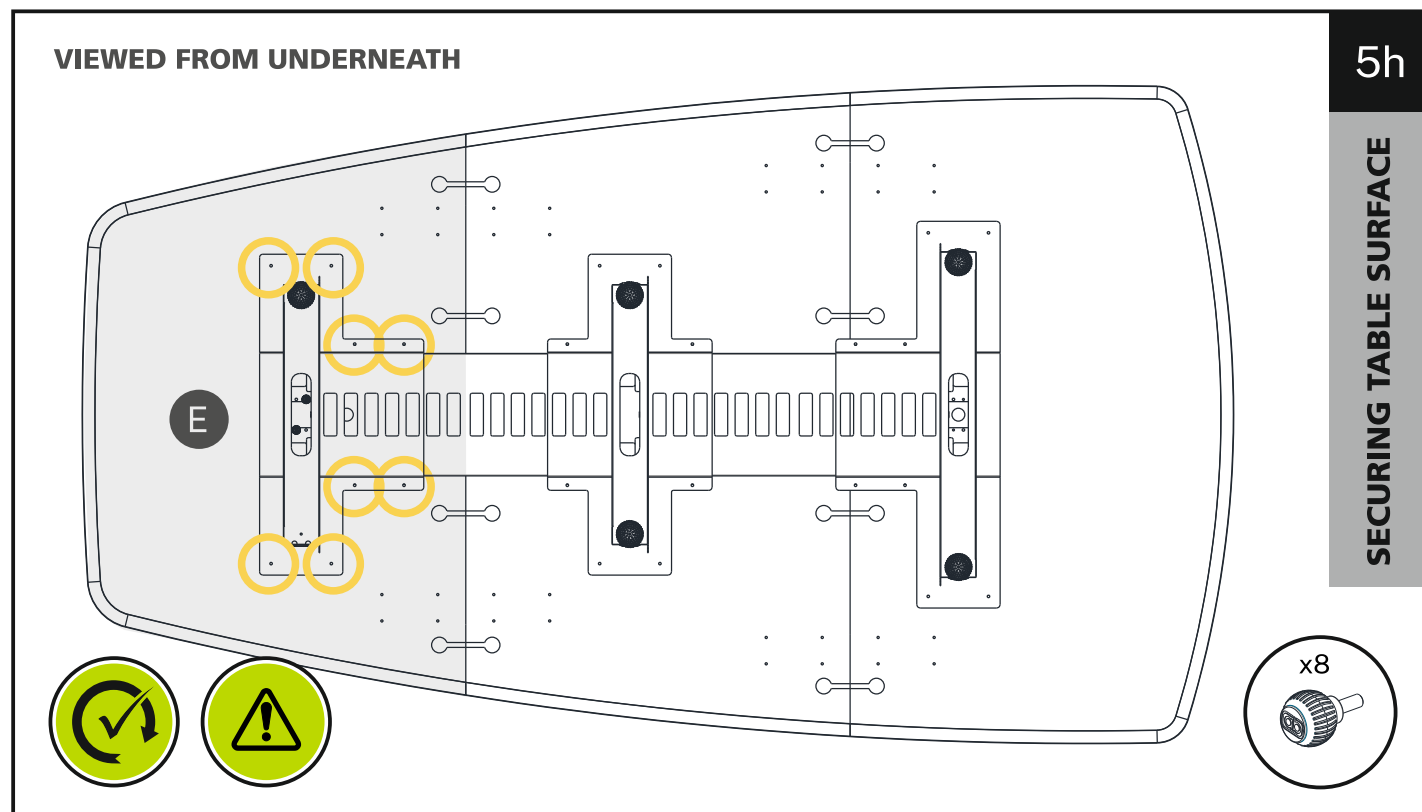
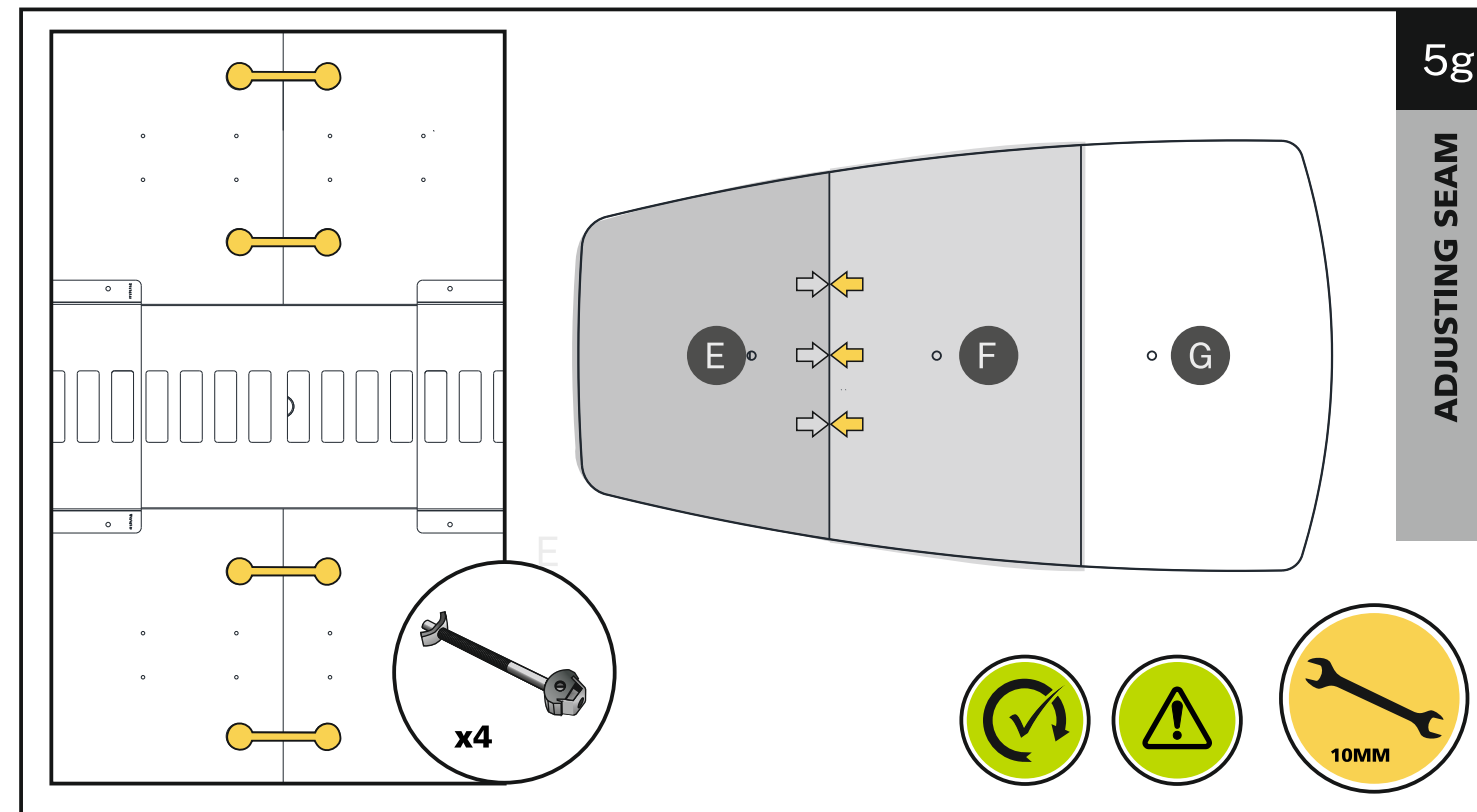
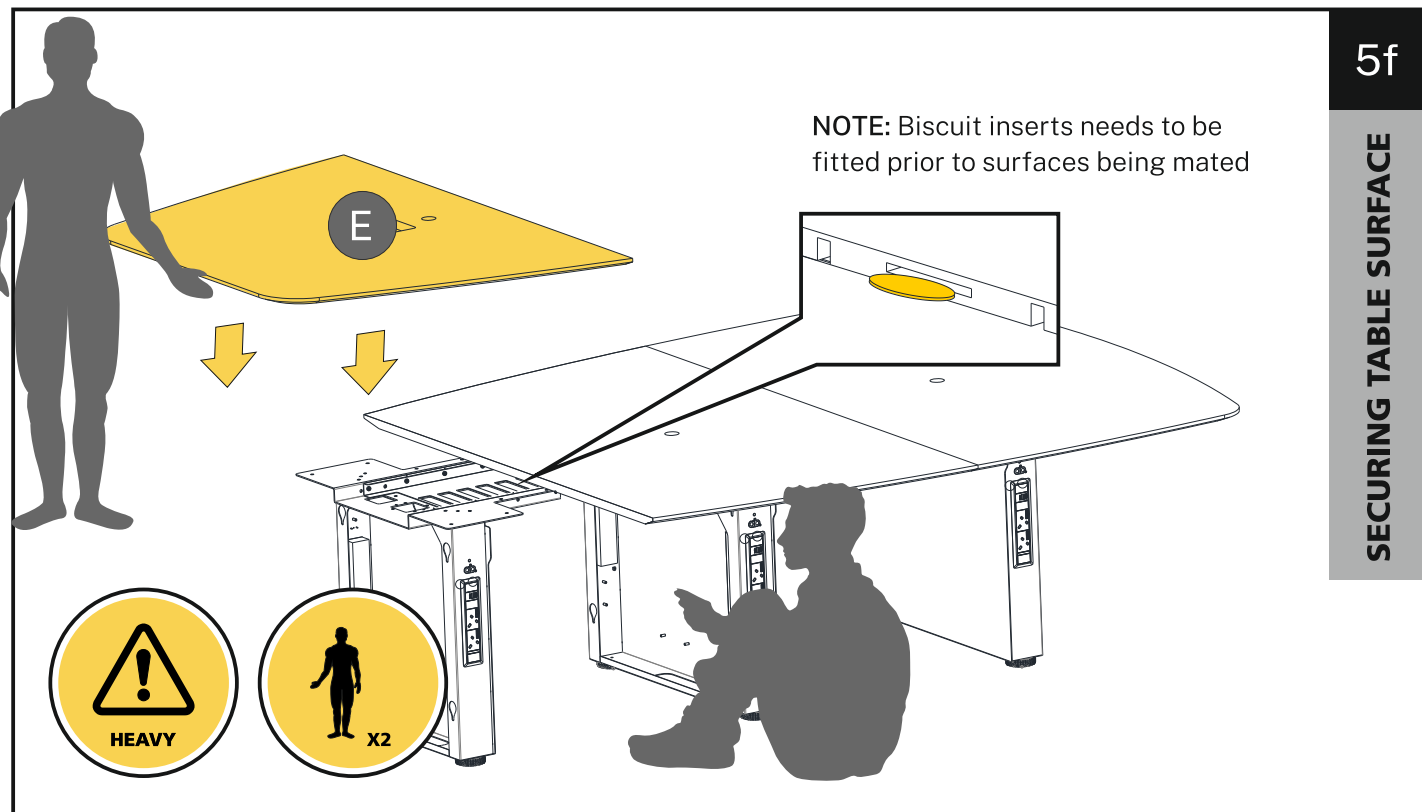
SECURING TABLE BEAMS

x8

Diagram 5e shows a top-down view of the table's base. Eight screws are being inserted into the table beam (labeled 'G') to secure it to the table surface (labeled 'F'). The screws are highlighted with yellow circles. A vertical label on the right side of the diagram reads '5e' and 'SECURING TABLE BEAMS'. Below the diagram, there is a circular icon containing a screw with 'x8' next to it, and two other circular icons: a green checkmark and a yellow warning triangle.

ST10 - Shaped 10 Seat Table.

Assembly Guide



ST10 - Shaped 10 Seat Table.

Assembly Guide

