

1

2

3

4

5

6

7

8

CHANGE No

REV

DESCRIPTION

DRAWN

DATE

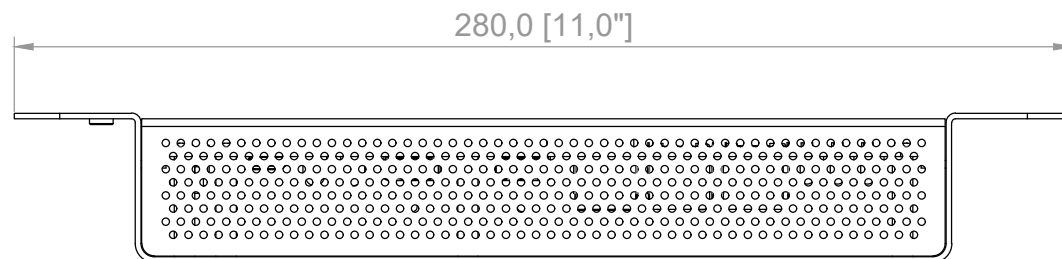
01

ORIGINAL

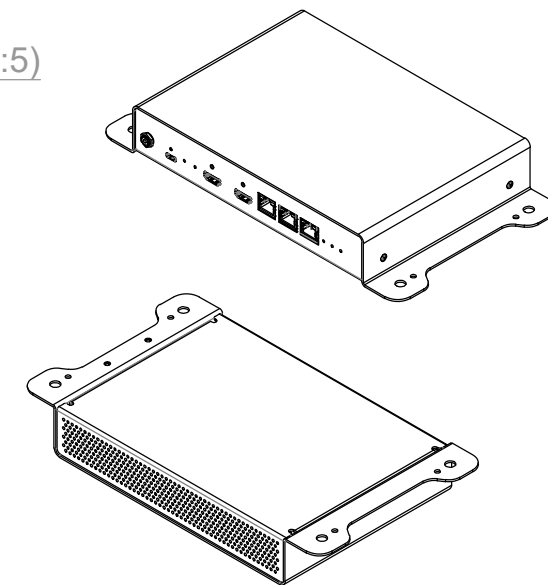
AM

12-01-2024

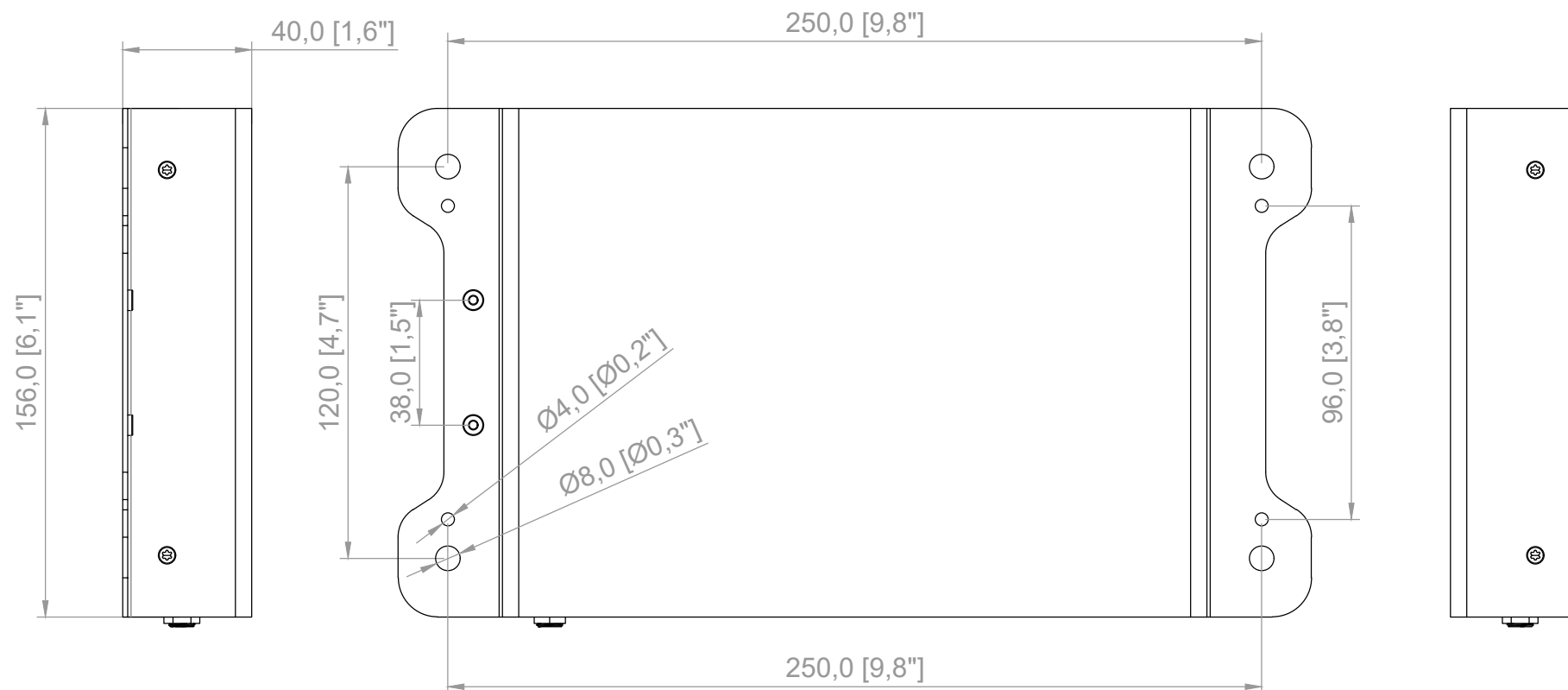
A



ISOMETRIC VIEW (1:5)

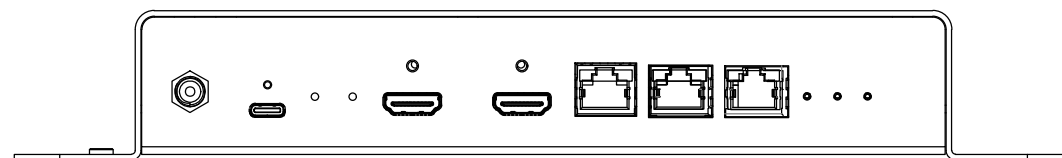


B



C

D



E

THIS DOCUMENT CONTAINS CONFIDENTIAL INFORMATION. ALL ASPECTS OF ITS CONTENTS ARE PROTECTED BY COPYRIGHT LAW AND MAY NOT BE REPRODUCED IN ANY MANNER, OR FOR ANY PURPOSE, EXCEPT BY WRITTEN PERMISSION OF ASHTON BENTLEY COLLABORATION SPACES LTD, THE COPYRIGHT HOLDER.

THE ITEMS DETAILED IN THIS DRAWING ARE PART OF AN ASHTON BENTLEY PRODUCT WHICH IS PROTECTED UNDER UK PATENT NO. GB2502100

DRAWN BY: A MESTRE  
DATE: 12-01-2024

APPROVED BY: R VINTON  
DATE: 12-01-2024

THIRD ANGLE PROJECTION:



ASHTON BENTLEY COLLABORATION SPACES LTD.  
23 SCHOONER PARK, SCHOONER COURT, CROSSWAYS BUSINESS PARK,  
DARTFORD, KENT, DA2 6NW UNITED KINGDOM

TITLE:  
Product Drawing for 900-00550 - TX2 Room Hub

DRAWING NUMBER:  
740-00339

DRAWING SIZE: A3  
DIMENSIONS IN: MM [INCHES]  
SCALE: 1:2  
SHEET: 1 OF 1  
REV: 01