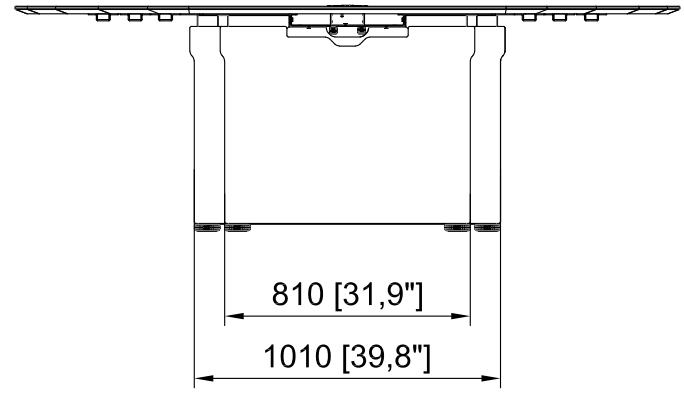
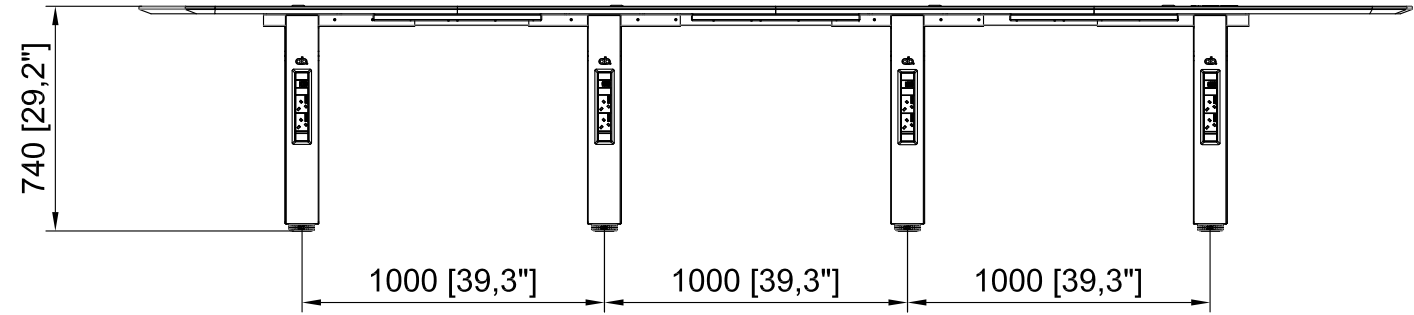
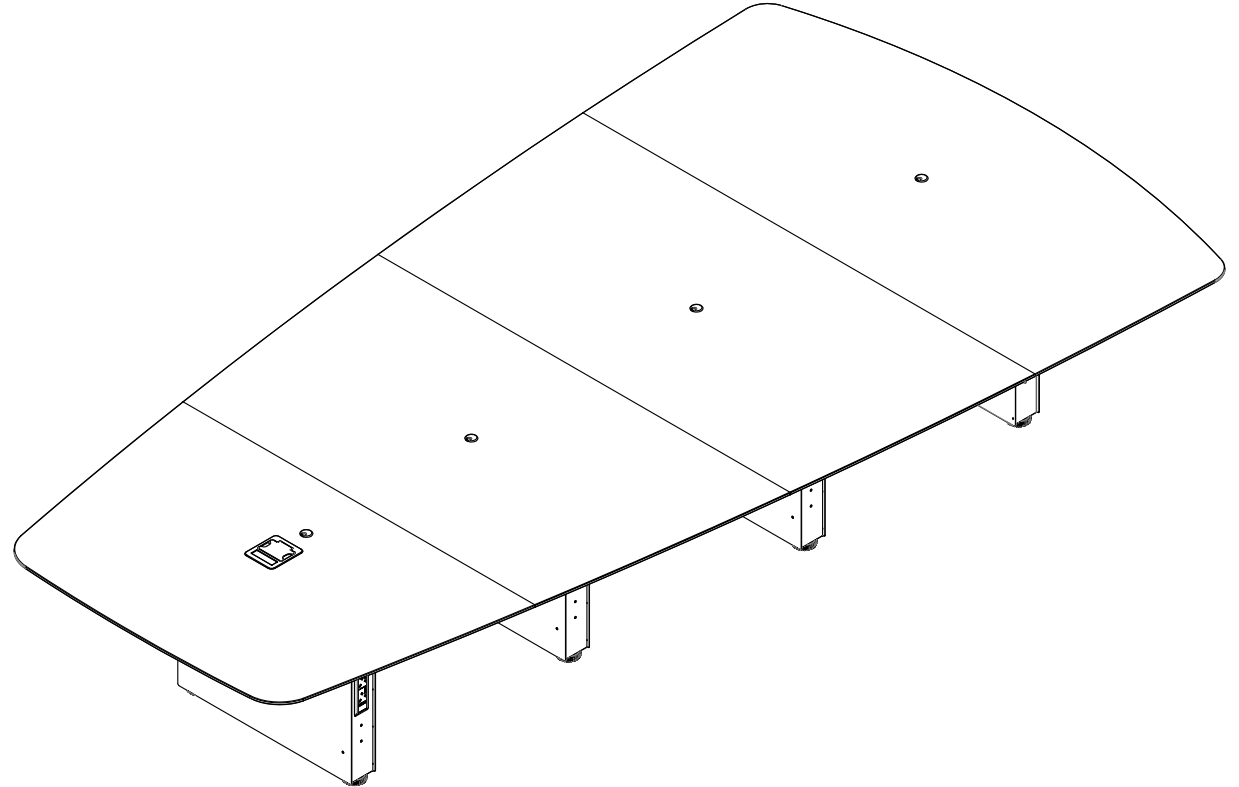
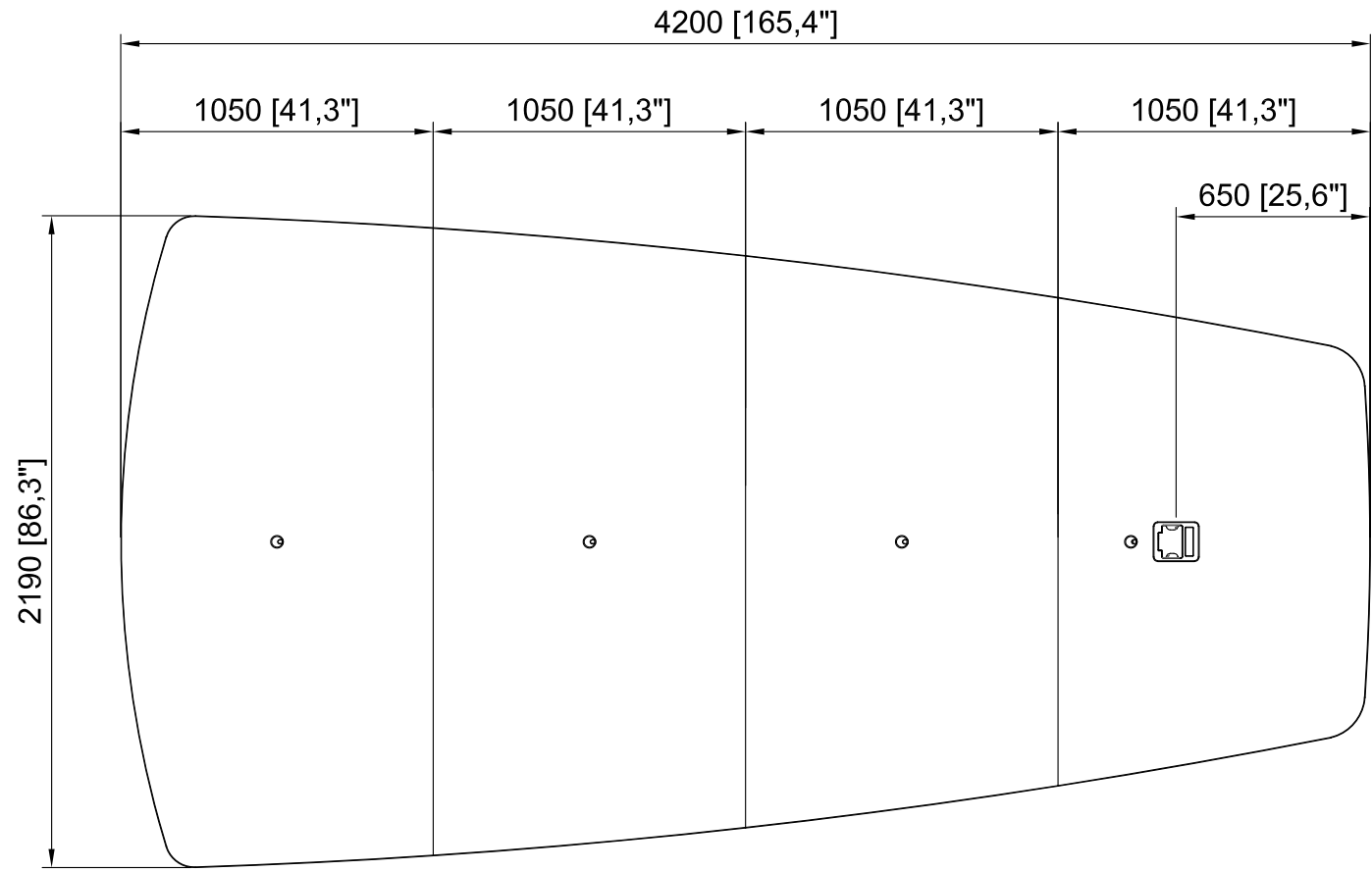

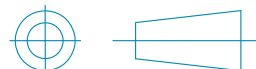


CHANGE No	REV	DESCRIPTION	DRAWN	DATE
	01	ORIGINAL	AM	14-06-2023



THIS DOCUMENT CONTAINS CONFIDENTIAL INFORMATION. ALL ASPECTS OF ITS CONTENTS ARE PROTECTED BY COPYRIGHT LAW AND MAY NOT BE REPRODUCED IN ANY MANNER, OR FOR ANY PURPOSE, EXCEPT BY WRITTEN PERMISSION OF ASHTON BENTLEY COLLABORATION SPACES LTD, THE COPYRIGHT HOLDER.

THE ITEMS DETAILED IN THIS DRAWING ARE PART OF AN ASHTON BENTLEY PRODUCT WHICH IS PROTECTED UNDER UK PATENT NO. GB2502100

DRAWN BY: A MESTRE	DATE: 14-06-2023	 ASHTON BENTLEY COLLABORATION SPACES LTD. 23 SCHOONER PARK, SCHOONER COURT, CROSSWAYS BUSINESS PARK, DARTFORD, KENT, DA2 6NW UNITED KINGDOM
APPROVED BY: J ROWE	DATE: 14-06-2023	
TITLE: ST11 Shaped 11 Seat Table		DRAWING NUMBER: 740-00308
THIRD ANGLE PROJECTION:		DRAWING SIZE: A3 DIMENSIONS IN: MM [INCHES] SCALE: 1:25
		SHEET: 1 OF 1 REV: 01