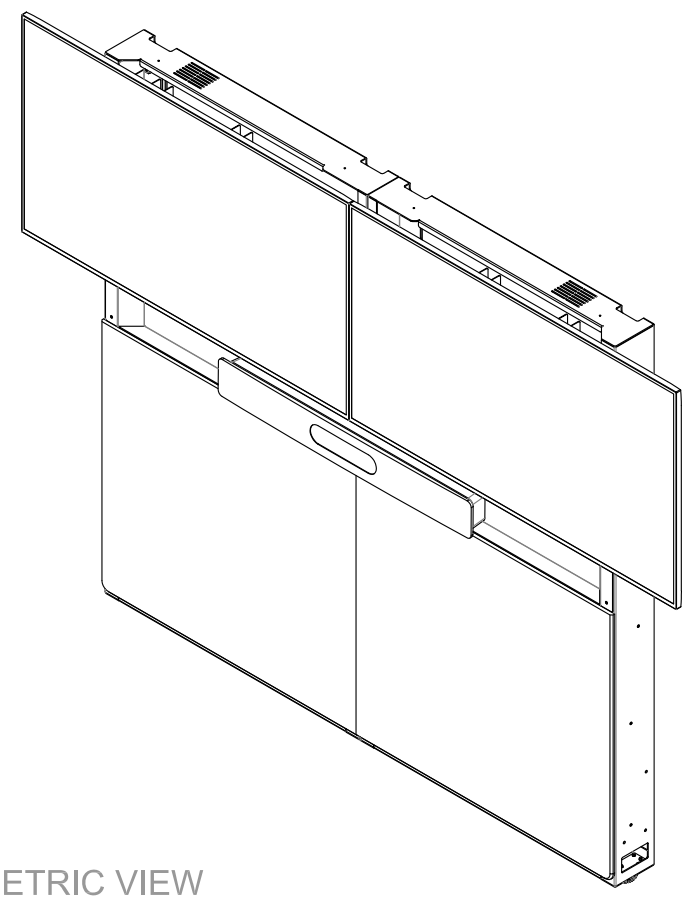
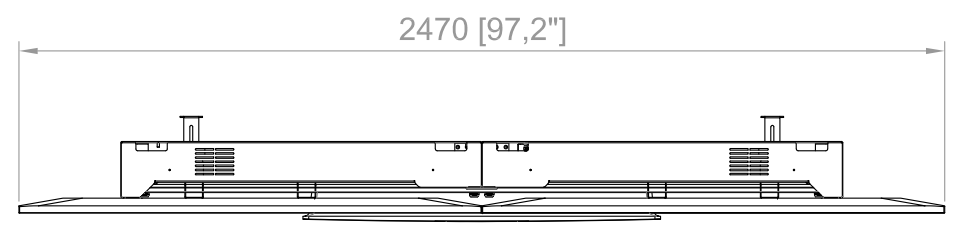
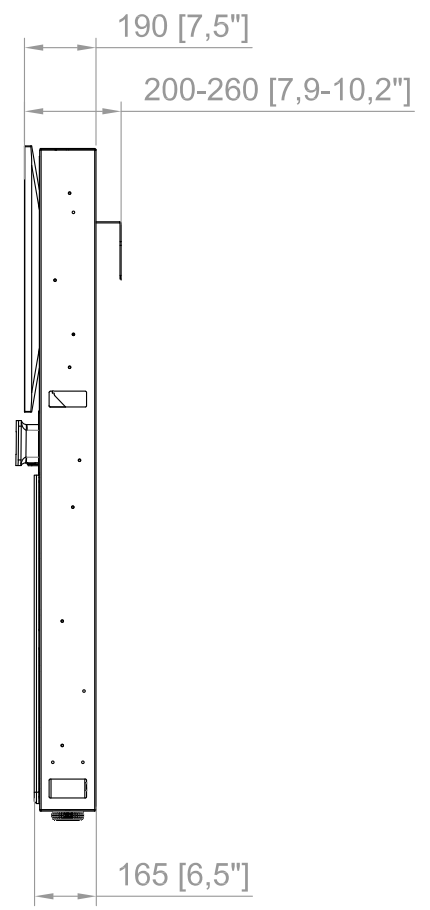
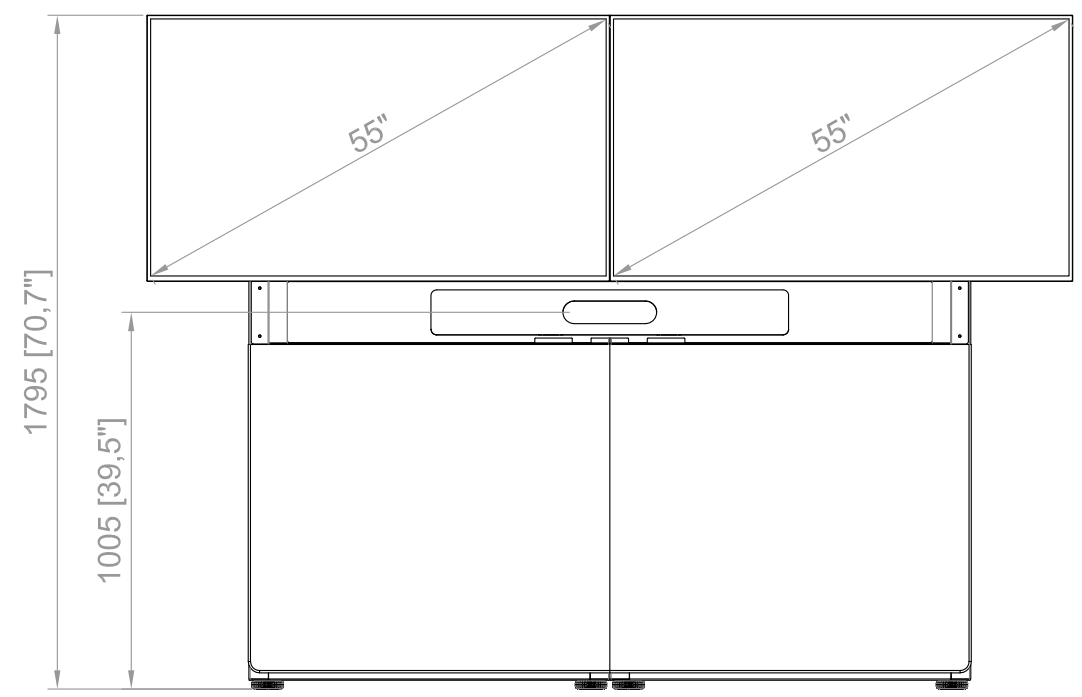


1 2 3 4 5 6 7 8

CHANGE No	REV	DESCRIPTION	DRAWN	DATE
	01	ORIGINAL	JR	15-05-2023



ISOMETRIC VIEW



Model shown:  
2 x LG 55 display with Cisco Webex Quad Camera above

DO NOT SCALE DRAWING. SCALE NOTE(S) ARE SCALE REFERENCES RELATIVE TO MAIN VIEW ONLY AND MAY NOT REFLECT ACTUAL PART SIZE ON DRAWING. REMOVE SHARP EDGES UNLESS SPECIFIED.

THIS DOCUMENT CONTAINS CONFIDENTIAL INFORMATION. ALL ASPECTS OF ITS CONTENTS ARE PROTECTED BY COPYRIGHT LAW AND MAY NOT BE REPRODUCED IN ANY MANNER, OR FOR ANY PURPOSE, EXCEPT BY WRITTEN PERMISSION OF ASHTON BENTLEY TRADING LIMITED, THE COPYRIGHT HOLDER. THE ITEMS DETAILED IN THIS DRAWING ARE PROTECTED UNDER SEVERAL PATENTS.



**ASHTON BENTLEY TRADING LIMITED**  
23 SCHOONER PARK, SCHOONER COURT,  
CROSSWAYS BUSINESS PARK, DARTFORD, KENT, DA2 6NW  
UNITED KINGDOM

DRAWN BY: <b>A MESTRE</b>	DATE: 15-05-2023	TITLE: <b>Two55 on Large Universal Chassis - Overall Dimensions</b>
APPROVED BY: <b>R VINTON</b>	DATE: 15-05-2023	DRAWING NUMBER: <b>740-00244</b>

THIRD ANGLE PROJECTION:		DRAWING SIZE: <b>A3</b>	DIMENSIONS IN: MM [INCHES]	SCALE: <b>1:20</b>	SHEET: <b>01 OF 1</b>	REV: <b>01</b>
-------------------------	--	-------------------------	-------------------------------	-----------------------	--------------------------	-------------------