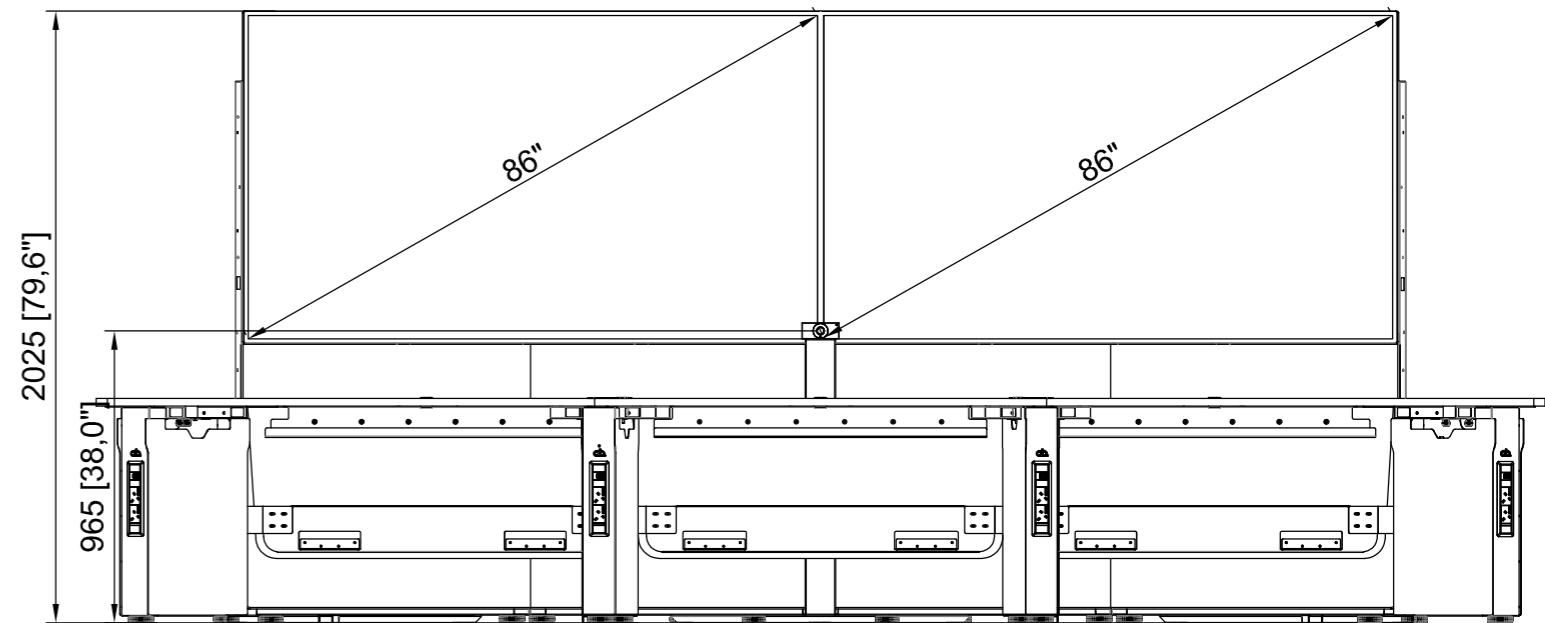
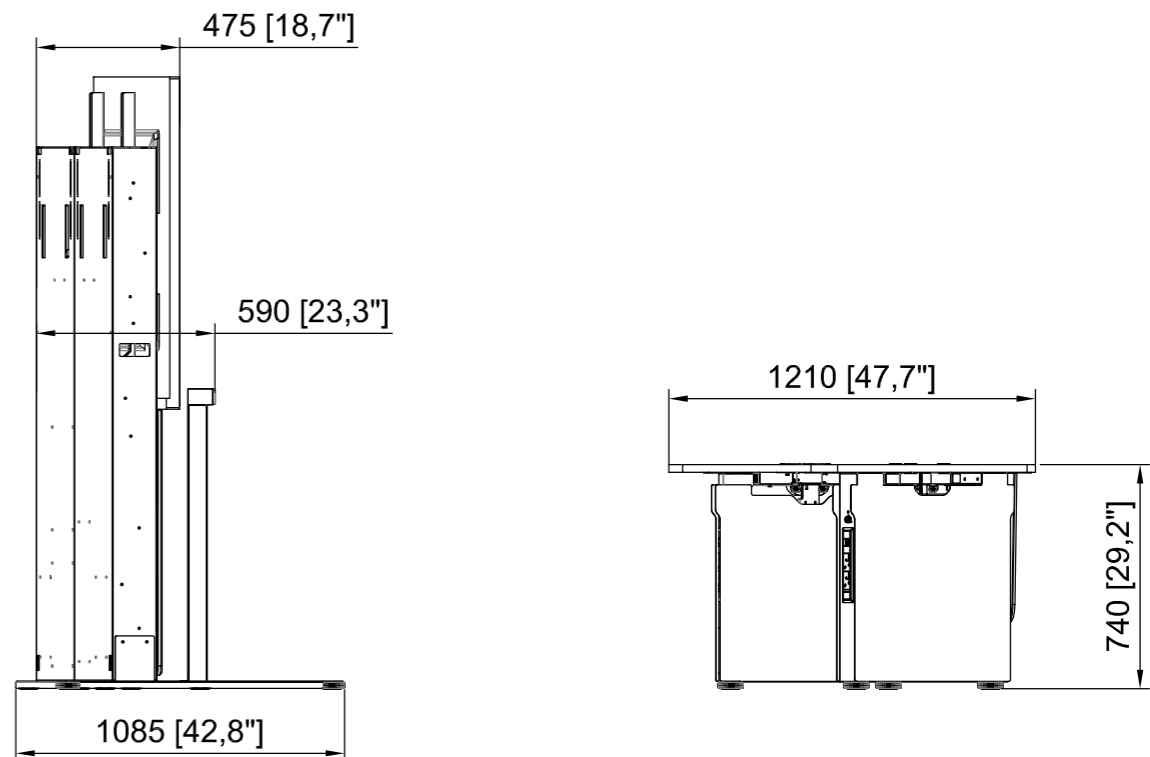


5	6	7	8
CHANGE No	REV	DESCRIPTION	DRAWN
	01	ORIGINAL	AM
			DATE
			08-02-2023

FRONT VIEW



SIDE VIEW



THIS DOCUMENT CONTAINS CONFIDENTIAL INFORMATION. ALL ASPECTS OF ITS CONTENTS ARE PROTECTED BY COPYRIGHT LAW AND MAY NOT BE REPRODUCED IN ANY MANNER, OR FOR ANY PURPOSE, EXCEPT BY WRITTEN PERMISSION OF ASHTON BENTLEY COLLABORATION SPACES LTD, THE COPYRIGHT HOLDER.

THE ITEMS DETAILED IN THIS DRAWING ARE PART OF AN ASHTON BENTLEY PRODUCT WHICH IS PROTECTED UNDER UK PATENT NO. GB2502100

DRAWN BY:	DATE:
A MESTRE	08-02-2023
APPROVED BY:	DATE:
R VINTON	08-02-2023



ASHTON BENTLEY COLLABORATION SPACES LTD.
23 SCHOONER PARK, SCHOONER COURT, CROSSWAYS BUSINESS PARK,
DARTFORD, KENT, DA2 6NW UNITED KINGDOM

TITLE:
Connect Angled Two86 with TP6 Telepresence 6 Seat Table - Overall Dimensions

DRAWING NUMBER:
740-00271

System: AB Connect Angled Two86
Table: TP6 Telepresence 6 Seat Table

Recommended Floor Grommet positions shown in red (for power and data access)



DRAWING SIZE: A3	DIMENSIONS IN: MM [INCHES]	SCALE: 1:25	SHEET: 1 OF 1	REV: 01
------------------	----------------------------	-------------	---------------	---------