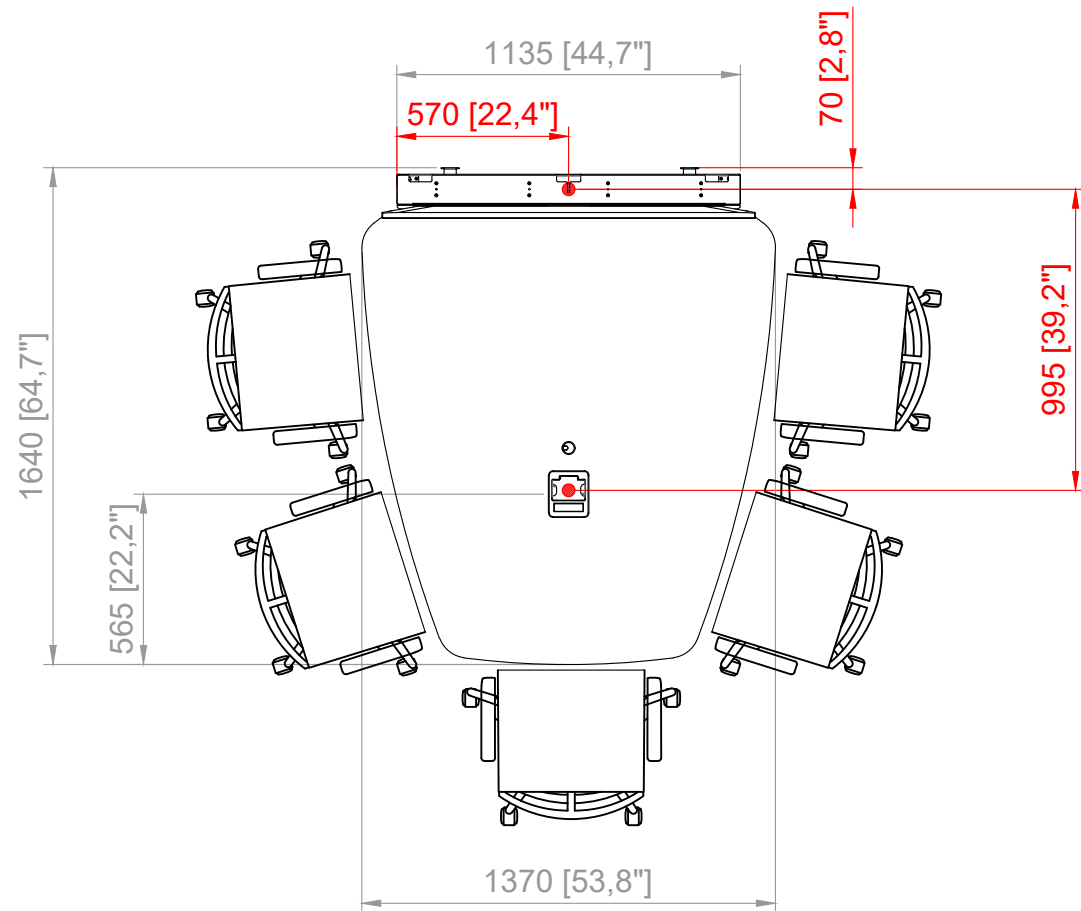
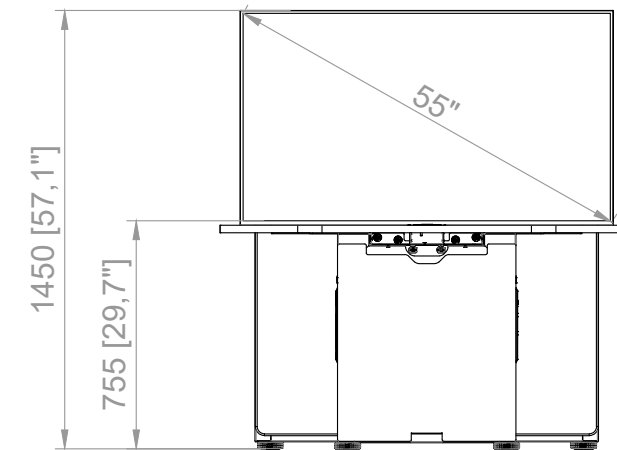


PLAN VIEW

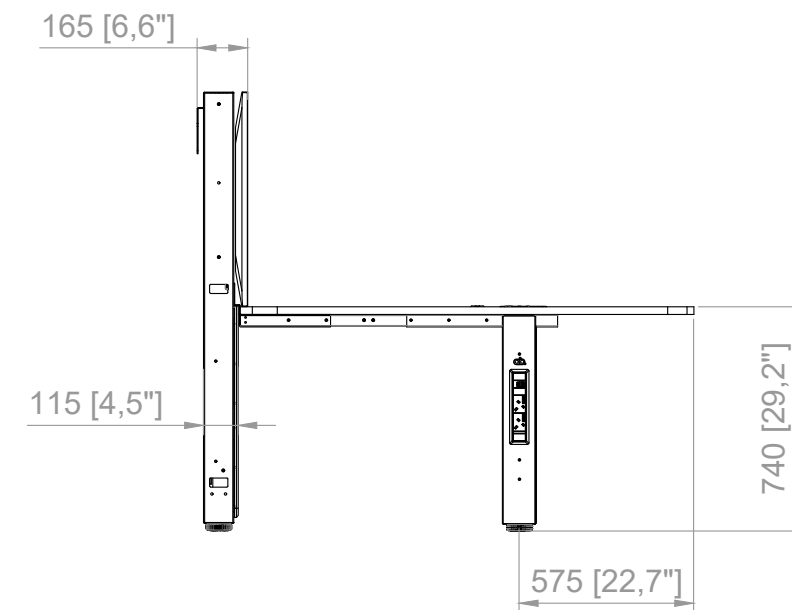


CHANGE No	REV	DESCRIPTION	DRAWN	DATE
	01	ORIGINAL	AM	08-02-2023
	02	REMOVED FREESTANDING BASE	JR	02-06-2023
	03	UPDATED TABLE SHAPE	AM	09-10-2024

FRONT VIEW



SIDE VIEW



THIS DOCUMENT CONTAINS CONFIDENTIAL INFORMATION. ALL ASPECTS OF ITS CONTENTS ARE PROTECTED BY COPYRIGHT LAW AND MAY NOT BE REPRODUCED IN ANY MANNER, OR FOR ANY PURPOSE, EXCEPT BY WRITTEN PERMISSION OF ASHTON BENTLEY TRADING LIMITED, THE COPYRIGHT HOLDER.
THE ITEMS DETAILED IN THIS DRAWING ARE PROTECTED UNDER SEVERAL PATENTS.

ab ASHTON BENTLEY TRADING LIMITED
23 SCHOONER PARK, SCHOONER COURT, CROSSWAYS BUSINESS PARK,
DARTFORD, KENT, DA2 6NW UNITED KINGDOM

TITLE:
Huddle55.ST5 - Overall Dimensions

DRAWN BY: A MESTRE
DATE: 09-10-2024

DRAWING NUMBER:
740-00264

APPROVED BY: R VINTON
DATE: 09-10-2024

THIRD ANGLE PROJECTION:

DRAWING SIZE: A3
DIMENSIONS IN: MM [INCHES]
SCALE: 1:25
SHEET: 1 OF 1
REV: 03

System: Huddle - 55" Display Chassis with attached Shaped 5 Seat Table

Recommended Floor Grommet positions shown in red (for power and data access)