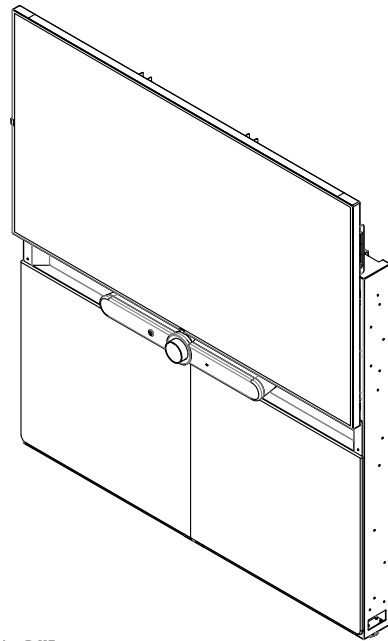


1	2	3	4	5	6	7	8
---	---	---	---	---	---	---	---

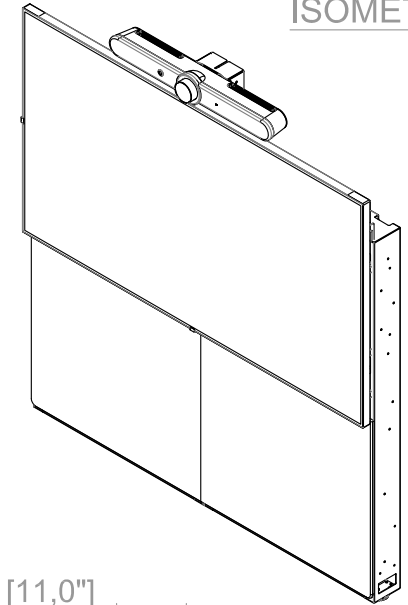
CHANGE No	REV	DESCRIPTION	DRAWN	DATE
	01	ORIGINAL	JR	26-01-2023

A

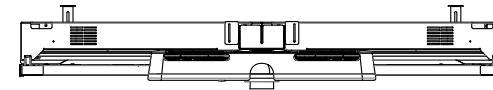
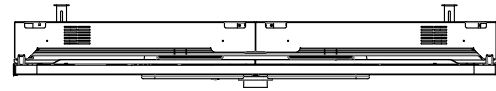
ISOMETRIC VIEW



ISOMETRIC VIEW



B



C

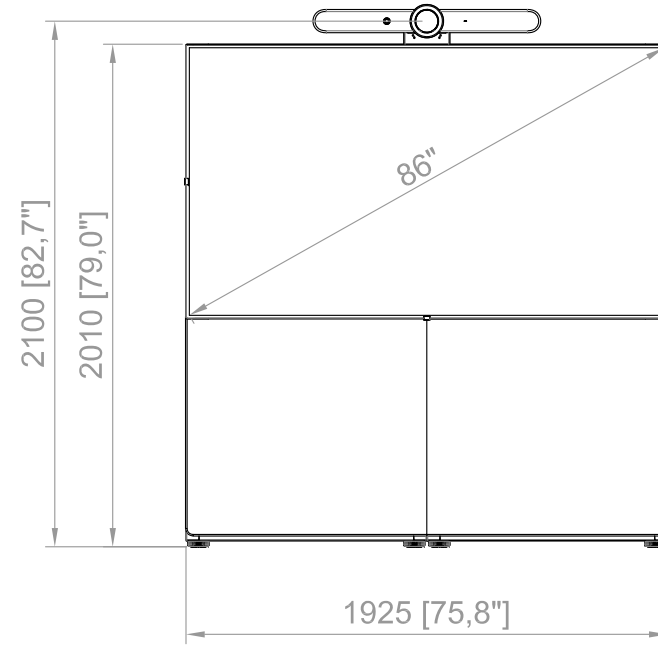
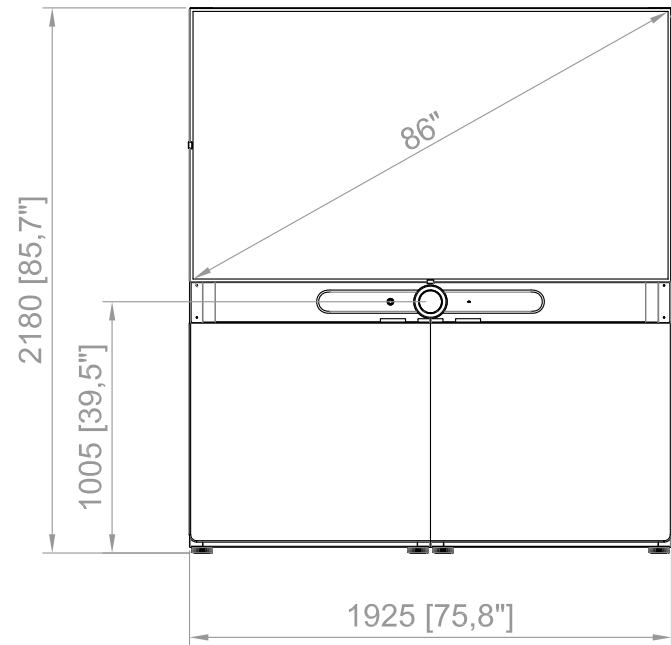
220-280 [8,5"]- [11,0"]

210 [8,3"]

220-280 [8,5"]- [11,0"]

210 [8,3"]

D



165 [6,5"]

E

Model shown:
LG 86 display with Logitech Rally Bar camera below

DO NOT SCALE DRAWING. SCALE NOTE(S) Model shown MAY NOT REFLECT ACTUAL PART SIZE ON DRAWING. REMOVE SHARP EDGES UNLESS SPECIFIED.

THIS DOCUMENT CONTAINS CONFIDENTIAL INFORMATION. ALL ASPECTS OF ITS CONTENTS ARE PROTECTED BY COPYRIGHT LAW AND MAY NOT BE REPRODUCED IN ANY MANNER, OR FOR ANY PURPOSE, EXCEPT BY WRITTEN PERMISSION OF ASHTON BENTLEY TRADING LIMITED, THE COPYRIGHT HOLDER. THE ITEMS DETAILED IN THIS DRAWING ARE PROTECTED UNDER SEVERAL PATENTS.



ASHTON BENTLEY TRADING LIMITED
23 SCHOONER PARK, SCHOONER COURT,
CROSSWAYS BUSINESS PARK, DARTFORD, KENT, DA2 6NW
UNITED KINGDOM

DRAWN BY:	DATE:
A MESTRE	26-01-2023

TITLE:
One86 on Large Universal Chassis - Overall Dimensions

APPROVED BY:	DATE:
R VINTON	26-01-2023

DRAWING NUMBER:
740-00241

THIRD ANGLE PROJECTION:	DRAWING SIZE: A3	DIMENSIONS IN: MM [INCHES]	SCALE: 1:20	SHEET: 01 OF 1	REV: 01
-------------------------	------------------	----------------------------	-------------	----------------	---------