

1

2

3

4

5

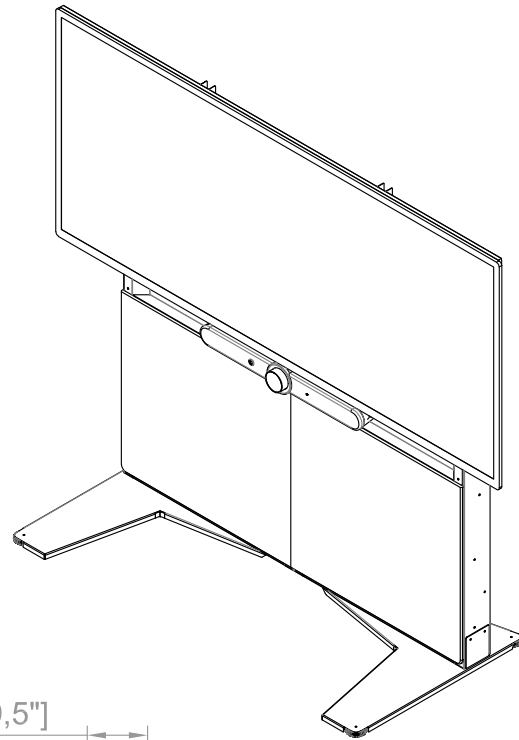
6

7

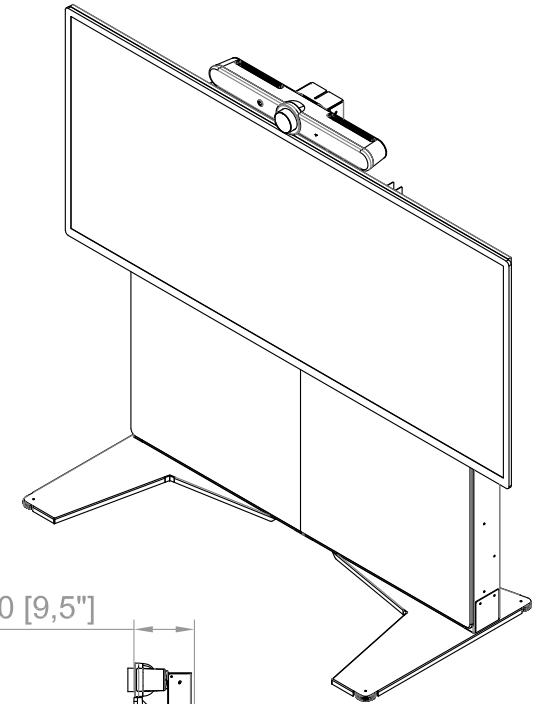
8

CHANGE No	REV	DESCRIPTION	DRAWN	DATE
	01	ORIGINAL	JR	26-01-2023

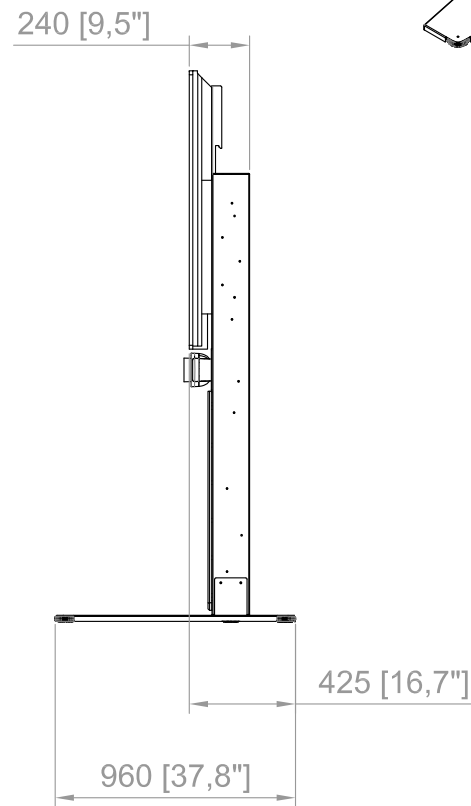
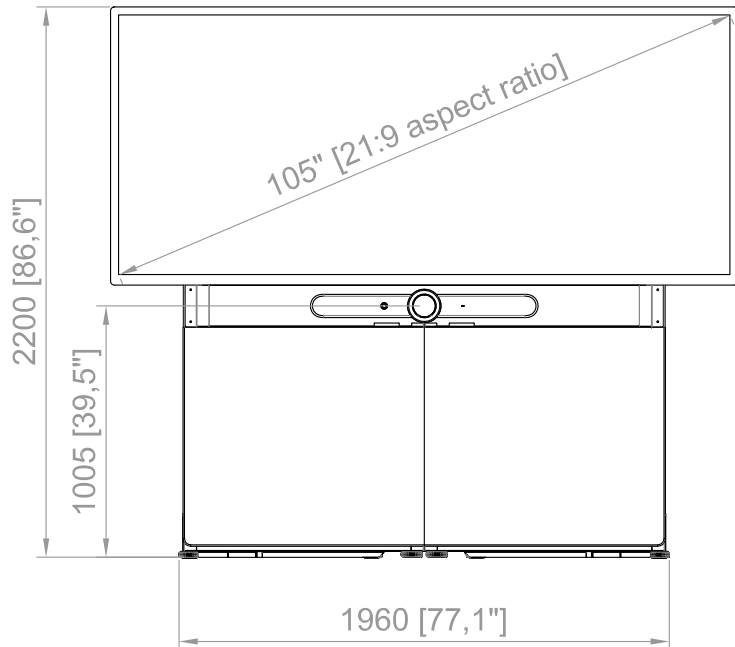
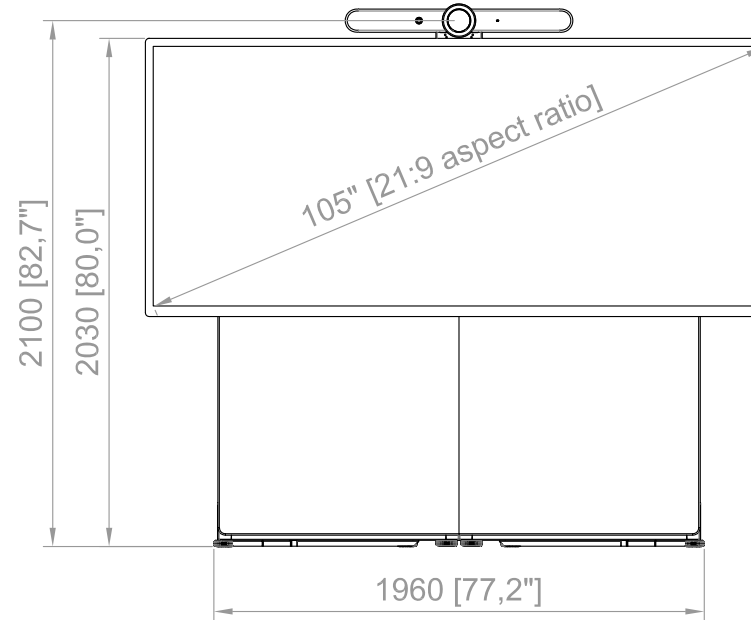
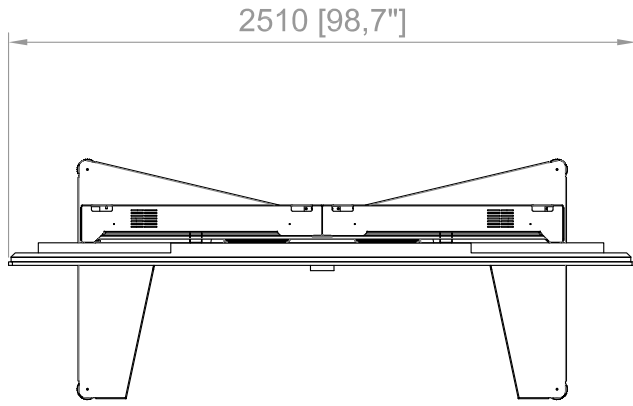
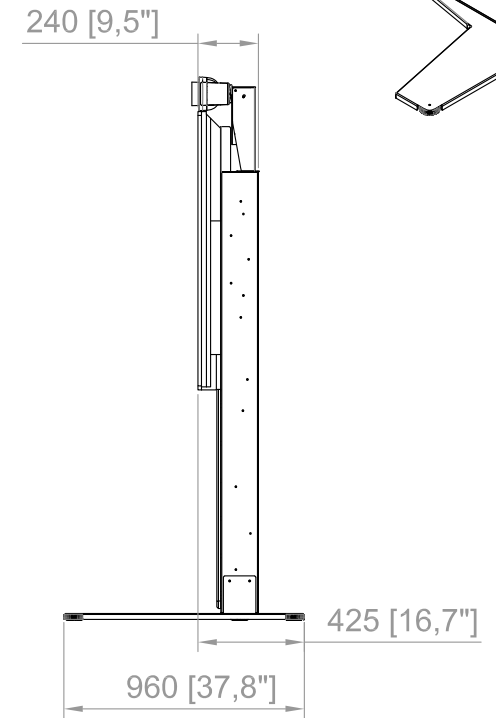
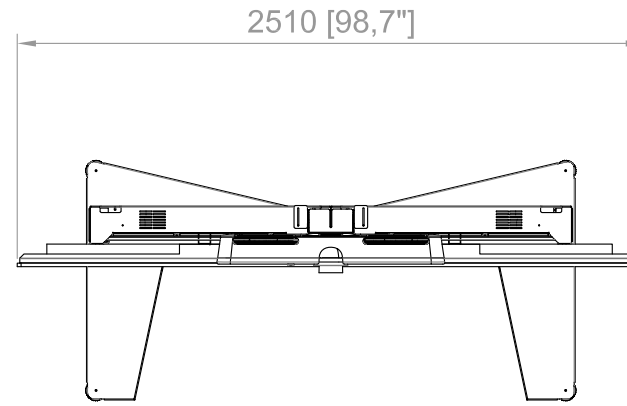
ISOMETRIC VIEW



ISOMETRIC VIEW



Model shown:
AB 105 display with Logitech Rally Bar
camera above



Model shown:
AB 105 display with Logitech Rally Bar
camera below

DO NOT SCALE DRAWING. SCALE NOTE(S) ARE SCALE REFERENCES RELATIVE TO MAIN VIEW ONLY AND MAY NOT REFLECT ACTUAL PART SIZE ON DRAWING. REMOVE SHARP EDGES UNLESS SPECIFIED.

THIS DOCUMENT CONTAINS CONFIDENTIAL INFORMATION. ALL ASPECTS OF ITS CONTENTS ARE PROTECTED BY COPYRIGHT LAW AND MAY NOT BE REPRODUCED IN ANY MANNER, OR FOR ANY PURPOSE, EXCEPT BY WRITTEN PERMISSION OF ASHTON BENTLEY TRADING LIMITED, THE COPYRIGHT HOLDER. THE ITEMS DETAILED IN THIS DRAWING ARE PROTECTED UNDER SEVERAL PATENTS.



ASHTON BENTLEY TRADING LIMITED
23 SCHOONER PARK, SCHOONER COURT,
CROSSWAYS BUSINESS PARK, DARTFORD, KENT, DA2 6NW
UNITED KINGDOM

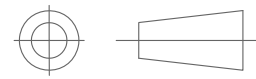
DRAWN BY:
A MESTRE

DATE:
TITLE:

APPROVED BY:
R VINTON

DATE:
DRAWING NUMBER:

THIRD ANGLE PROJECTION:



DRAWING SIZE: A3

DIMENSIONS IN:
MM [INCHES]

SCALE:
1:20

SHEET:
01 OF 1
REV:
01