

1

2

3

4

5

6

7

8

| CHANGE No | REV | DESCRIPTION | DRAWN | DATE |
|-----------|-----|-------------|-------|------------|
| | 01 | ORIGINAL | AM | 26-01-2023 |

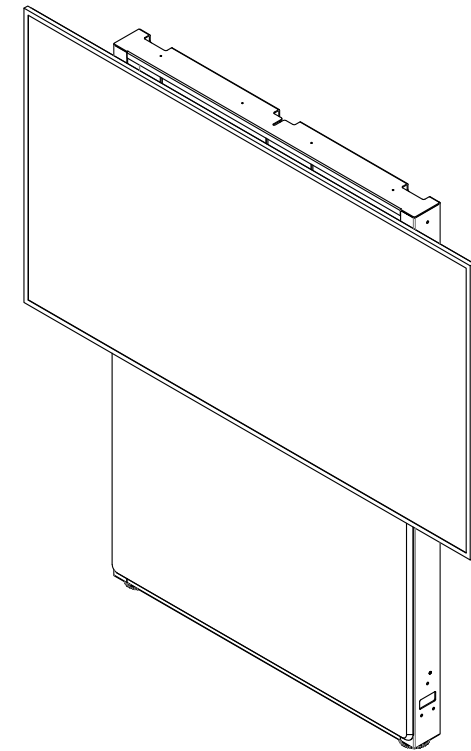
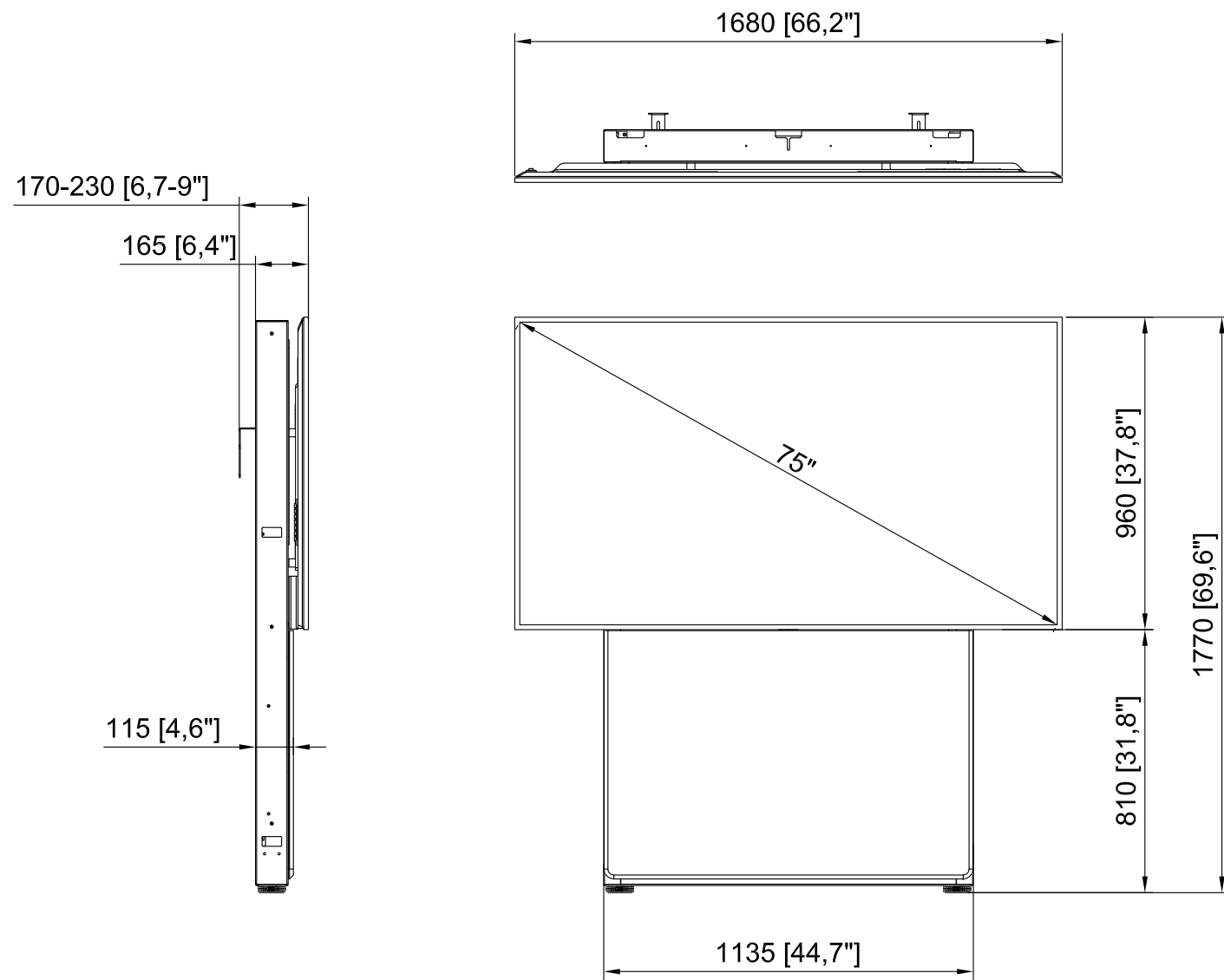
A

B

C

D

E



ISOMETRIC VIEW
 Model shown with LG 75UH5J-H

DO NOT SCALE DRAWING. SCALE NOTE(S) ARE SCALE REFERENCES RELATIVE TO MAIN VIEW ONLY AND MAY NOT REFLECT ACTUAL PART SIZE ON DRAWING. REMOVE SHARP EDGES UNLESS SPECIFIED.

THIS DOCUMENT CONTAINS CONFIDENTIAL INFORMATION. ALL ASPECTS OF ITS CONTENTS ARE PROTECTED BY COPYRIGHT LAW AND MAY NOT BE REPRODUCED IN ANY MANNER, OR FOR ANY PURPOSE, EXCEPT BY WRITTEN PERMISSION OF ASHTON BENTLEY TRADING LIMITED, THE COPYRIGHT HOLDER.
 THE ITEMS DETAILED IN THIS DRAWING ARE PROTECTED UNDER SEVERAL PATENTS.



ASHTON BENTLEY TRADING LIMITED
 23 SCHOONER PARK, SCHOONER COURT,
 CROSSWAYS BUSINESS PARK, DARTFORD, KENT, DA2 6NW
 UNITED KINGDOM

DRAWN BY:
A MESTRE

DATE:
 26-01-2023

TITLE:
One75 - Overall Dimensions

APPROVED BY:
R VINTON

DATE:
 26-01-2023

DRAWING NUMBER:
740-00234

THIRD ANGLE PROJECTION:

DRAWING SIZE: **A3**

DIMENSIONS IN:
 MM [INCHES]

SCALE:
1:20

SHEET:
01 OF 1

REV:
01