



## Introduction.

The Ashton Bentley BX is a professional alternative to proprietary USB-C docks, that can be neatly mounted under a desk or table.

Unlike other docks that have very short USB-C cables to connect to the laptop, the BX has the option of being located up to 2.5m from the laptop when using the optional Ashton Bentley 2.5m Locking USB-C Cable. Not only extending the distance between the BX and the laptop, the cable also 'locks' into the BX preventing unwanted disconnection.

The BX Breakout Hub provides separate outputs for:

- HDMI
- Network
- USB ports (x3)

The unit is powered from one of the connected USB devices.

With the optional BX Charging PSU, the BX will supply charging power for the connected USB-C laptop/device. The BX back plate has a fixing position to neatly mount this optional PSU.

Dynamic USB 3.0 5V power switching.

Some Video Bars can only switch in and out of device mode if 5v is present in the USB connection. The BX has two USB 3.0 ports that both have 5V switching



## BX USB-C Breakout hub - Connectivity Overview.

### Standard Tablebox.



### USB-C Charging.

With the optional BX Charging PSU, the BX will supply charging power for the connected USB-C laptop/device. If using either the Ashton Bentley 2.5m Locking USB-C cable or Ashton Bentley USB-C Retractor, this will provide up to 100w. If using other cables check the specification for charging power permitted.

### Touchpanel Tablebox.



### USB-C Charging.

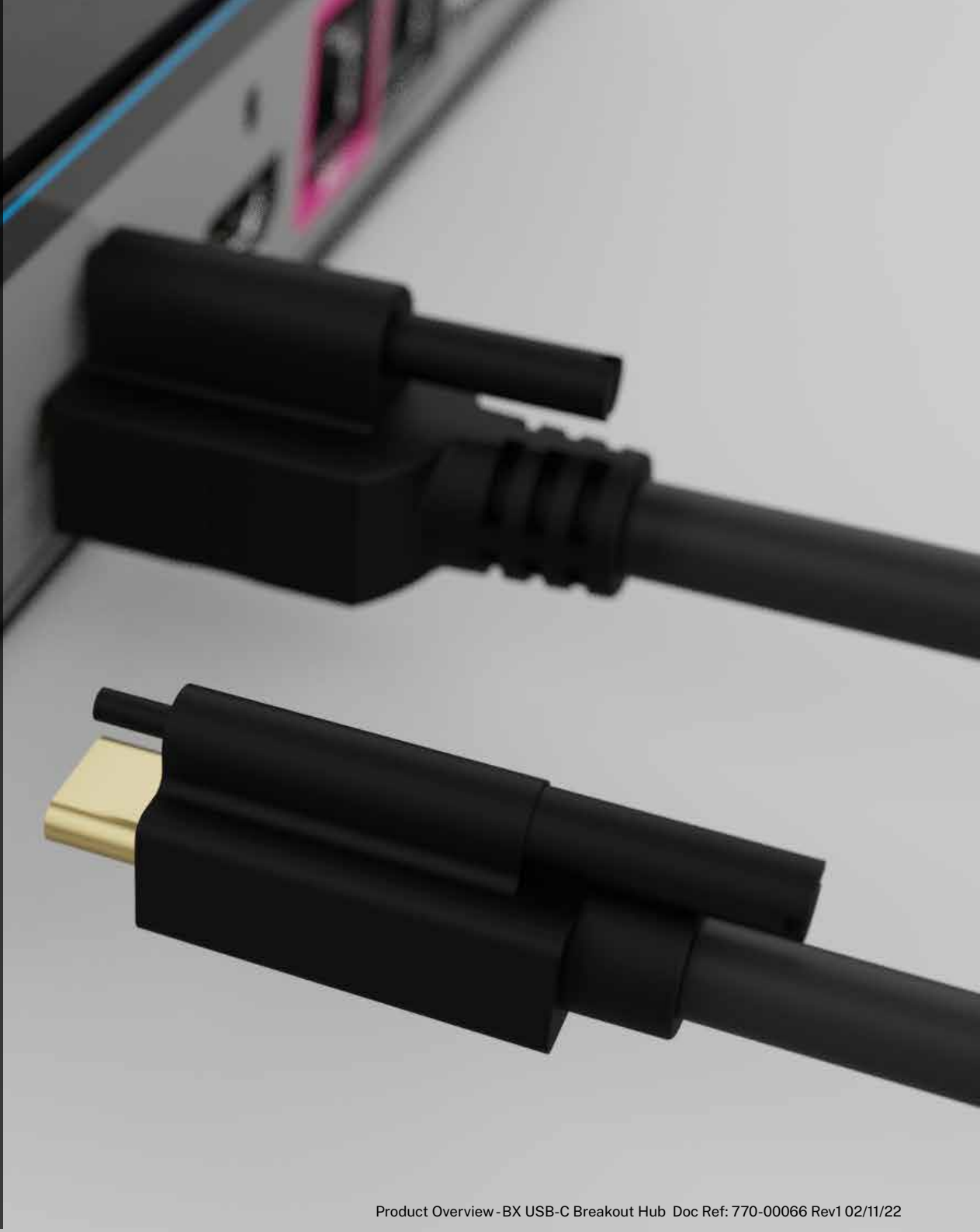
With the optional BX Charging PSU, the BX will supply charging power for the connected USB-C laptop/device. If using either the Ashton Bentley 2.5m Locking USB-C cable or Ashton Bentley USB-C Retractor, this will provide up to 100w. If using other cables check the specification for charging power permitted.



### Touchpanel Module.

With the optional BX Charging PSU, the BX will supply charging power for the connected USB-C laptop/device. If using either the Ashton Bentley 2.5m Locking USB-C cable or Ashton Bentley USB-C Retractor, this will provide up to 100w. If using other cables check the specification for charging power permitted.

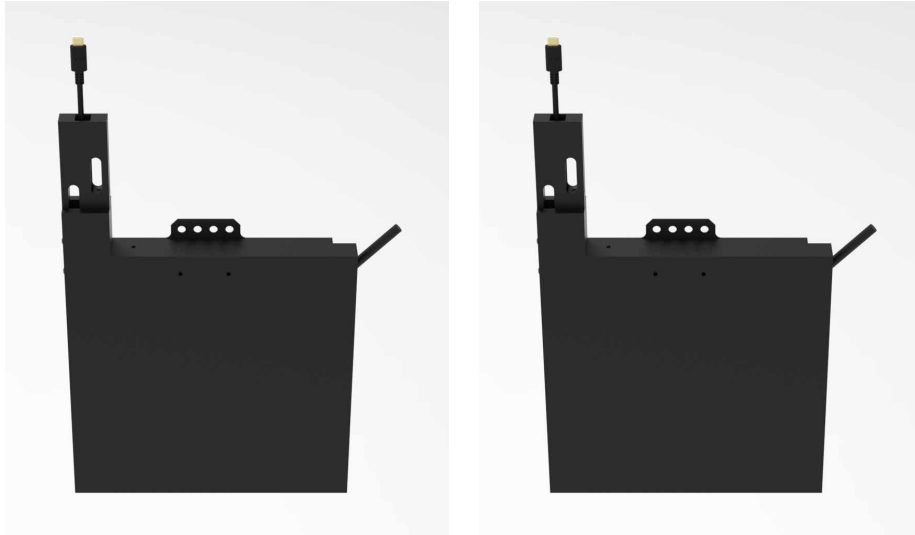
# Connectivity



## Connectivity.

### Retractors.

With the optional BX Charging PSU, the BX will supply charging power for the connected USB-C laptop/device. If using either the Ashton Bentley 2.5m Locking USB-C cable or Ashton Bentley USB-C Retractor, this will provide up to 100w. If using other cables check the specification for charging power permitted.



### Cables.

With the optional BX Charging PSU, the BX will supply charging power for the connected USB-C laptop/device. If using either the Ashton Bentley 2.5m Locking USB-C cable or Ashton Bentley USB-C Retractor, this will provide up to 100w. If using other cables check the specification for charging power permitted.



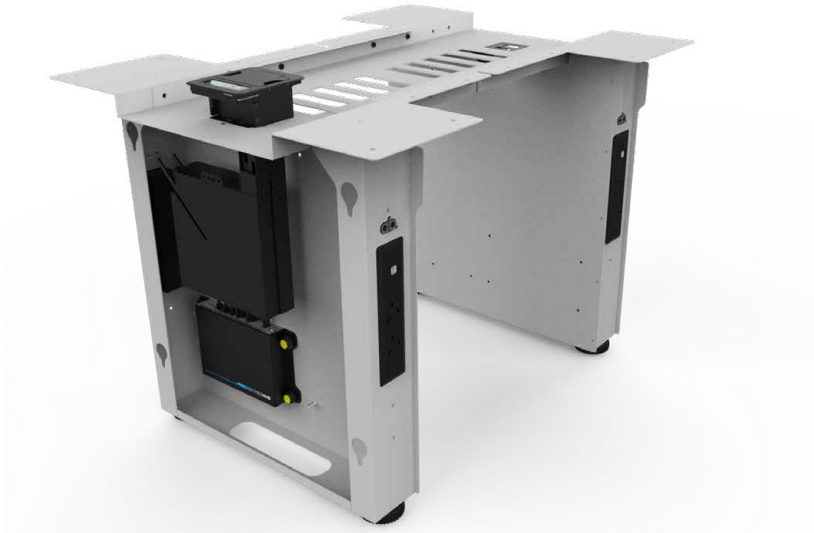
### Latching Connectors.

With the optional BX Charging PSU, the BX will supply charging power for the connected USB-C laptop/device. If using either the Ashton Bentley 2.5m Locking USB-C cable or Ashton Bentley USB-C Retractor, this will provide up to 100w. If using other cables check the specification for charging power permitted.



## Tablebox Mounting.

### AB Table mounting.



### USB-C Charging.

With the optional BX Charging PSU, the BX will supply charging power for the connected USB-C laptop/device. If using either the Ashton Bentley 2.5m Locking USB-C cable or Ashton Bentley USB-C Retractor, this will provide up to 100w. If using other cables check the specification for charging power permitted.

### 3rd party table installation.



### USB-C Charging.

With the optional BX Charging PSU, the BX will supply charging power for the connected USB-C laptop/device. If using either the Ashton Bentley 2.5m Locking USB-C cable or Ashton Bentley USB-C Retractor, this will provide up to 100w. If using other cables check the specification for charging power permitted.

### TX2 Mounting Option.

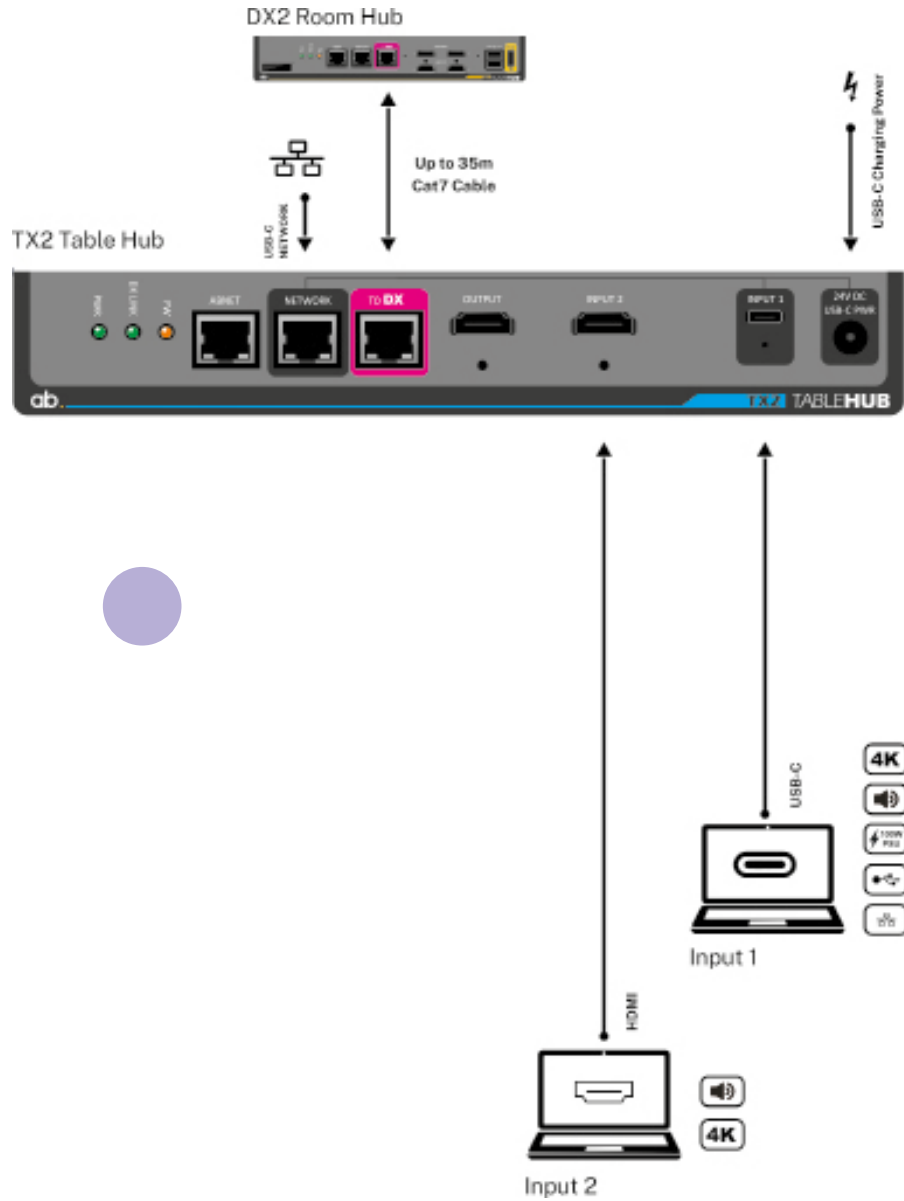
With the optional BX Charging PSU, the BX will supply charging power for the connected USB-C laptop/device.



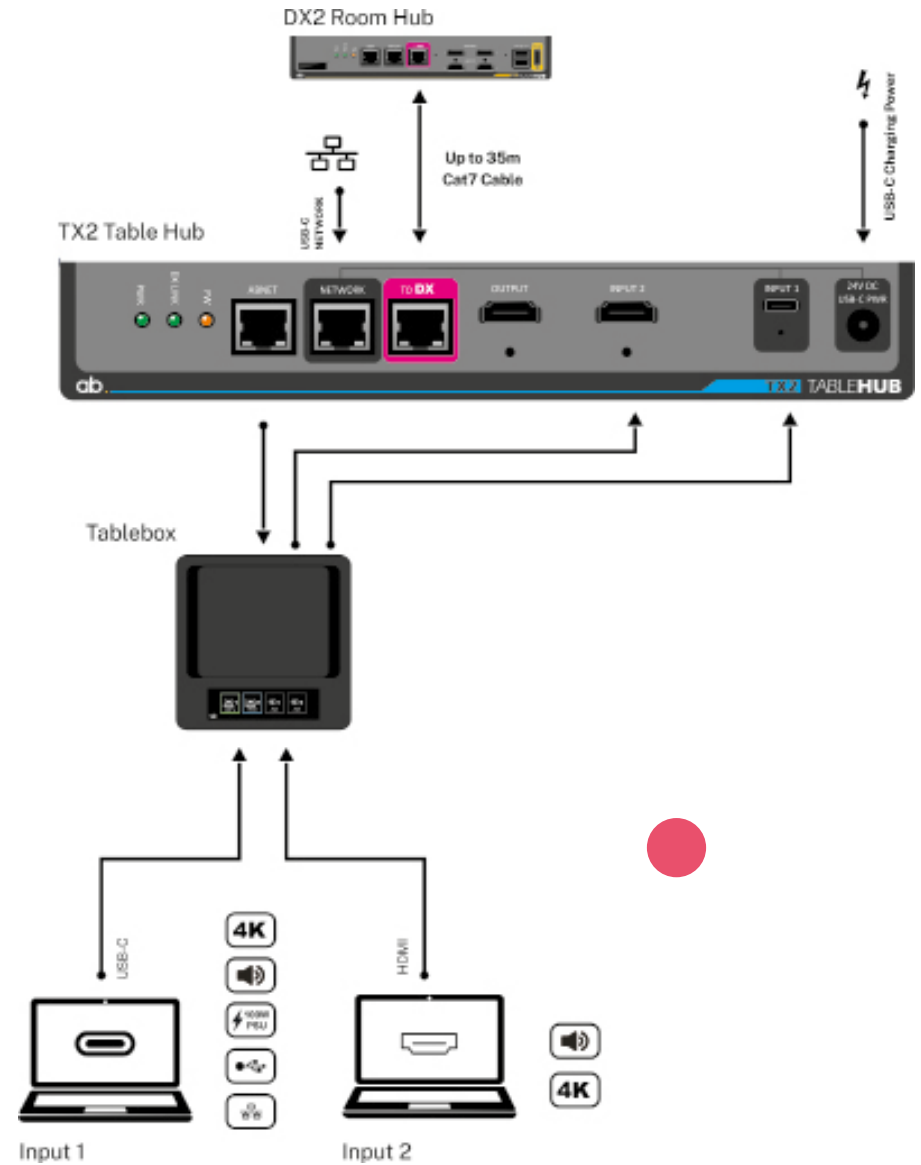


# TX2 Connectivity.

## Without Tablebox

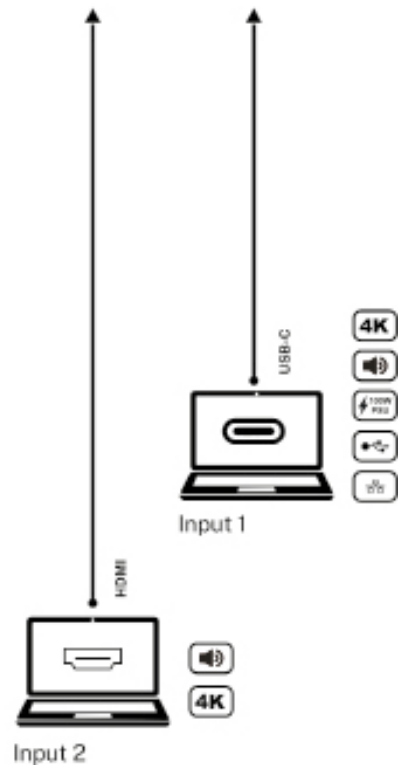


## With Tablebox

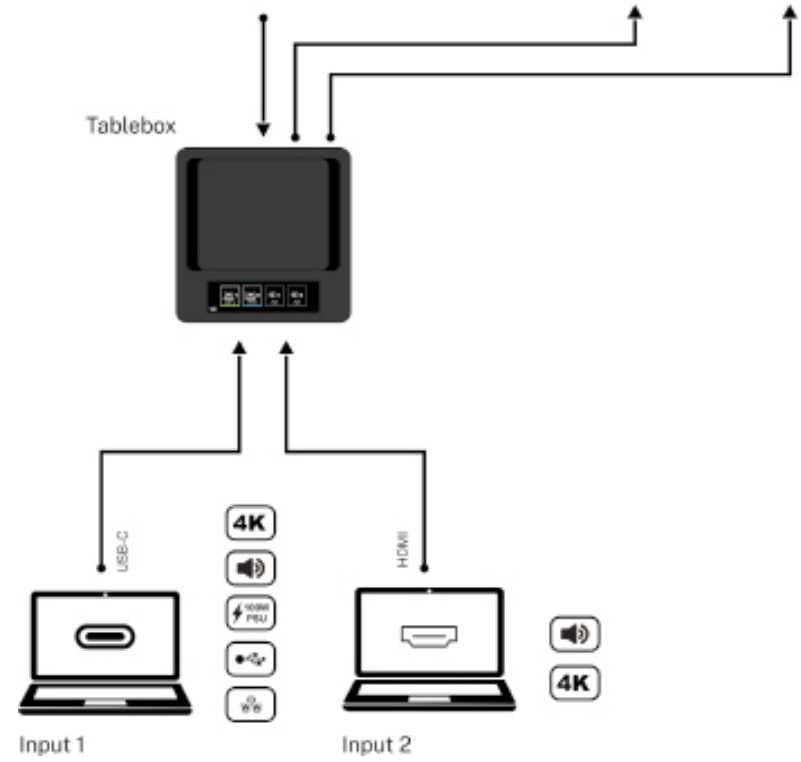


# 3rd Party AV Equipment Connectivity.

Without Tablebox



With Tablebox



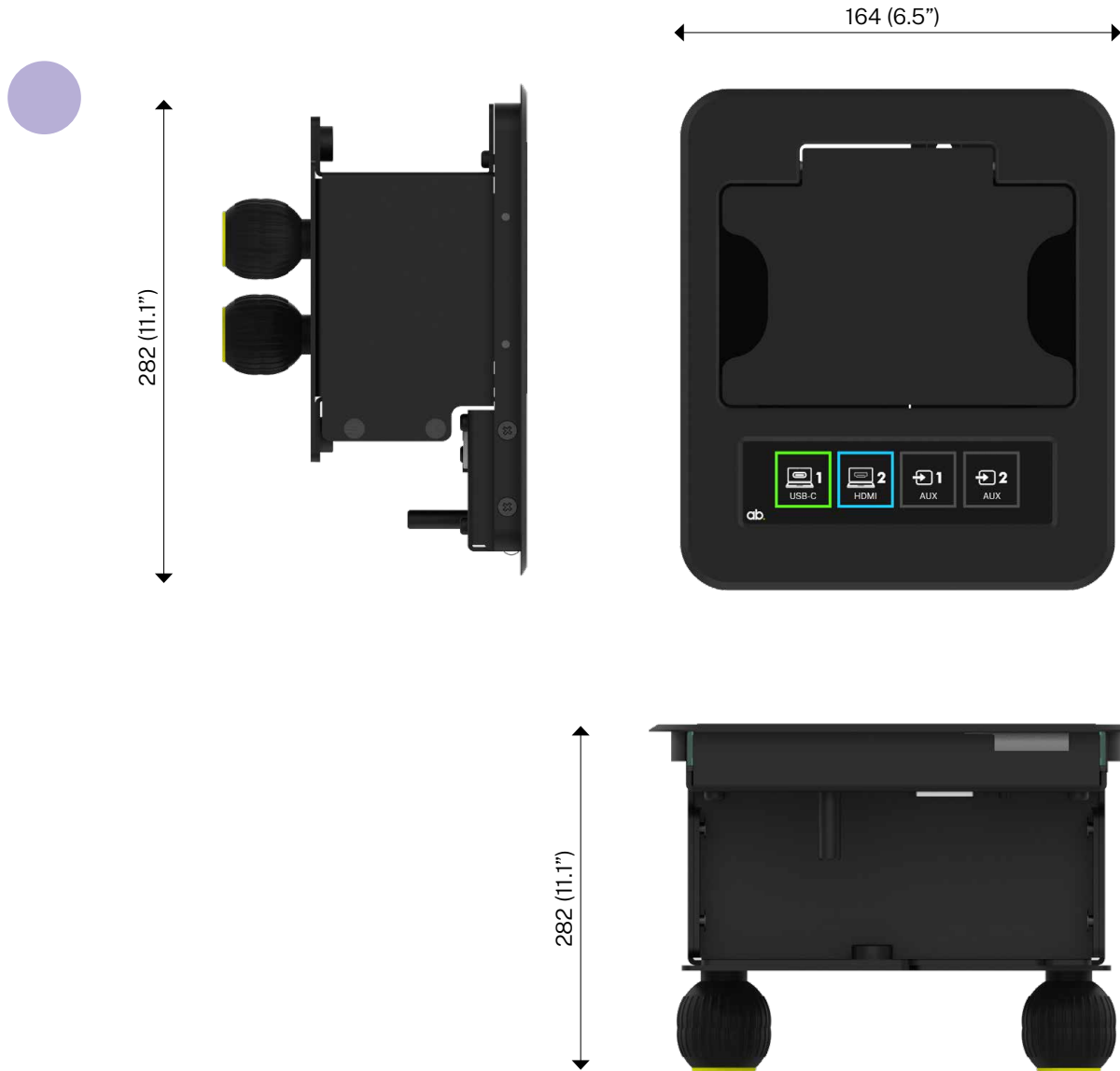


# Mechanical Data



# Mechanical Dimensions.

Tablebox Only

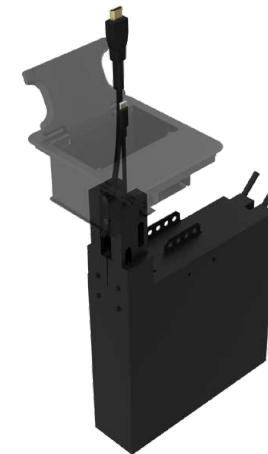
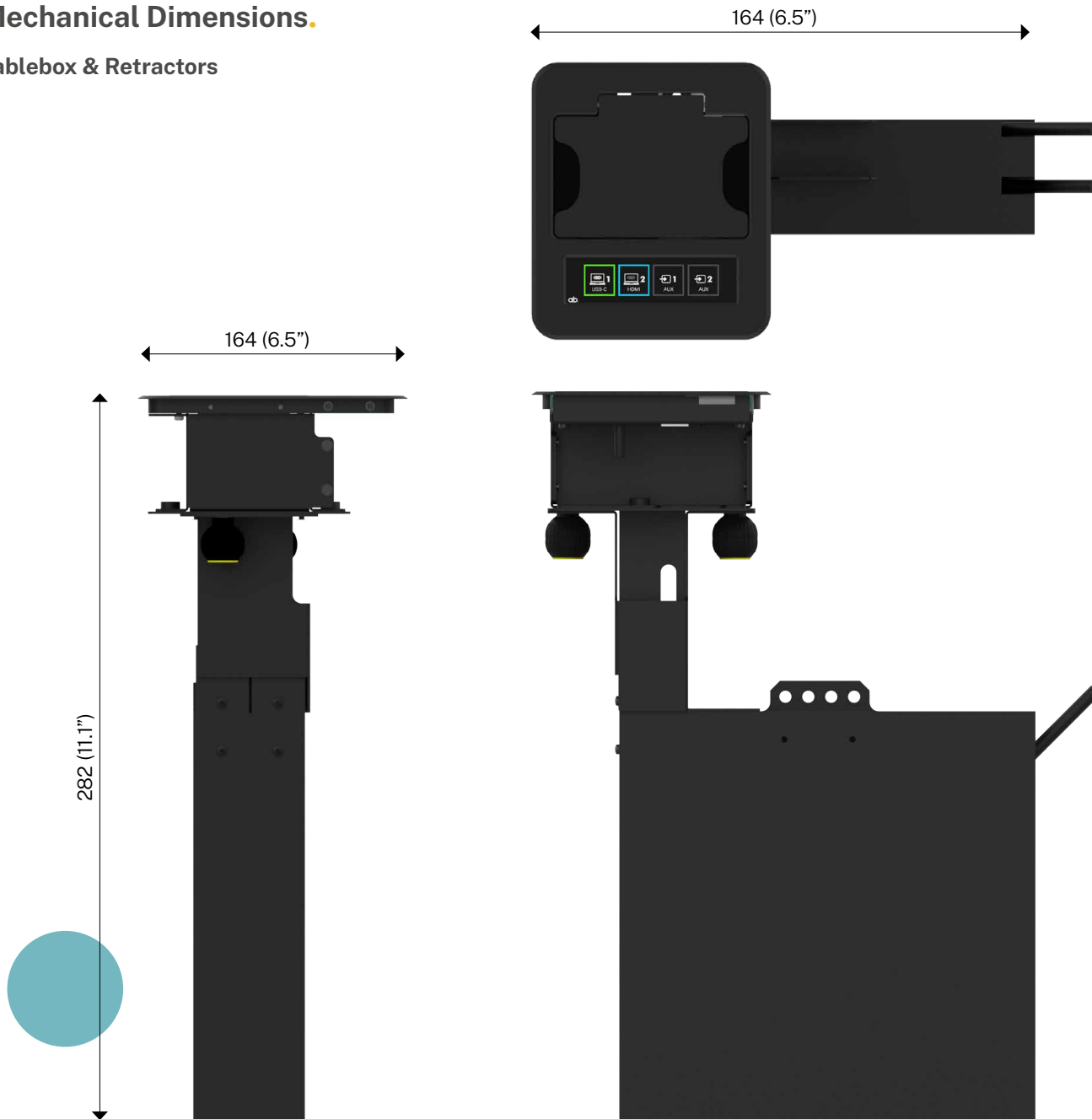


## Cable Clamp.

With the optional BX Charging PSU, the BX will supply charging power for the connected USB-C laptop/device.

## Mechanical Dimensions.

### Tablebox & Retractors

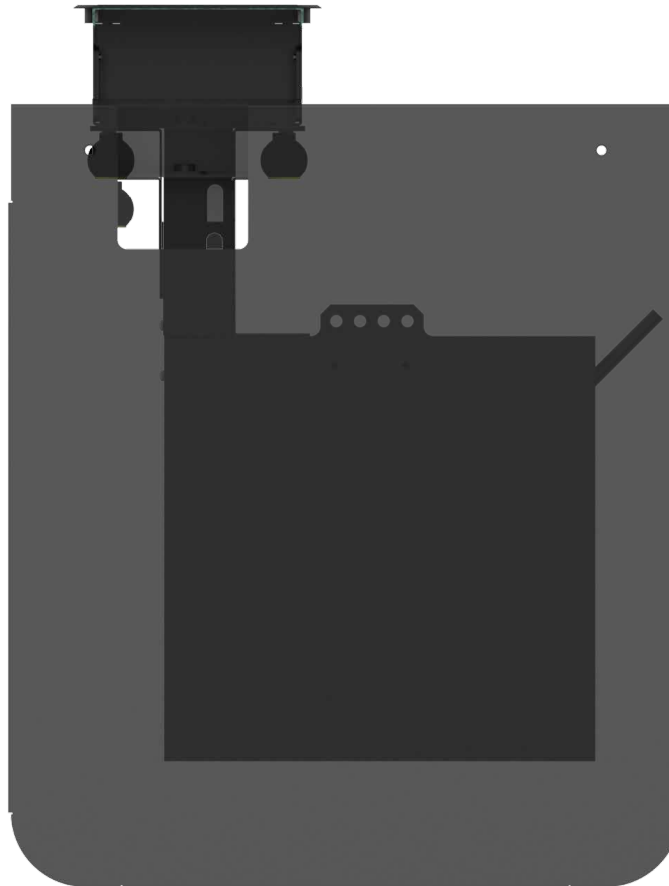
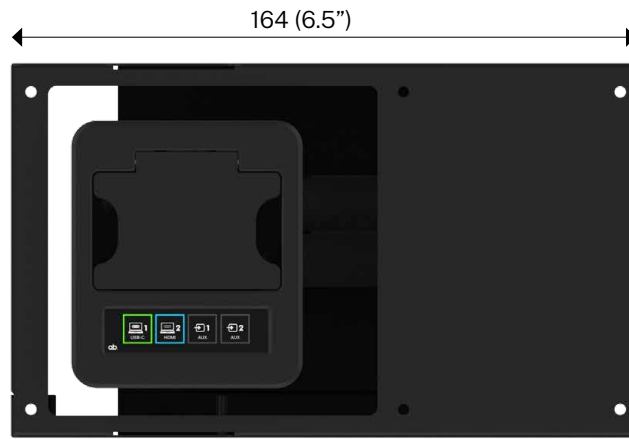
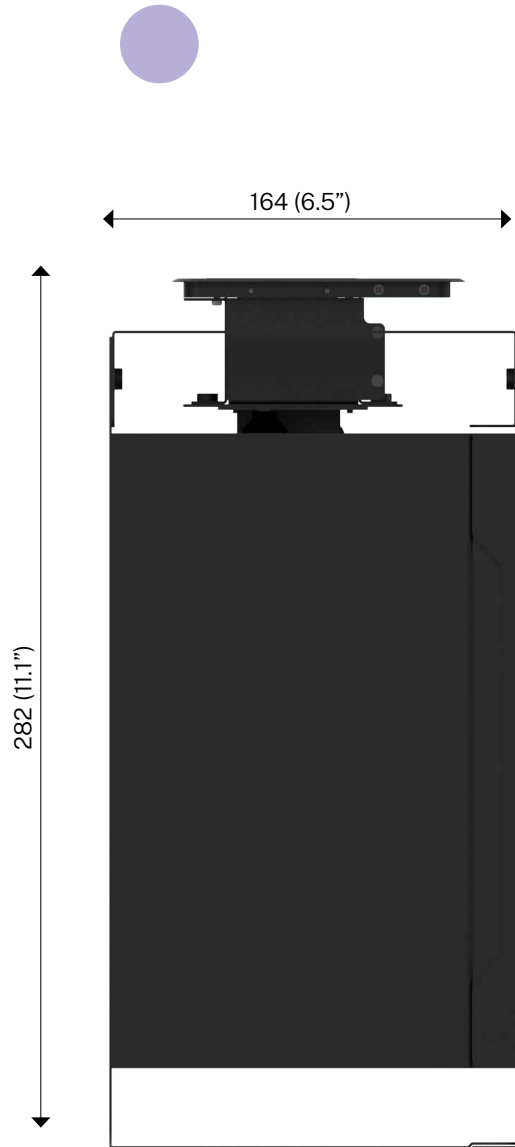


### Retractors.

With the optional BX Charging PSU, the BX will supply charging power for the connected USB-C laptop/device.

## Mechanical Dimensions.

### Tablebox, Retractors & Shroud



## Technical Overview.

- HDMI Compliance HDMI 2.0b
- HDCP Compliance HDCP 2.2
- DP Compliance Display Port 1.2a
- Video Bandwidth USB-C: 5.4 Gbps  
HDMI: 18 Gbps
- Video Resolution 480i-1080p50/60Hz, 4Kx2K@24/30Hz, 4k2k@60Hz
- Color Space RGB, YCbCr 4:4:4 / 4:2:2, YUV 4:2:0
- Color Depth 8/10/12-bit (1080P@60Hz)  
8-bit (4K@60Hz)
- HDR Support
- HDMI Audio Formats LPCM, Dolby Digital/Plus/EX, Dolby True HD, DTS, DTS-EX, DTS-96/24, DTS High Res, DTS-H Master Audio, DSD
- Transmission Distance Max distance 1080P & 4K 35m (100ft)
- ESD Protection Human body model — ±8kV (Air-gap discharge) & ±4kV (Contact discharge)

## Transmitter

- Inputs 1 x HDMI Type A [19-pin female]  
1 x USB-C
- Controls 1 x RJ45, 8-pin female (toVXR)  
1x USB-C (for charging only)  
1x RS-232 [3-pin phoenix connector]  
1x SERVICE [Micro USB, Update port]

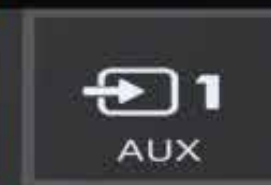
## Receiver

- Inputs 1x HDMI IN [Type A, 19-pin female]  
1 x RJ45, 8-pin female (to VXT)
- Outputs 1x HDMI OUT [Type A, 19-pin female]  
1x AUDIO OUT [Phoenix jack]
- Controls 1x RS-232 [3-pin phoenix connector]  
1x SERVICE [Micro USB, Update port]

## Mechanical Overview.

- Housing Metal Enclosure
- Color Black
- Weight VXT Transmitter: 1.5Kg,  
VXR Receiver: 1Kg
- Dimensions See Mechanical Dimensions (Pg13/14)
- Power Supply Powered by an external 24v power supply (supplied)
- Power Consumption 24W Maximum
- Operating Temperature 32-104°F / 0-40°C
- Storage Temperature 4-140°F / -20-60°C
- Relative Humidity 20-90% RH (no condensation)

# Accessories



ab.

## Optional Accessories.

### Under-Table Tablebox Enclosure .



With the optional BX Charging PSU, the BX will supply charging power for the connected USB-C laptop/device.

If using either the Ashton Bentley 2.5m Locking USB-C cable or Ashton Bentley USB-C Retractor, this will provide up to 100w. If using other cables check the specification for charging power permitted.

### Tablebox Touch Panel Module.



With the optional BX Charging PSU, the BX will supply charging power for the connected USB-C laptop/device.

If using either the Ashton Bentley 2.5m Locking USB-C cable or Ashton Bentley USB-C Retractor, this will provide up to 100w. If using other cables check the specification for charging power permitted.

### Tablebox Retractors.



With the optional BX Charging PSU, the BX will supply charging power for the connected USB-C laptop/device.

If using either the Ashton Bentley 2.5m Locking USB-C cable or Ashton Bentley USB-C Retractor, this will provide up to 100w. If using other cables check the specification for charging power permitted.

### Cables.



With the optional BX Charging PSU, the BX will supply charging power for the connected USB-C laptop/device.

If using either the Ashton Bentley 2.5m Locking USB-C cable or Ashton Bentley USB-C Retractor, this will provide up to 100w. If using other cables check the specification for charging power permitted.



## Contact Us.



**UK Head Office**  
23 Schooner Court  
Crossways Business Park  
Dartford  
DA2 6NW  
United Kingdom

**t:** +44 (0)207 100 1200  
**e:** [spaces@ashtonbentley.com](mailto:spaces@ashtonbentley.com)  
**w:** [www.ashtonbentley.com](http://www.ashtonbentley.com)

## Want to know more?

Ashton Bentley Collaboration Spaces Ltd  
[www.ashtonbentley.com](http://www.ashtonbentley.com) | [spaces@ashtonbentley.com](mailto:spaces@ashtonbentley.com) | +44 (0)207 100 1200

© 2011-2022 Ashton Bentley Group Limited. All rights reserved. Ashton Bentley®, the Ashton Bentley logo and the names and marks associated with Ashton Bentley's products are trademarks and/or service marks of Ashton Bentley Collaboration Spaces Ltd, and are registered and/or common law marks in the United Kingdom, United States and various other countries. All other trademarks are property of their respective owners. No portion here of may be reproduced or transmitted in any form or by any means, for any purpose other than the recipient's personal use, without the express written permission of Ashton Bentley.

Illustrations in this document might look different from your product. Content is subject to change without notice.

3rd party manufacturers may make periodic changes to the operational behaviour and features of their product(s). Please refer to their resources for the latest information.